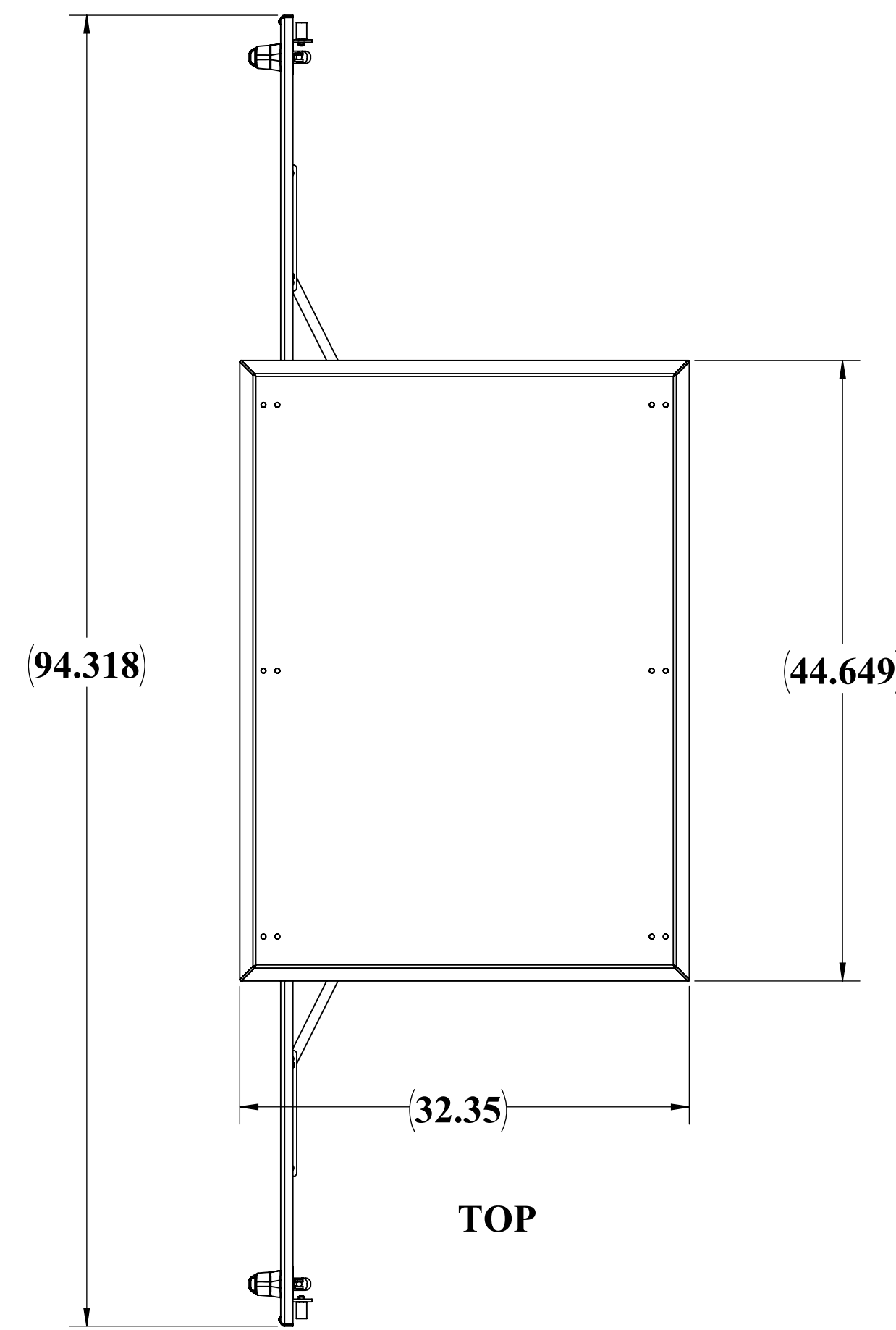
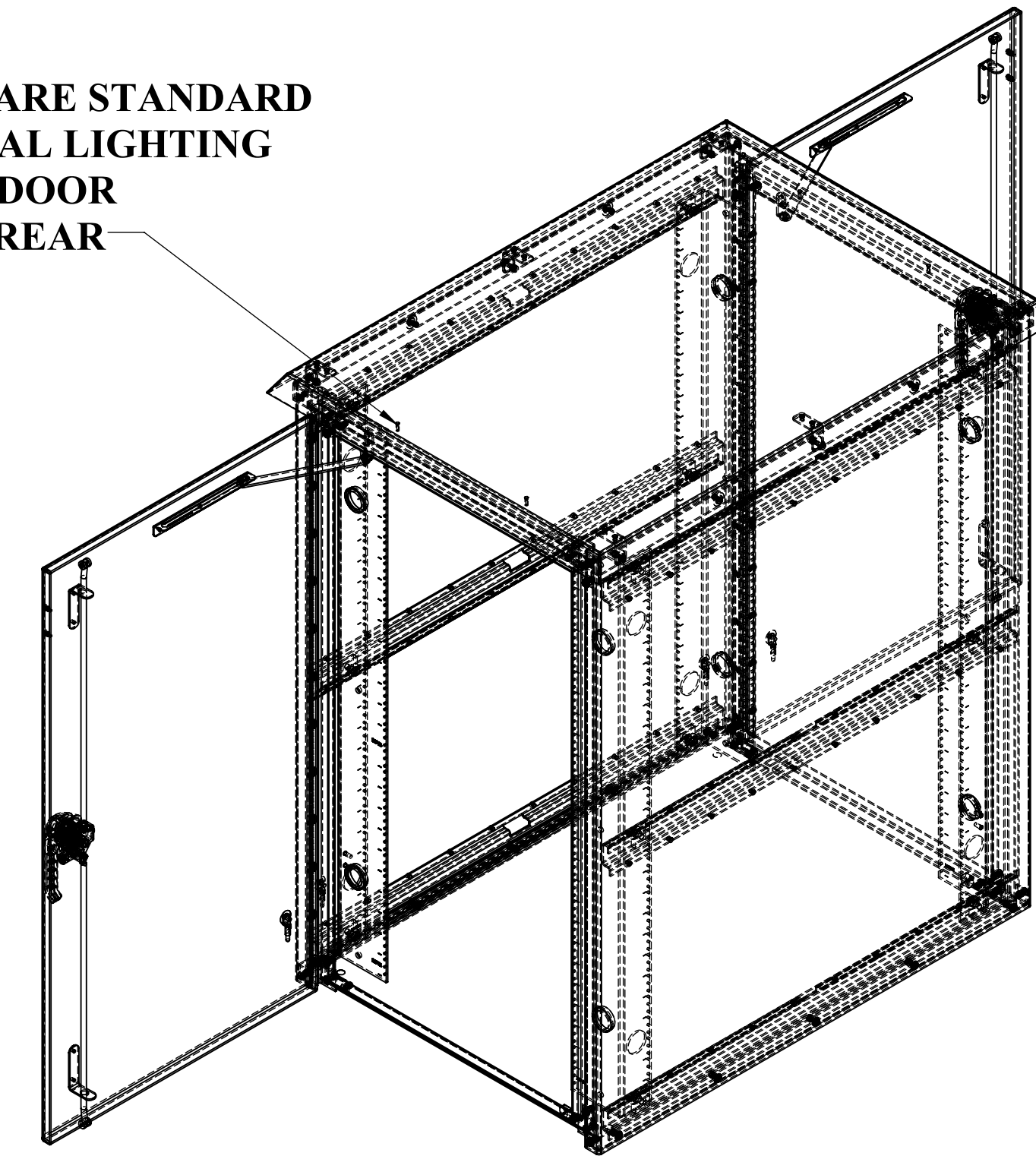


WEB DRAWING (NOT FOR FABRICATION)

REVISIONS		
REV.	DESCRIPTION	DATE
A	CREATED DRAWING PER DR-02057	7/18/2019



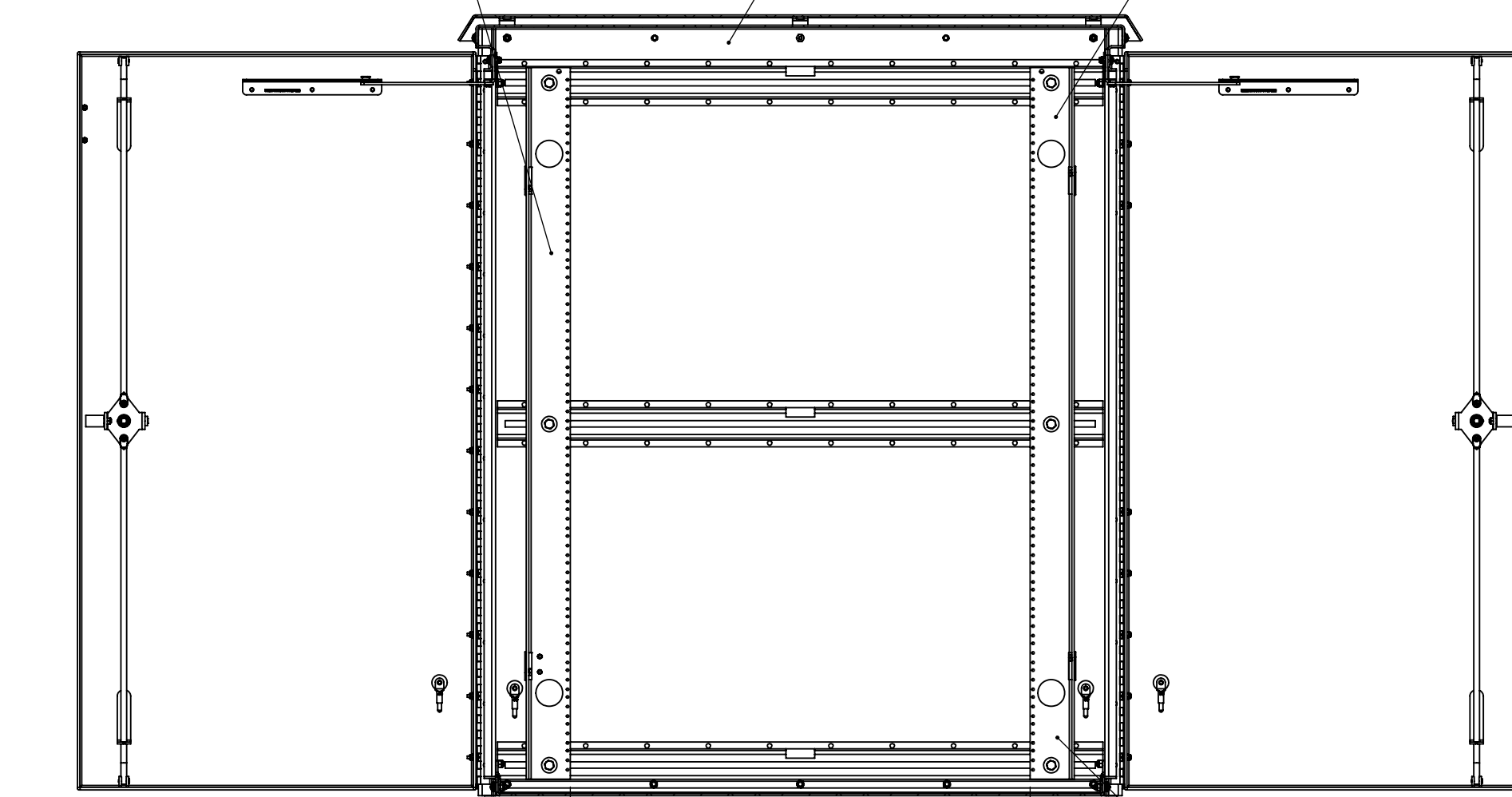
STANDOFFS ARE STANDARD FOR OPTIONAL LIGHTING OVER EACH DOOR FRONT AND REAR



FRONT SET OF RAILS ARE STANDARD

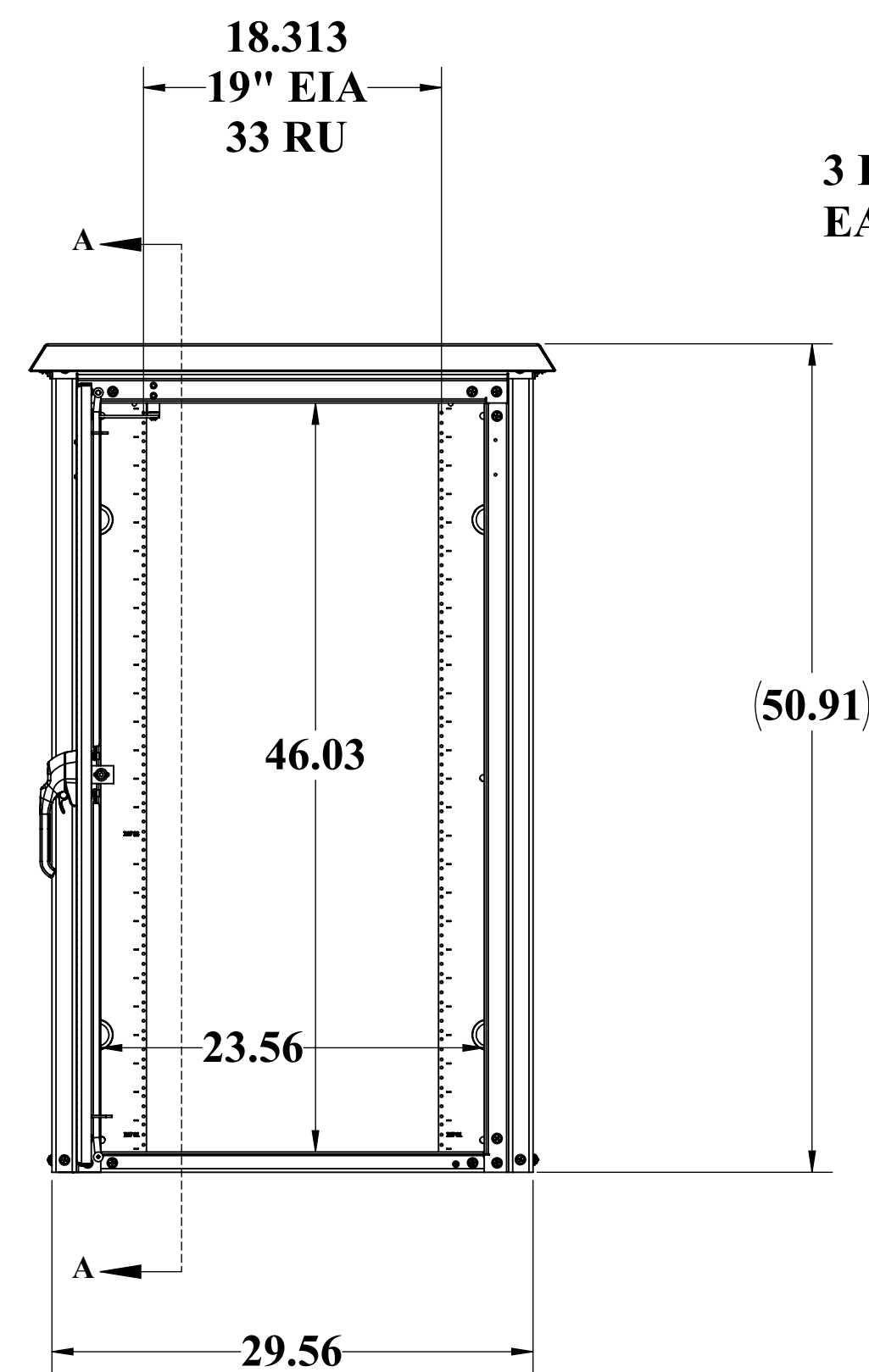
NO CEILING LOUVERS

OPTIONAL REAR SET OF RAILS



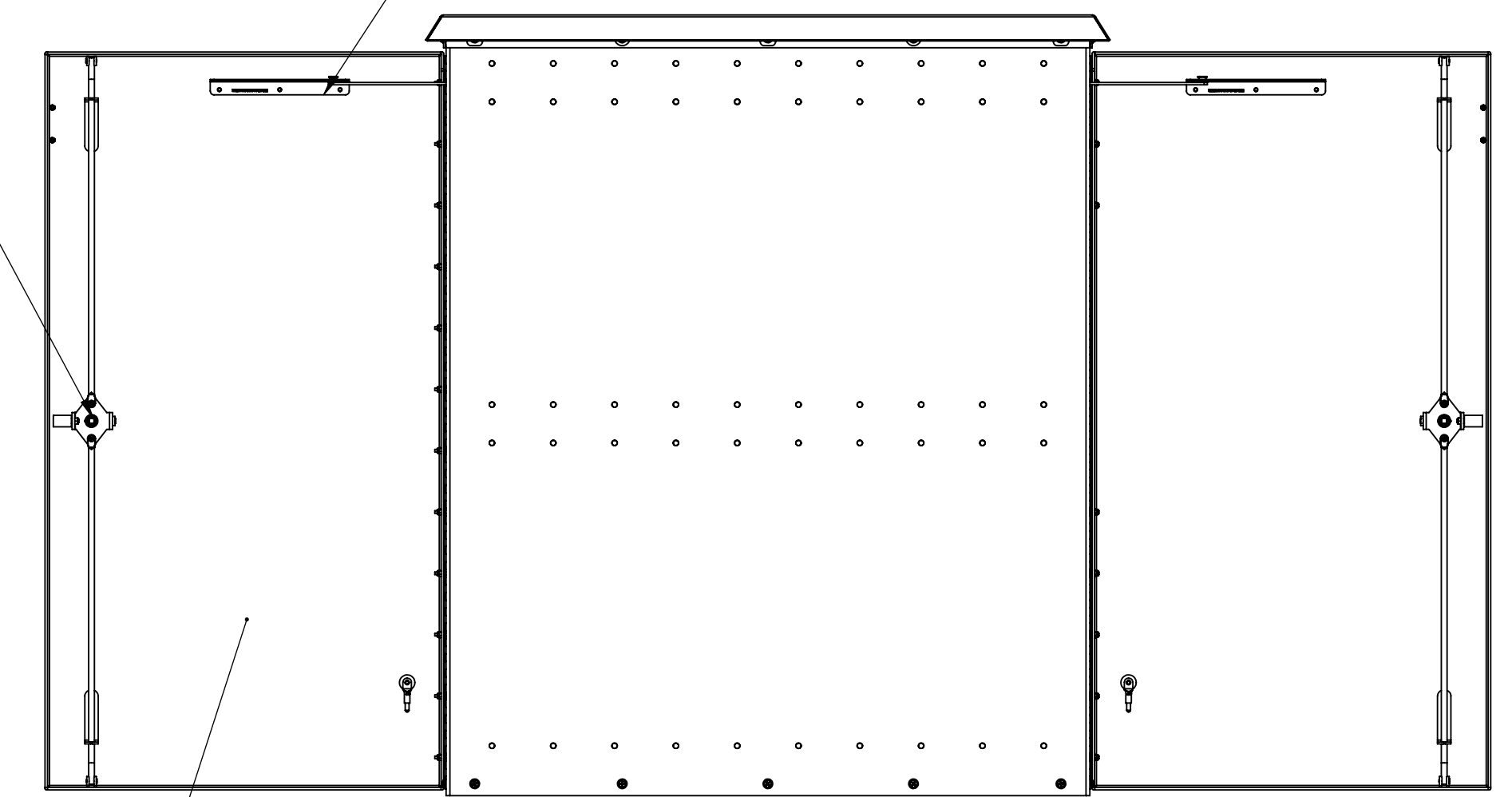
SECTION A-A
SCALE 1 : 10

R-STRUTS FOR RAIL ADJUSTMENTS



FRONT

3 POINT LOCKING EACH DOOR



RIGHT SIDE

NO FILTERED LOUVERS

STANDARD WINDLOCKS FOR EACH DOOR

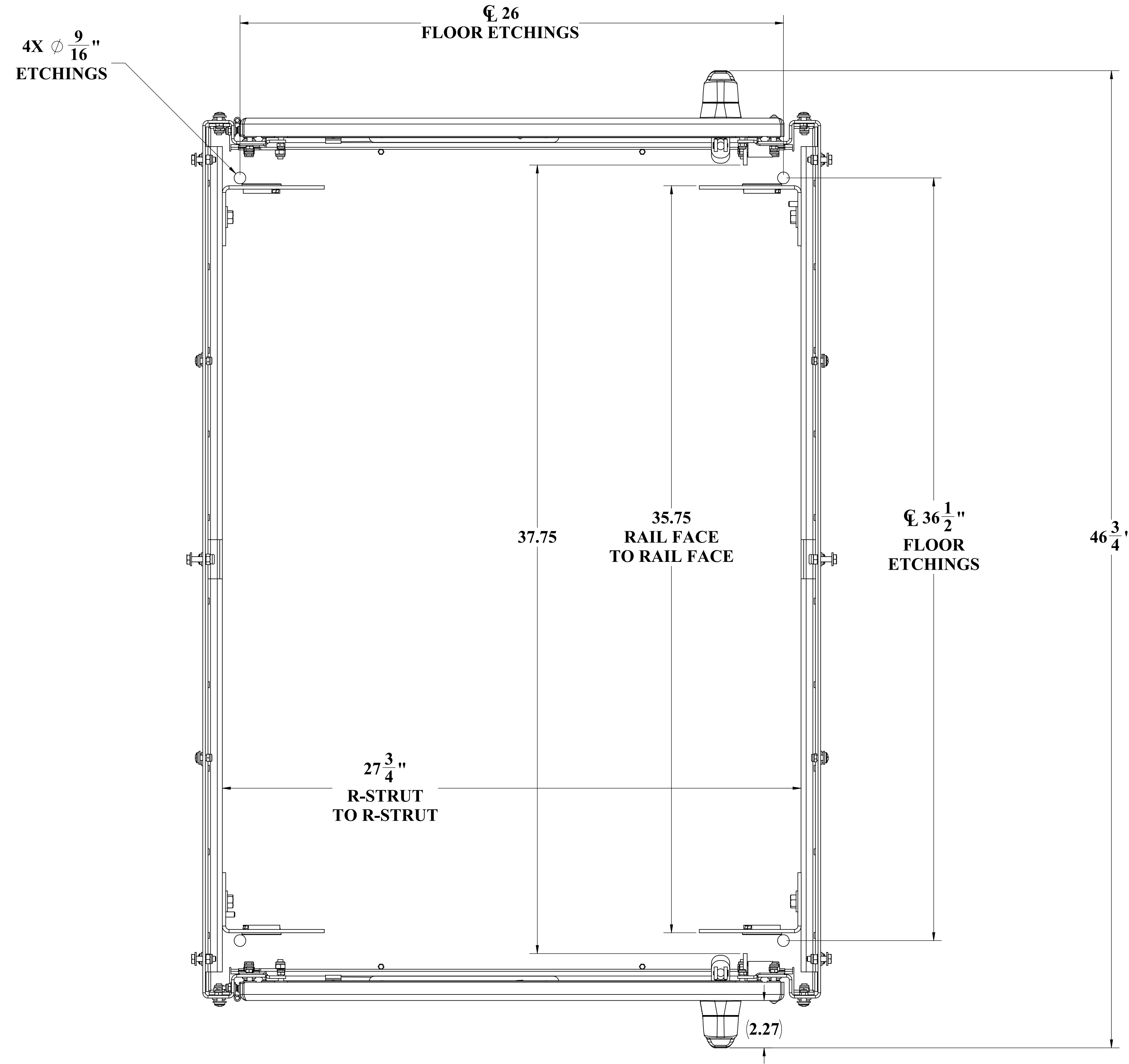
WEB DRAWING (NOT FOR FABRICATION)

UNLESS OTHERWISE SPECIFIED:		NAME	DATE	DDB Unlimited Inc.				
DIMENSIONS ARE IN INCHES				Model by:	DDR	7/18/2019	WOD-XXXX-UL50	
ANGULAR:	±1°	Drawn by:	Geron E.	7/18/2019	WOD, 50"H, DDX-UL50			
FRACTIONAL/NO DECIMAL:	±0.1250	Sales.Rep.:	sheldon	07/18/19	SIZE	Cage Code:	DWG. NO.:	REV
ONE PLACE DECIMAL:	±0.0625	Q.A. Appr.:	ClarkK	07/19/19	D	385Y5	02057	A
TWO PLACE DECIMAL:	±0.03125	Prod.Mgr.:	ClarkK	07/19/19	SCALE: 1:12	WEIGHT: 197 lbs.	SHEET 1 OF 3	
THREE PLACE DECIMAL:	±0.015625	MATERIAL: 5052-H32-0.125" ASTM-B209-04		Control Number:				
DO NOT SCALE DRAWING								

PROPRIETARY AND CONFIDENTIAL
THE INFORMATION CONTAINED HEREIN IS THE SOLE PROPERTY OF DDB Unlimited, INC. ANY REPRODUCTION IN PART OR AS A WHOLE WITHOUT THE WRITTEN PERMISSION OF DDB Unlimited, INC. IS PROHIBITED.

DDB FORM: 7-1-2 REV.F
05/02/19

WEB DRAWING (NOT FOR FABRICATION)



TOP VIEW
NO CEILING OR ALUMASHIELD SHOWN

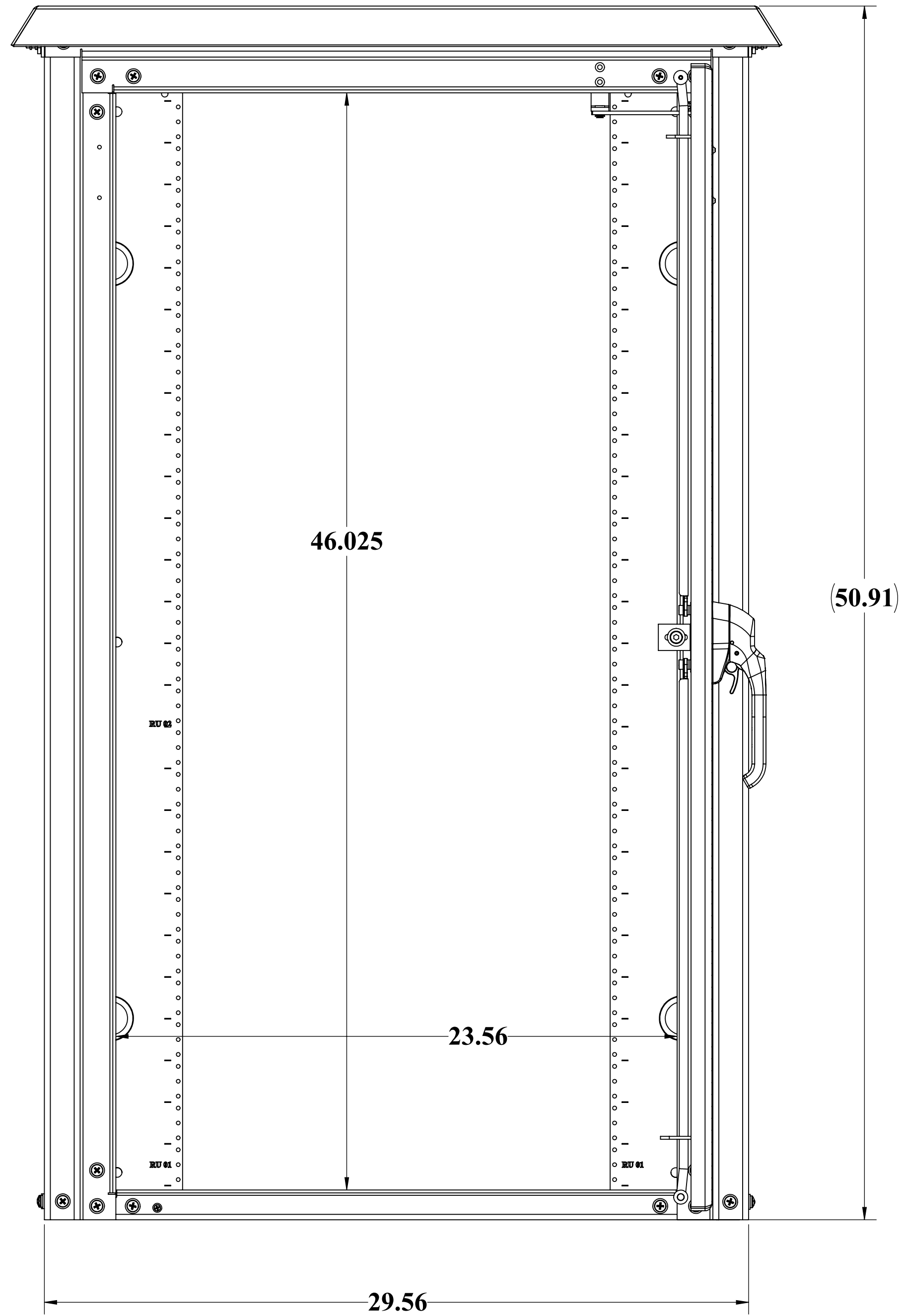
WEB DRAWING (NOT FOR FABRICATION)

UNLESS OTHERWISE SPECIFIED:			
DIMENSIONS ARE IN INCHES			
ANGULAR:	1°		
FRACTIONAL DECIMAL:	±0.125		
ONE PLACE DECIMAL:	±0.0625		
TWO PLACE DECIMAL:	±0.03125		
THREE PLACE DECIMAL:	±0.015625		
ALL HOLES:	±0.0031		
MATERIAL: 5052-H32-0.125" ASTM-B209-04		DDB Unlimited Inc.	
PAINT: DIAMOND VOGEL, BEIGE GLOSS TEXTURE FT-420		DDX-UL50E-CLOSED	
DO NOT SCALE DRAWING			
SIZE	Cage Code:	DWG. NO.:	REV
D	385Y5	02057	A
SCALE: 1:12		WEIGHT: 107 lbs.	
			SHEET 2 OF 3

PROPRIETARY AND CONFIDENTIAL
 THIS DRAWING IS THE SOLE PROPERTY OF DDB Unlimited, INC. ANY
 REPRODUCTION IN PART OR AS A WHOLE WITHOUT THE WRITTEN PERMISSION OF DDB Unlimited, INC. IS PROHIBITED.

DDB FORM: 7.1-2-REV:K 08/02/17

WEB DRAWING (NOT FOR FABRICATION)



BACK VIEW
GASKET NOT SHOWN

WEB DRAWING (NOT FOR FABRICATION)

UNLESS OTHERWISE SPECIFIED:		DDB Unlimited Inc.	
DIMENSIONS ARE IN INCHES		WOD-50DDX-UL50	
ANCHOR:		WOD, 50"H, DDX-UL50	
FRACTIONAL NO DECIMAL: ±.0125		SIZE	Cage Code: DWG. NO.: REV
ONE PLACE DECIMAL: ±.00625		D	385Y5 02057 A
TWO PLACE DECIMAL: ±.003125		SCALE: 1:12 WEIGHT: 197 lbs. SHEET 3 OF 3	
THREE PLACE DECIMAL: ±.0015625			
ALL HOLES: ±.003125			
MATERIAL: 5052-H32-O.125" ASTM-B209-04			
PAINT: DIAMOND VOGEL, BEIGE GLOSS TEXTURE FT-8339			
DO NOT SCALE DRAWING			

PROPRIETARY AND CONFIDENTIAL
THIS DRAWING IS THE SOLE PROPERTY OF DDB Unlimited, INC. ANY
REPRODUCTION IN PART OR AS A WHOLE WITHOUT THE WRITTEN PERMISSION OF DDB Unlimited, INC. IS PROHIBITED.

DDB FORM: 7.1-2-REV:K 08/02/17