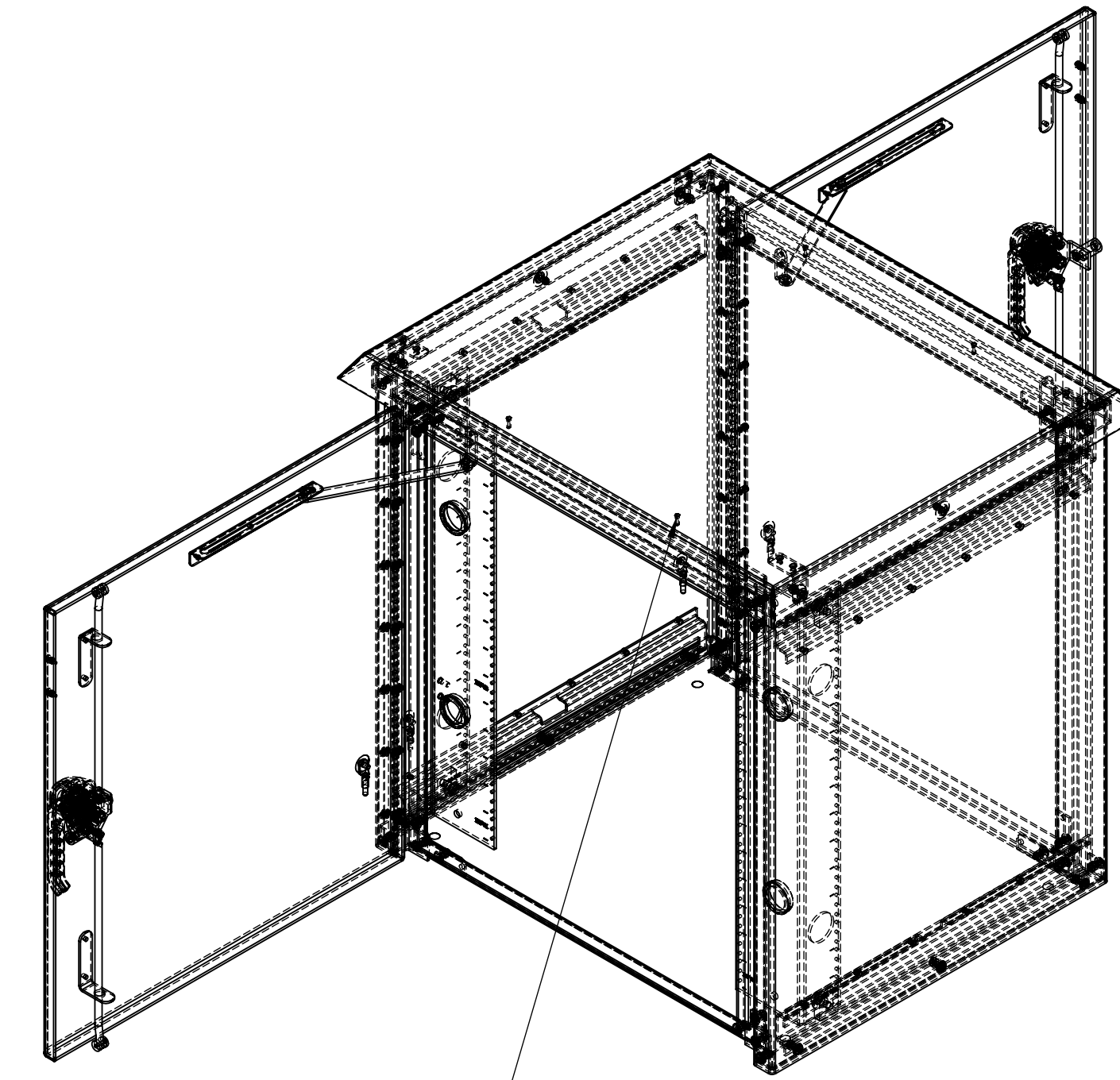
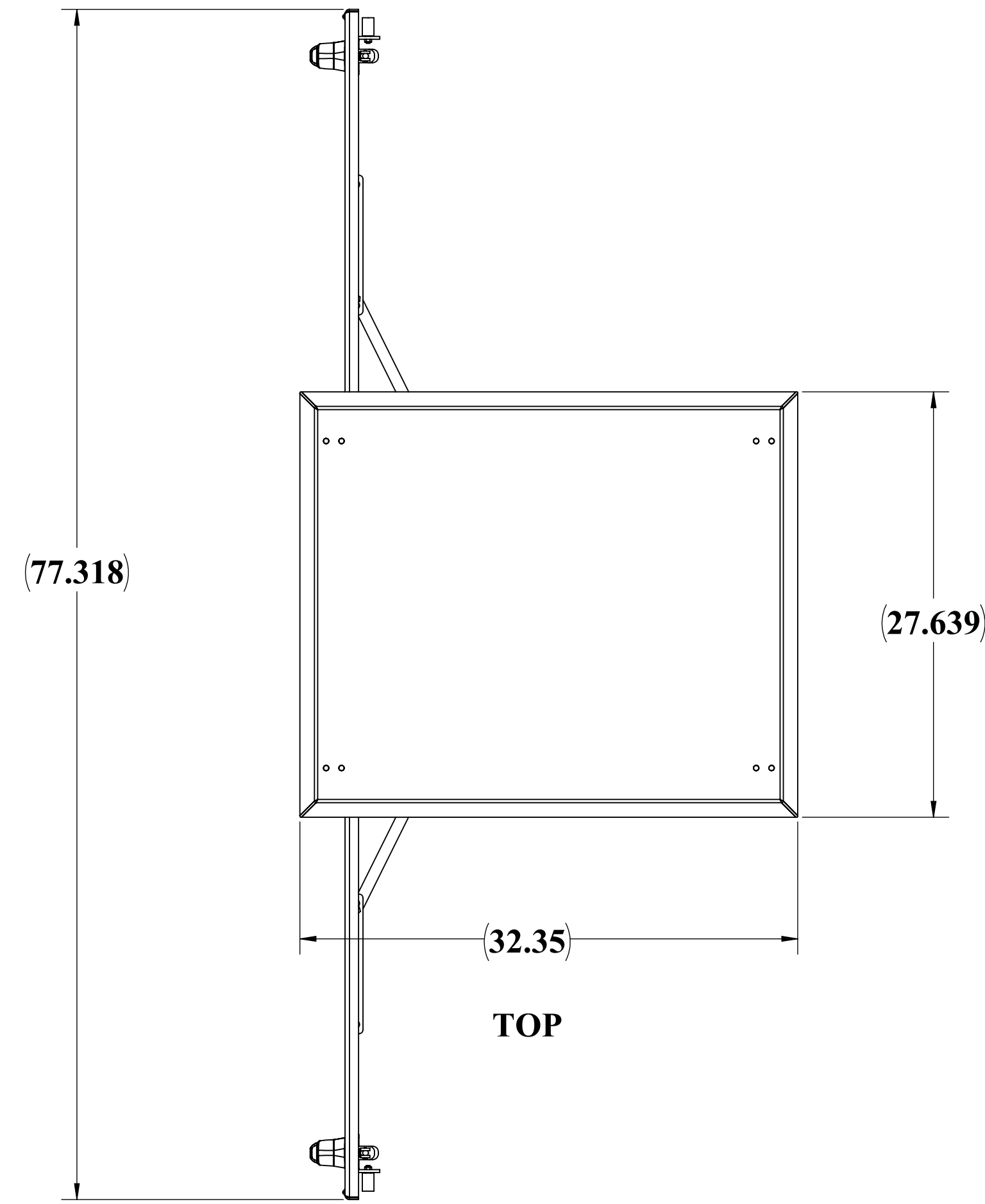


WEB DRAWING (NOT FOR FABRICATION)

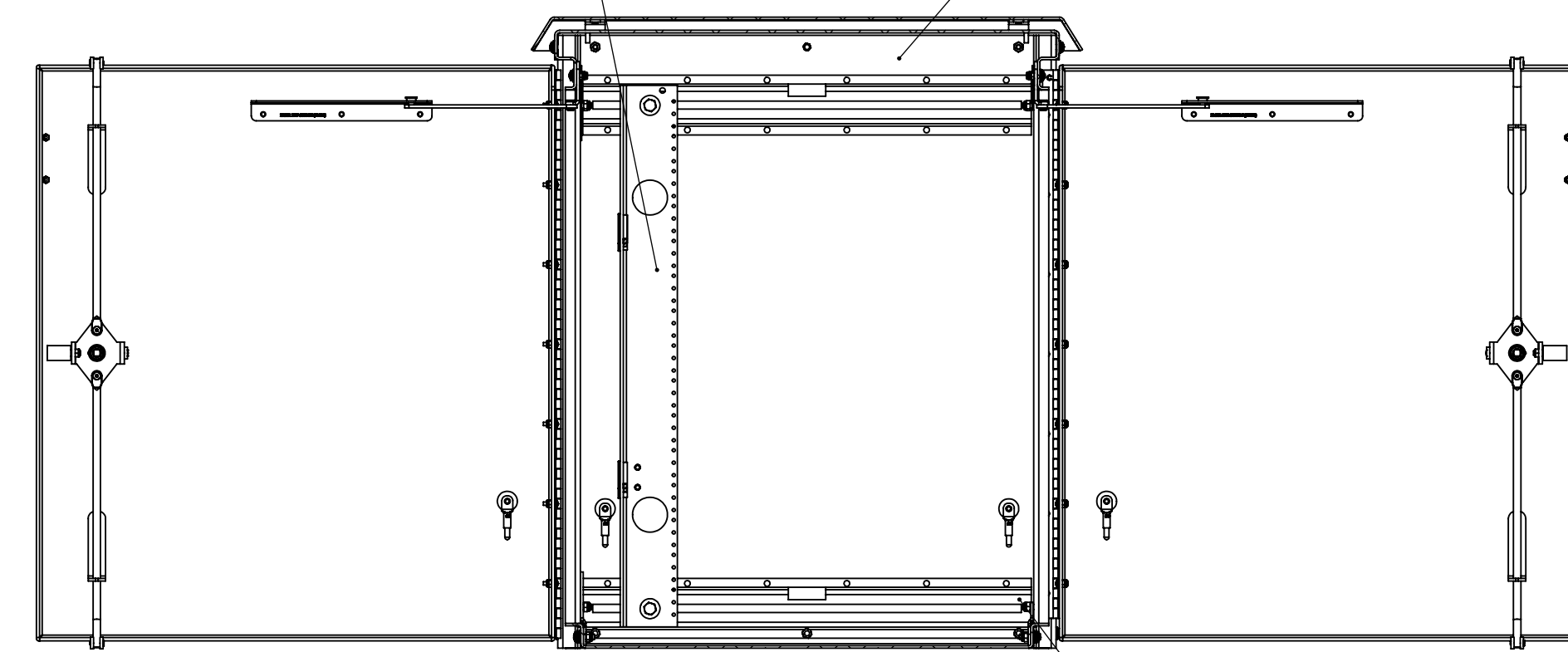
REVISIONS		
REV.	DESCRIPTION	DATE
A	CREATED DRAWING PER DR-02052	7/16/2019



STANDOFFS ARE STANDARD FOR OPTIONAL LIGHTING OVER EACH DOOR FRONT AND REAR

FRONT SET OF RAILS ARE STANDARD

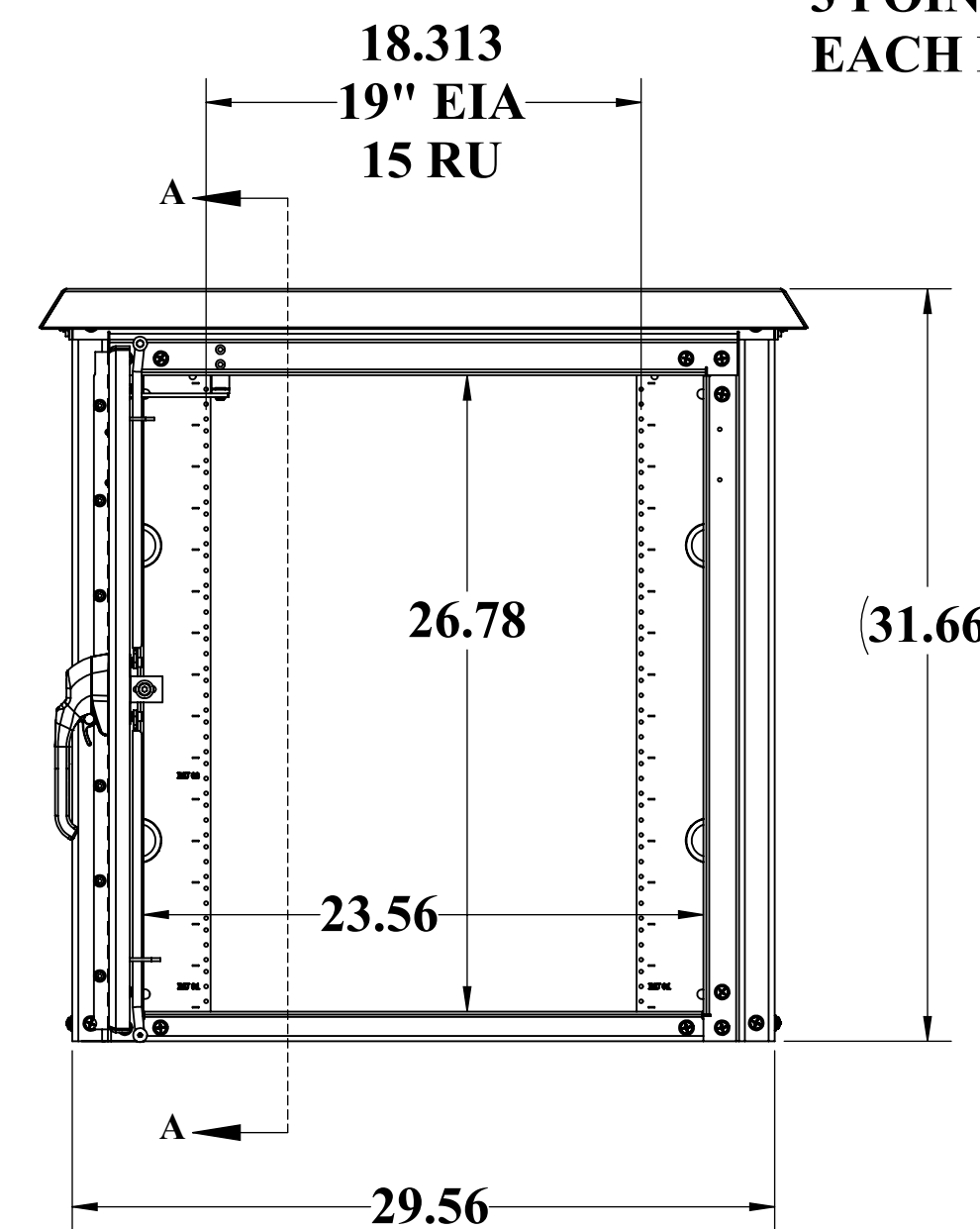
NO CEILING LOUVERS



SECTION A-A SCALE 1:8

R-STRUTS FOR RAIL ADJUSTMENTS

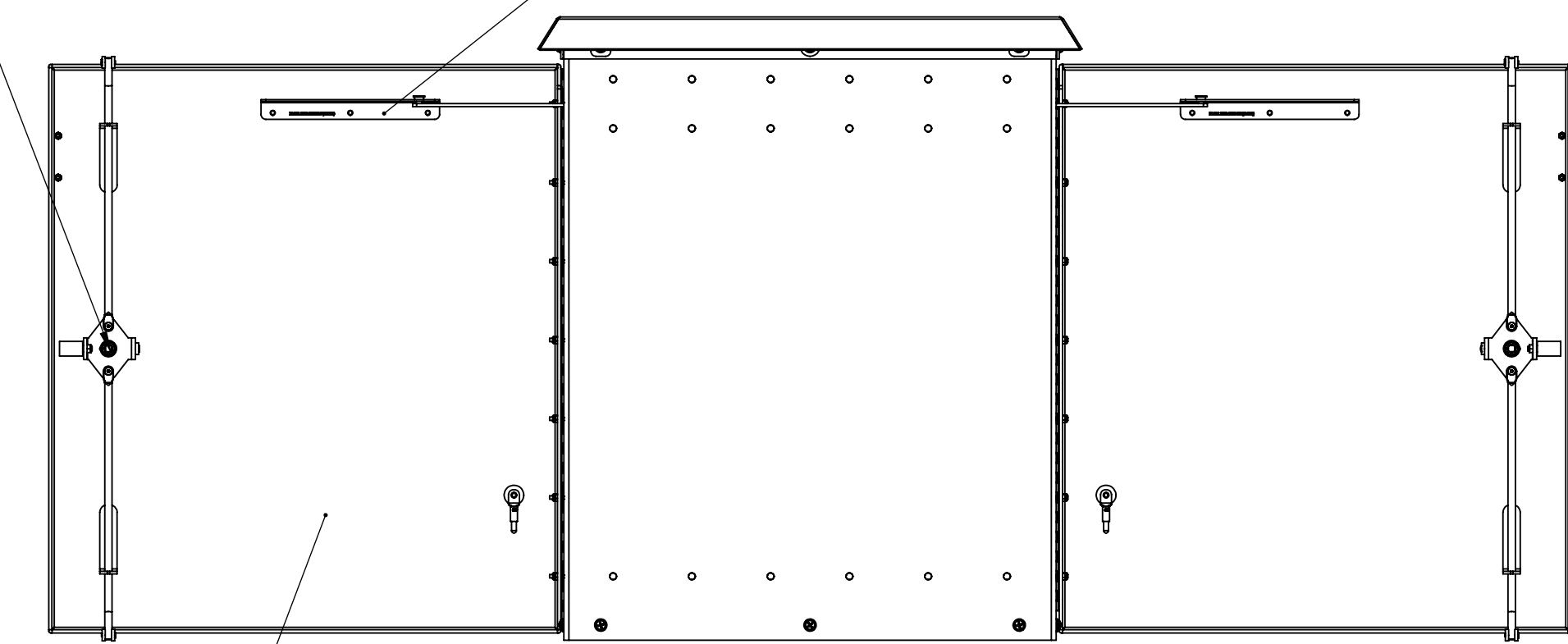
3 POINT LOCKING EACH DOOR



FRONT

NO FILTERED LOUVERS

STANDARD WINDLOCKS FOR EACH DOOR



RIGHT SIDE

WEB DRAWING (NOT FOR FABRICATION)

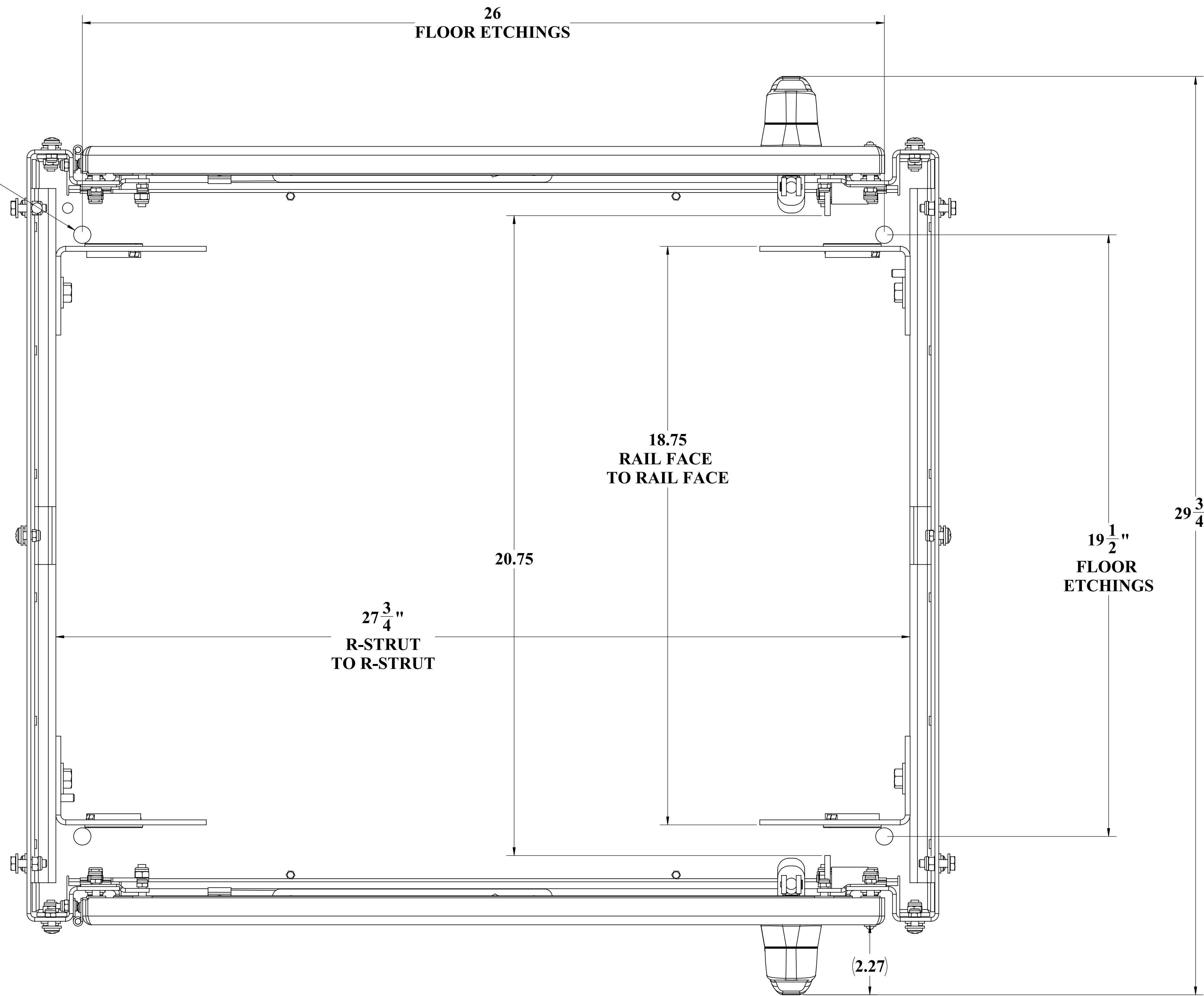
UNLESS OTHERWISE SPECIFIED:		NAME	DATE	DDB Unlimited Inc.					
DIMENSIONS ARE IN INCHES		Model by:	DDB	WOD-XXXX-UL50		SIZE	Cage Code:	DWG. NO.:	REV
ANGULAR:	±1°	Drawn by:	Gerion E.	WOD, 30"H, DX-UL50		D	385Y5	02052	A
FRACTIONAL/NO DECIMAL:	±0.1250	Sales.Rep.:	tray	Q.A. Appr.:	07/18/19	Prod.Mgr.:	ClarkK	07/19/19	Control Number:
ONE PLACE DECIMAL:	±0.0025			SCALE:	1:12	WEIGHT:	100 lbs.	SHEET 1 OF 3	
TWO PLACE DECIMAL:	±0.0010								
THREE PLACE DECIMAL:	±0.0005								
ALL HOLES: ±0.0010									
MATERIAL: 5052-H32-0.125" ASTM-B209-04									
PAINT: DIAMOND VOGEL, BEIGE GLOSS TEXTURE ET-828									
DO NOT SCALE DRAWING									

PROPRIETARY AND CONFIDENTIAL
 THE INFORMATION CONTAINED HEREIN IS THE SOLE PROPERTY OF DDB Unlimited, INC. ANY REPRODUCTION IN PART OR AS A WHOLE WITHOUT THE WRITTEN PERMISSION OF DDB Unlimited, INC. IS PROHIBITED.

DDB FORM: 7-1-2 REV.F 05/02/19

WEB DRAWING (NOT FOR FABRICATION)

4X $\phi \frac{9}{16}$ "
ETCHINGS



TOP VIEW
NO CEILING OR ALUMASHIELD SHOWN

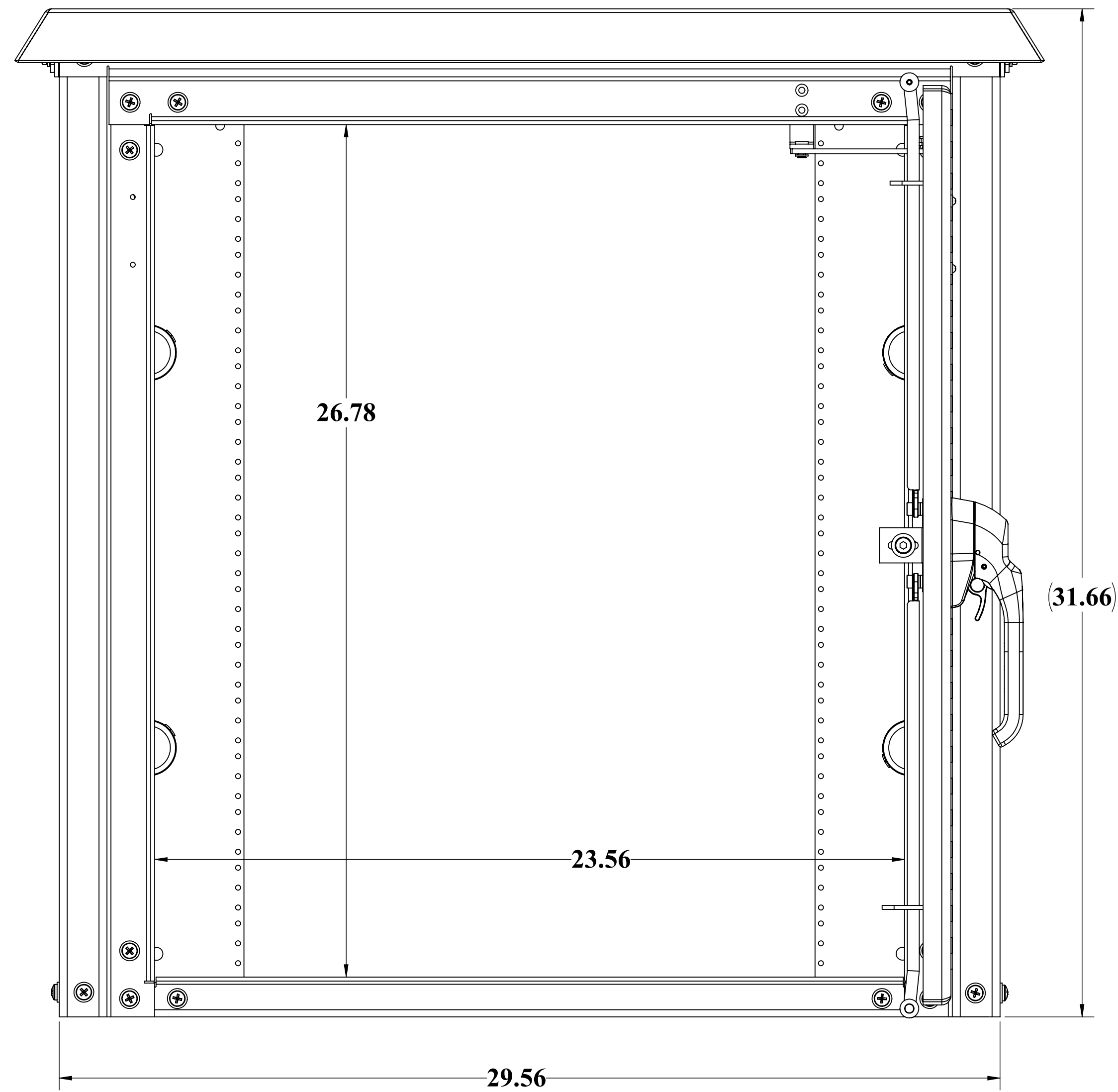
WEB DRAWING (NOT FOR FABRICATION)

UNLESS OTHERWISE SPECIFIED:		DDB Unlimited Inc.	
DIMENSIONS ARE IN INCHES		DX-UL50E-CLOSED	
ANCHOR:		WOD, CLOSED, DX-UL50	
FRAC TIONAL NO DECIMAL:	+0.1250	SIZE	Cage Code: DWG. NO.: REV
ONE PLACE DECIMAL:	+0.0625	D	385Y5 02052 A
TWO PLACE DECIMAL:	+0.0313	SCALE: 1:12	WEIGHT: 77 lbs.
THREE PLACE DECIMAL:	+0.0156	SHEET 2 OF 3	
ALL HOLES: +0.0031			
MATERIAL: 5052-H32-0.125" ASTM-B209-04			
PAINT: DIAMOND VOGEL, BEGG GLOSS TEXTURE FT-408			
DO NOT SCALE DRAWING			

PROPRIETARY AND CONFIDENTIAL
THIS DRAWING IS THE SOLE PROPERTY OF DDB Unlimited, INC. ANY
REPRODUCTION IN PART OR AS A WHOLE WITHOUT THE WRITTEN PERMISSION OF DDB Unlimited, INC. IS PROHIBITED.

DDB FORM: 7.1-2-REV:K 08/02/17

WEB DRAWING (NOT FOR FABRICATION)



BACK VIEW
GASKET NOT SHOWN

WEB DRAWING (NOT FOR FABRICATION)

UNLESS OTHERWISE SPECIFIED:		DDB Unlimited Inc.	
DIMENSIONS ARE IN INCHES		WOD-30DX-UL50E	
ANGULAR: ±1°		WOD, 30"H, DX-UL50	
FRACTIONAL NO DECIMAL: ±0.1250		SIZE	REV
ONE PLACE DECIMAL: ±0.0625		Cage Code:	DWG. NO.:
TWO PLACE DECIMAL: ±0.0313		D	385Y5
THREE PLACE DECIMAL: ±0.0156			02052
ALL HOLES: ±0.0031		SCALE: 1:12	WEIGHT: 100 lbs.
MATERIAL: 5052-H32-O.125" ASTM-B209-04		SHEET 3 OF 3	
PAINT: DIAMOND VOGEL, BEIGE GLOSS TEXTURE FT-420		DO NOT SCALE DRAWING	

PROPRIETARY AND CONFIDENTIAL
THE INFORMATION CONTAINED IN THIS DRAWING IS THE SOLE PROPERTY OF DDB Unlimited, INC. ANY
REPRODUCTION IN PART OR AS A WHOLE WITHOUT THE WRITTEN PERMISSION OF DDB Unlimited, INC. IS PROHIBITED.

DDB FORM: 7.1-2-REV:K 08/02/17