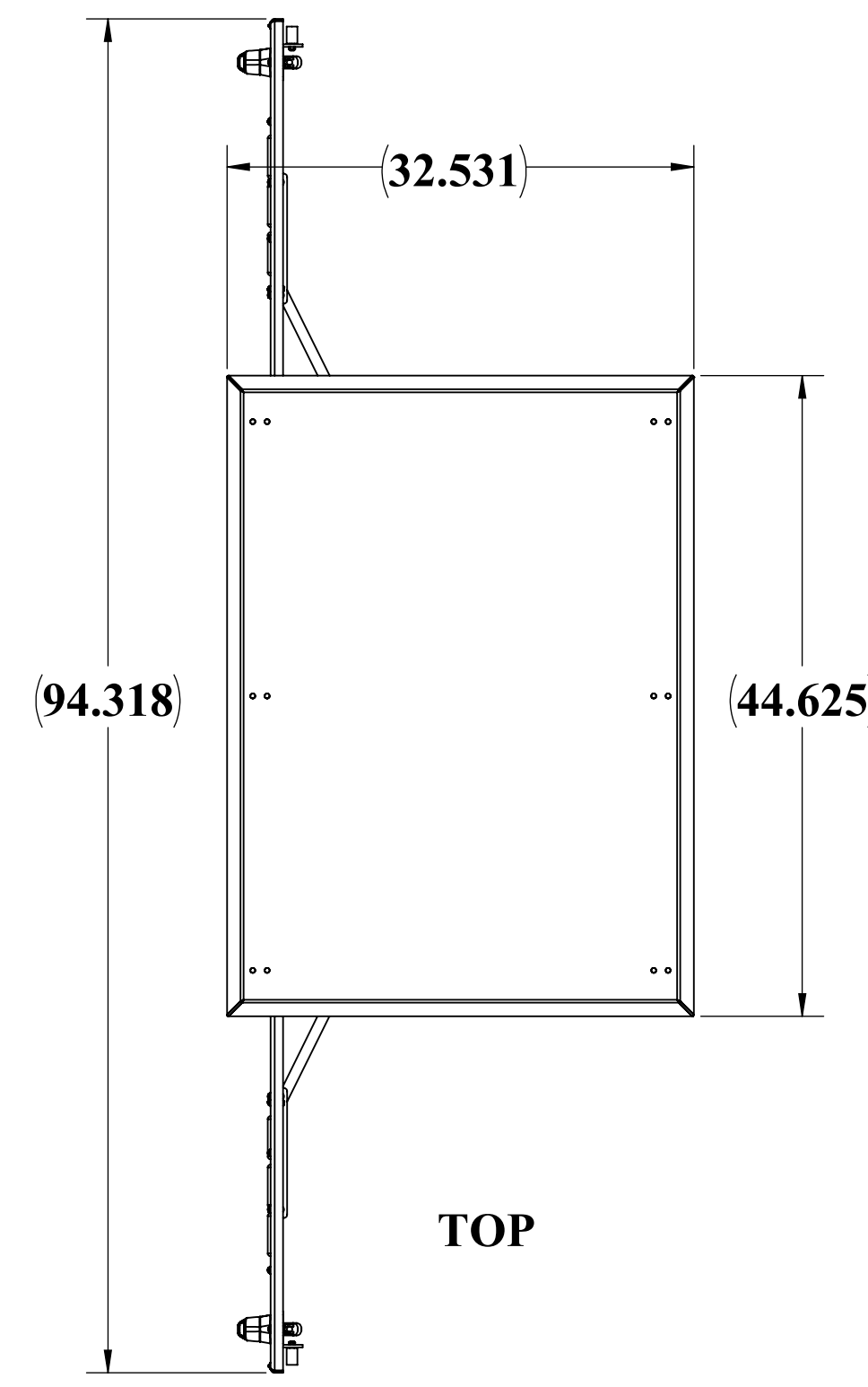
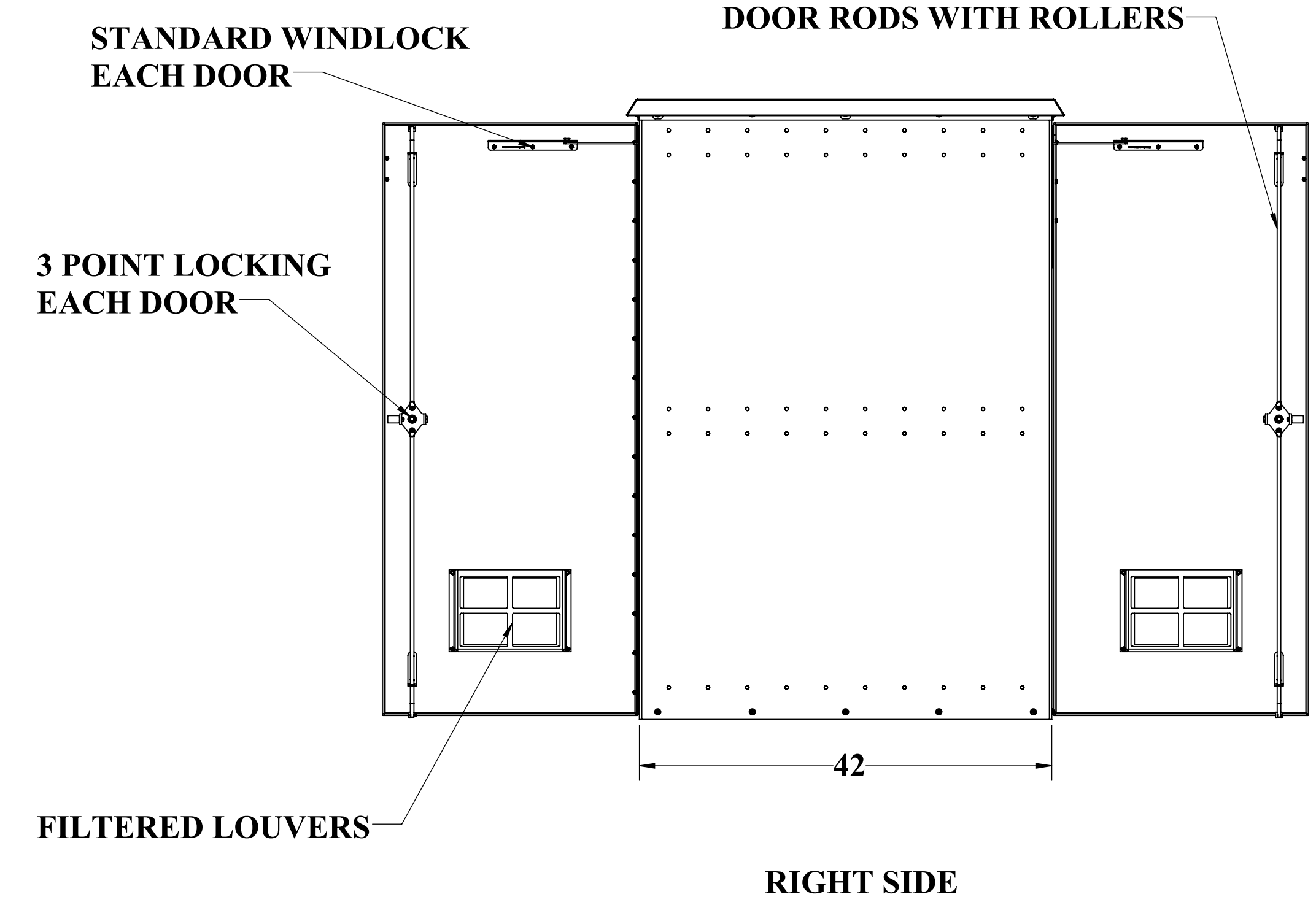
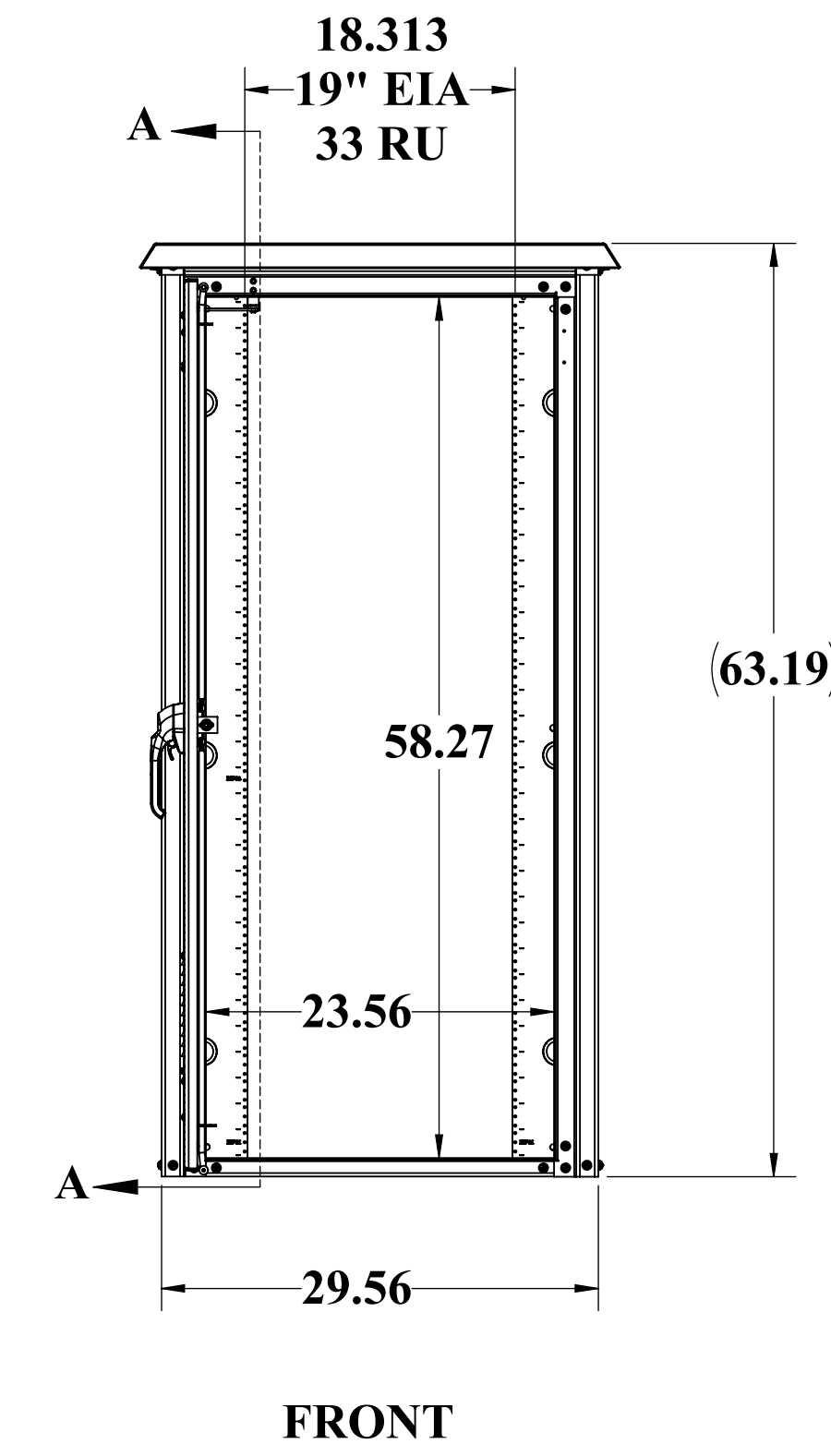
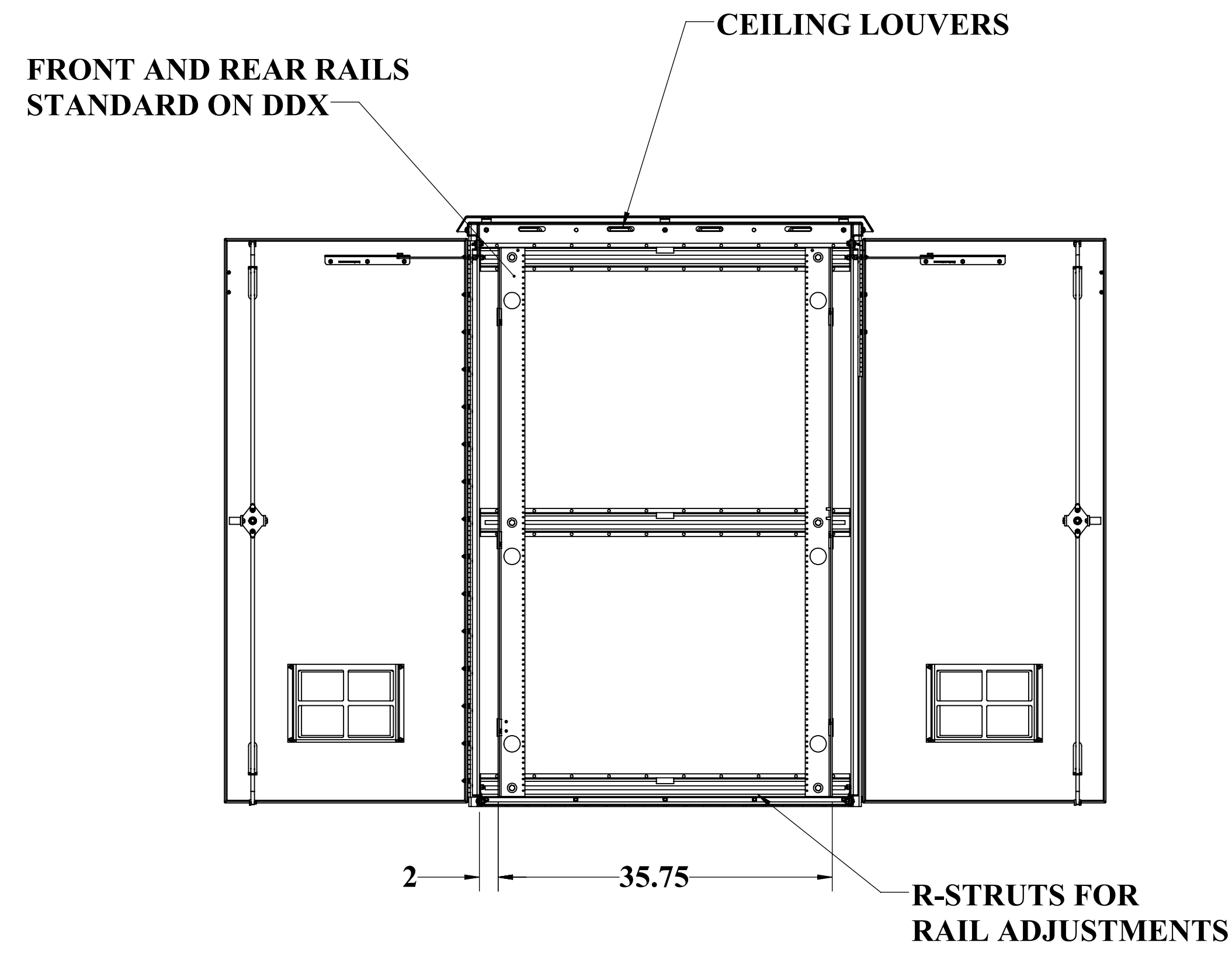
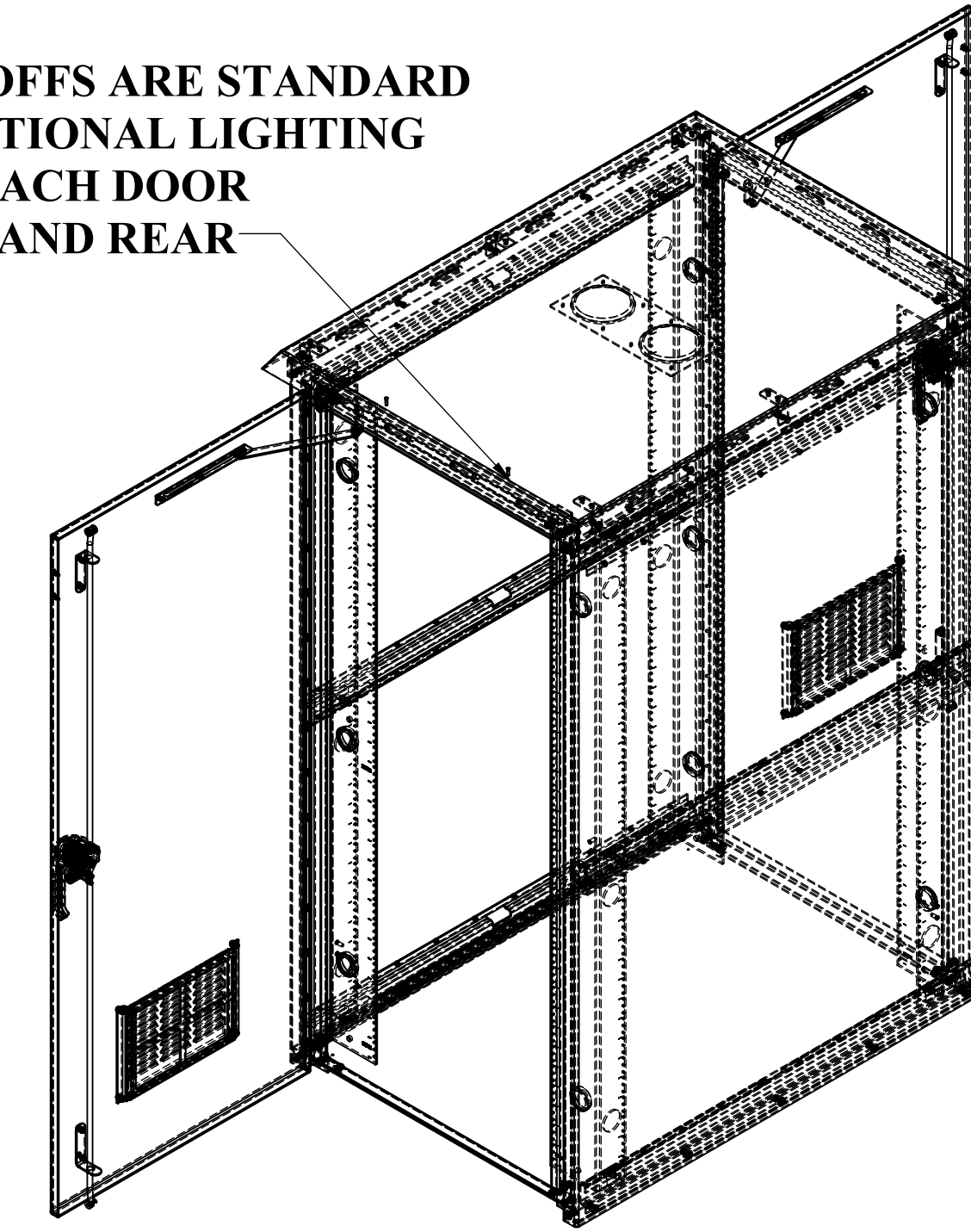


WEB DRAWING (NOT FOR FABRICATION)

REVISIONS		
REV.	DESCRIPTION	DATE
A	Initial Web Drawing per DR-00134	6/10/2013
B	revise to incorporate new components and new drawing template pdr DR-00932	5/15/2014
C	UPDATED TO 2019 FORMAT	5/2/2019
D	UPDATED DRAWING WITH DOOR RODS WITH ROLLERS PER DR-02276	6/15/2020



STANDOFFS ARE STANDARD FOR OPTIONAL LIGHTING OVER EACH DOOR FRONT AND REAR



WEB DRAWING (NOT FOR FABRICATION)

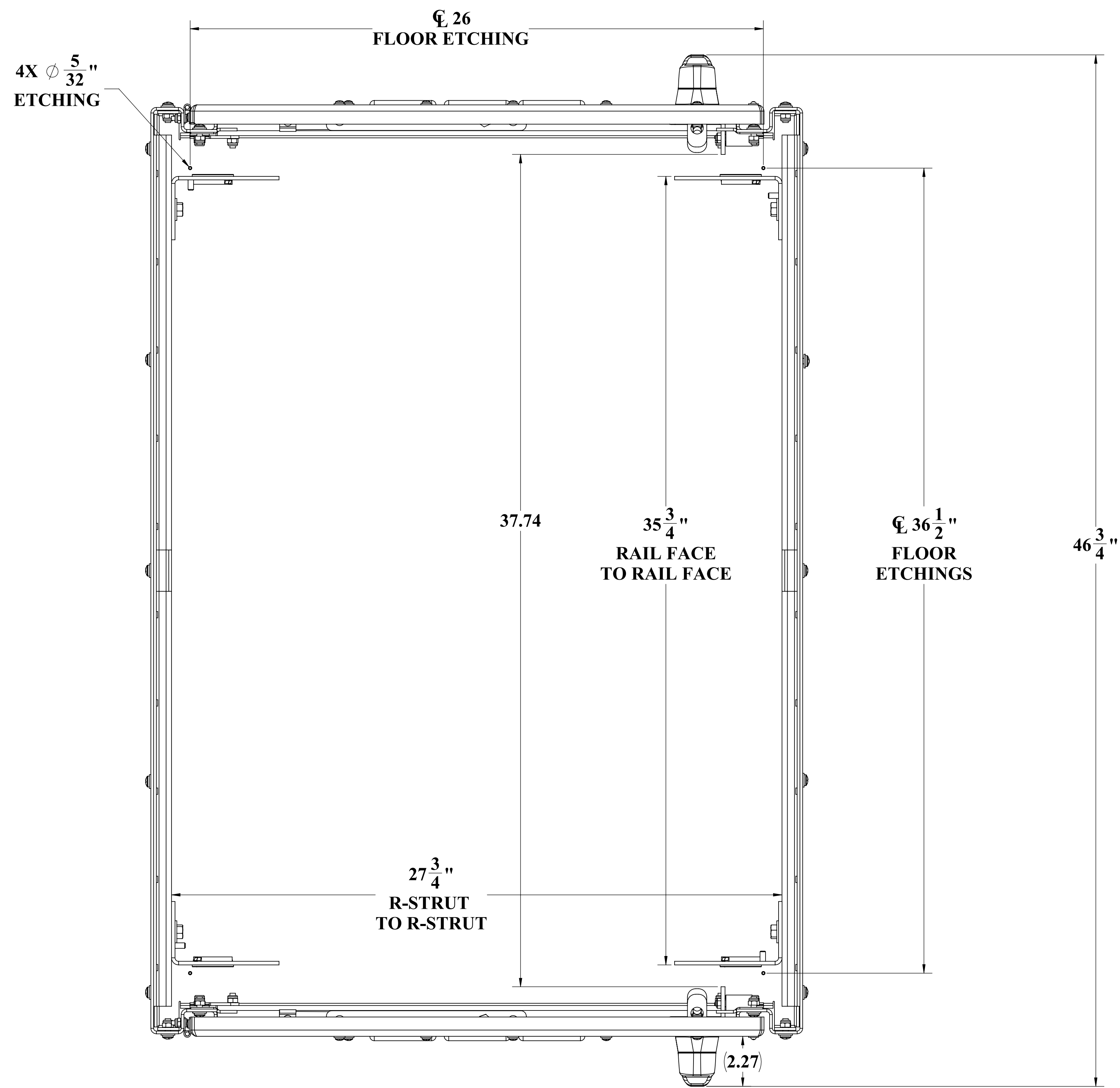
UNLESS OTHERWISE SPECIFIED:		NAME	DATE	<b>DDB Unlimited Inc.</b>		
DIMENSIONS ARE IN INCHES		Model by:	DDB	WOD-XXXX		
ANGULAR:	21°	Drawn by:	gerone	WOD, 62"H, DDX		
FRACTIONAL/NO DECIMAL:	1/16	Sales.Rep.:	Bryan C.	SIZE	Cage Code:	DWG. NO.:
ONE PLACE DECIMAL:	0.0625	Q.A. Appr.:	tray	D	385Y5	00272
TWO PLACE DECIMAL:	0.0020	Prod.Mgr.:	ClarkK	SCALE:	1:12	WEIGHT:
THREE PLACE DECIMAL:	0.00150	Control Number:				234 lbs.
ALL HOLES: 4-MINIMUM						SHEET 1 OF 3
MATERIAL:	5052-H32-ASTM-B209-04					
PAINT:	PRIMER/PRIMER/BERG GLOSS TEXTURE ET-4308					
DO NOT SCALE DRAWING						

DDB FORM: 7-1-2 REV.F 05/02/19

8 7 6 5 4 3 2 1

H G F E D C B A

H G F E D C B A



**TOP VIEW**  
**CEILING AND ALUMASHIELD NOT SHOWN**

UNLESS OTHERWISE SPECIFIED:			
DIMENSIONS ARE IN INCHES			
ANGULAR:	1°		
FRACTIONAL NO. DECIMAL:	±0.125		
ONE PLACE DECIMAL:	±0.0625		
TWO PLACE DECIMAL:	±0.03125		
THREE PLACE DECIMAL:	±0.015625		
ALL HOLES: ±0.0031			
MATERIAL:	5052-H32-ASTM-B209-04		
PAINT: DIAMOND VOGEL-BEIGE GLOSS TEXTURE			
DO NOT SCALE DRAWING			
DDB Unlimited Inc.		DDX Closed	
Enclosure, Family, WODDDX Closed			
SIZE	Cage Code:	DWG. NO.:	REV
D	385Y5	00272	D
SCALE: 1:12		WEIGHT: 148 lbs.	
2		1	
SHEET 2 OF 3			

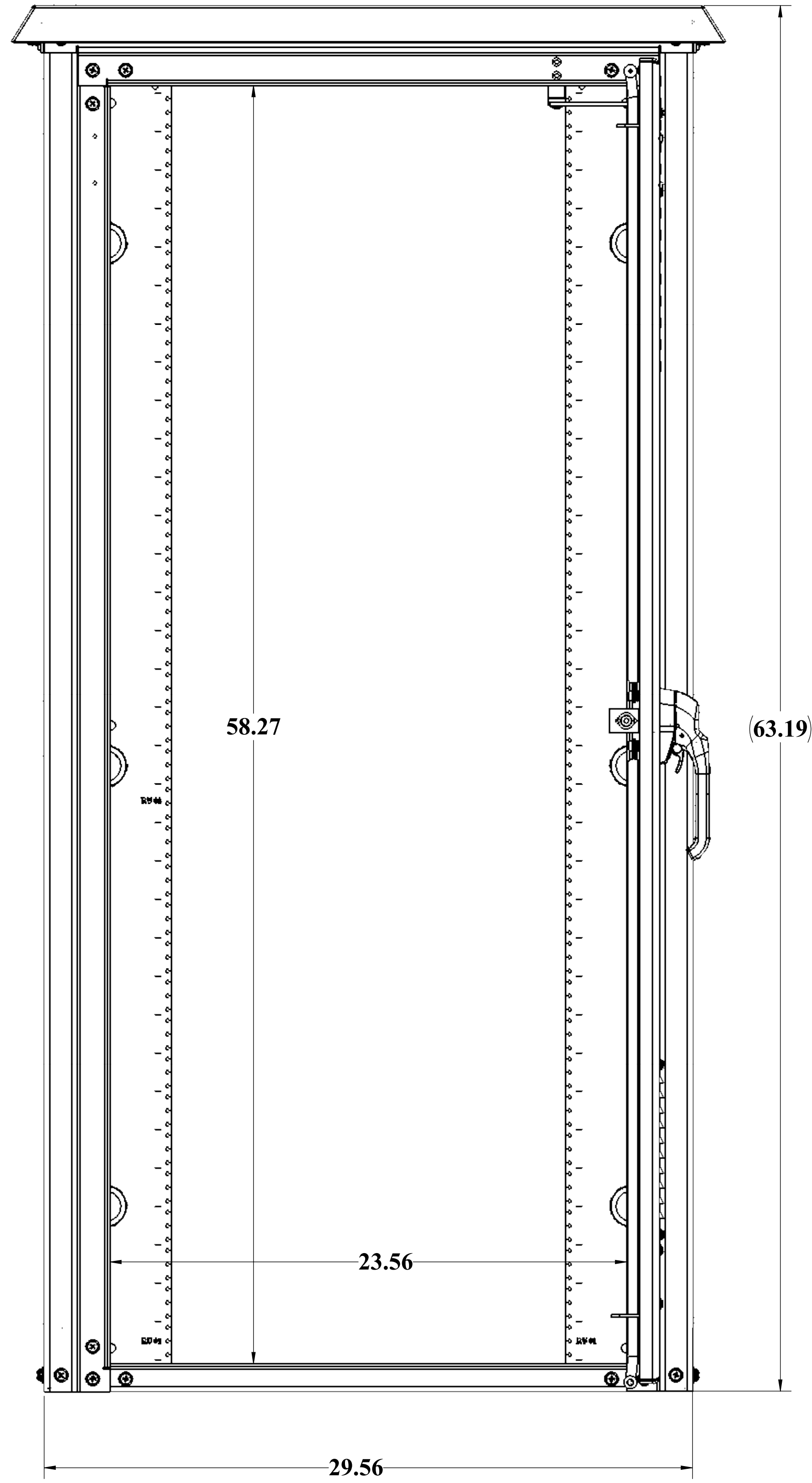
UNCLASSIFIED PUBLIC  
 THE INFORMATION CONTAINED IN THIS DRAWING IS THE SOLE PROPERTY OF DDB Unlimited, INC. ANY REPRODUCTION IN PART OR AS A WHOLE WITHOUT THE WRITTEN PERMISSION OF DDB Unlimited, INC. IS PROHIBITED.

DDB FORM: 7.1-2-REV:K 08/02/17

8 7 6 5 4 3 2 1

H  
G  
F  
E  
D  
C  
B  
A

H  
G  
F  
E  
D  
C  
B  
A



BACK VIEW  
GASKET NOT SHOWN

UNLESS OTHERWISE SPECIFIED:			
DIMENSIONS ARE IN INCHES			
ANGLE:	1"		
FRACTIONAL NO. DECIMAL:	±0.125		
ONE PLACE DECIMAL:	±0.0625		
TWO PLACE DECIMAL:	±0.03125		
THREE PLACE DECIMAL:	±0.015625		
ALL HOLES: ±0.0031 O.			
MATERIAL: 5052-H32-ASTM-B209-04		DDB Unlimited Inc.	
PAINT: DIAMOND VOGELBERG GLOSS TEXTURE ET-403		WOD-62DDX	
DO NOT SCALE DRAWING			
SIZE	Cage Code:	DWG. NO.:	REV
D	385Y5	00272	D
SCALE: 1:12		WEIGHT: 234 lbs.	
		SHEET 3 OF 3	

DDB FORM: 7.1-2-REV:K 08/02/17