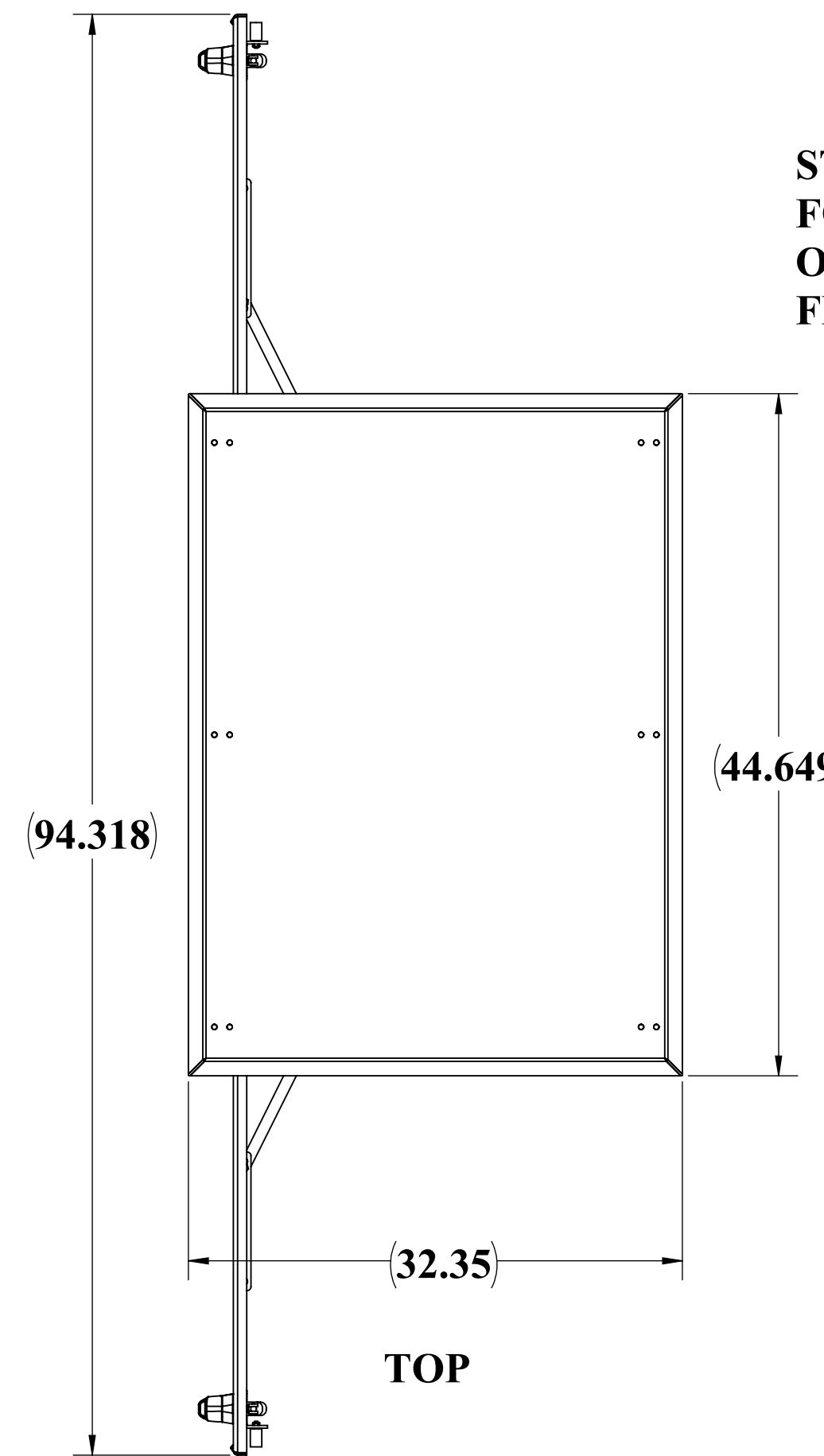
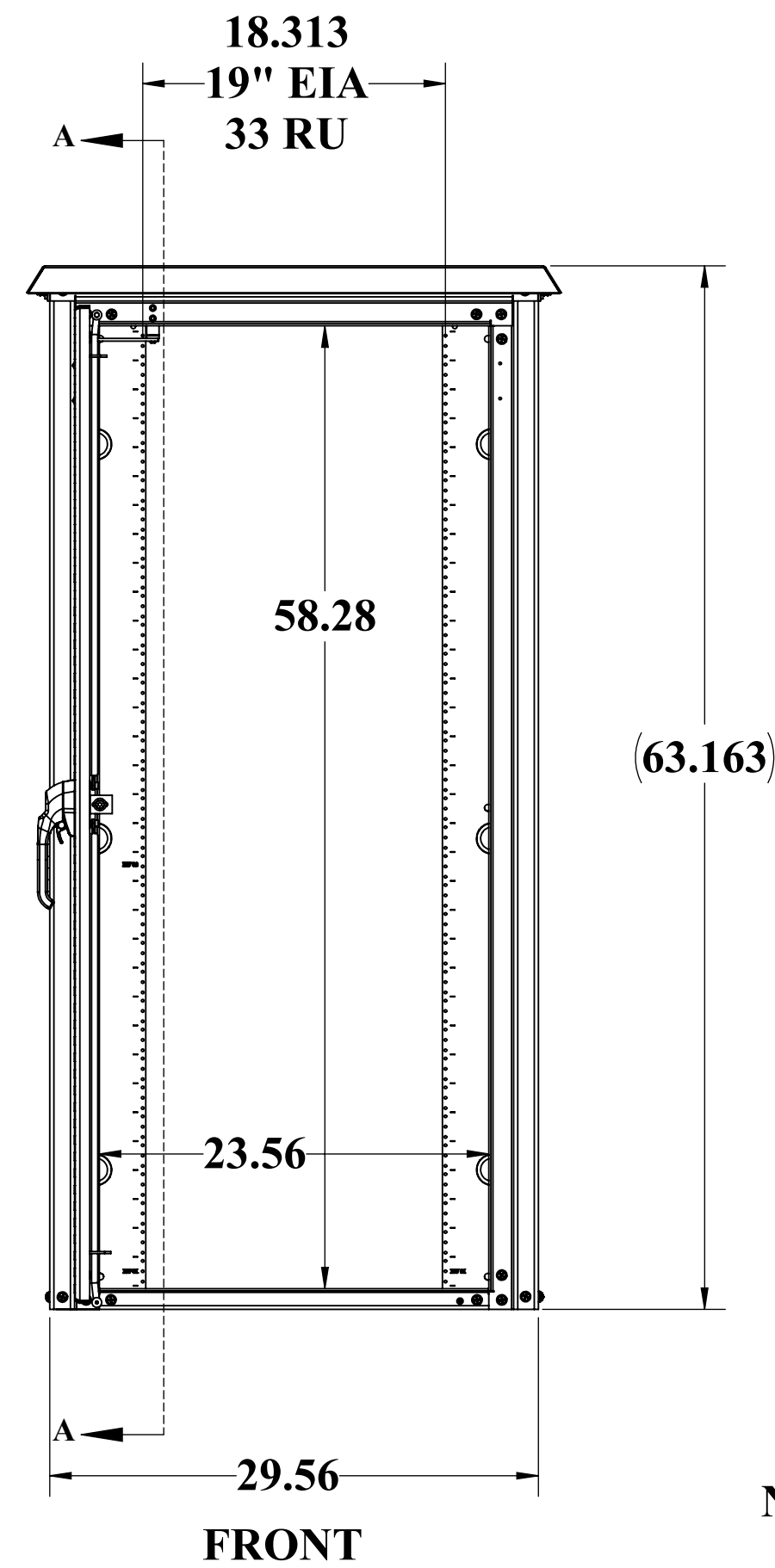
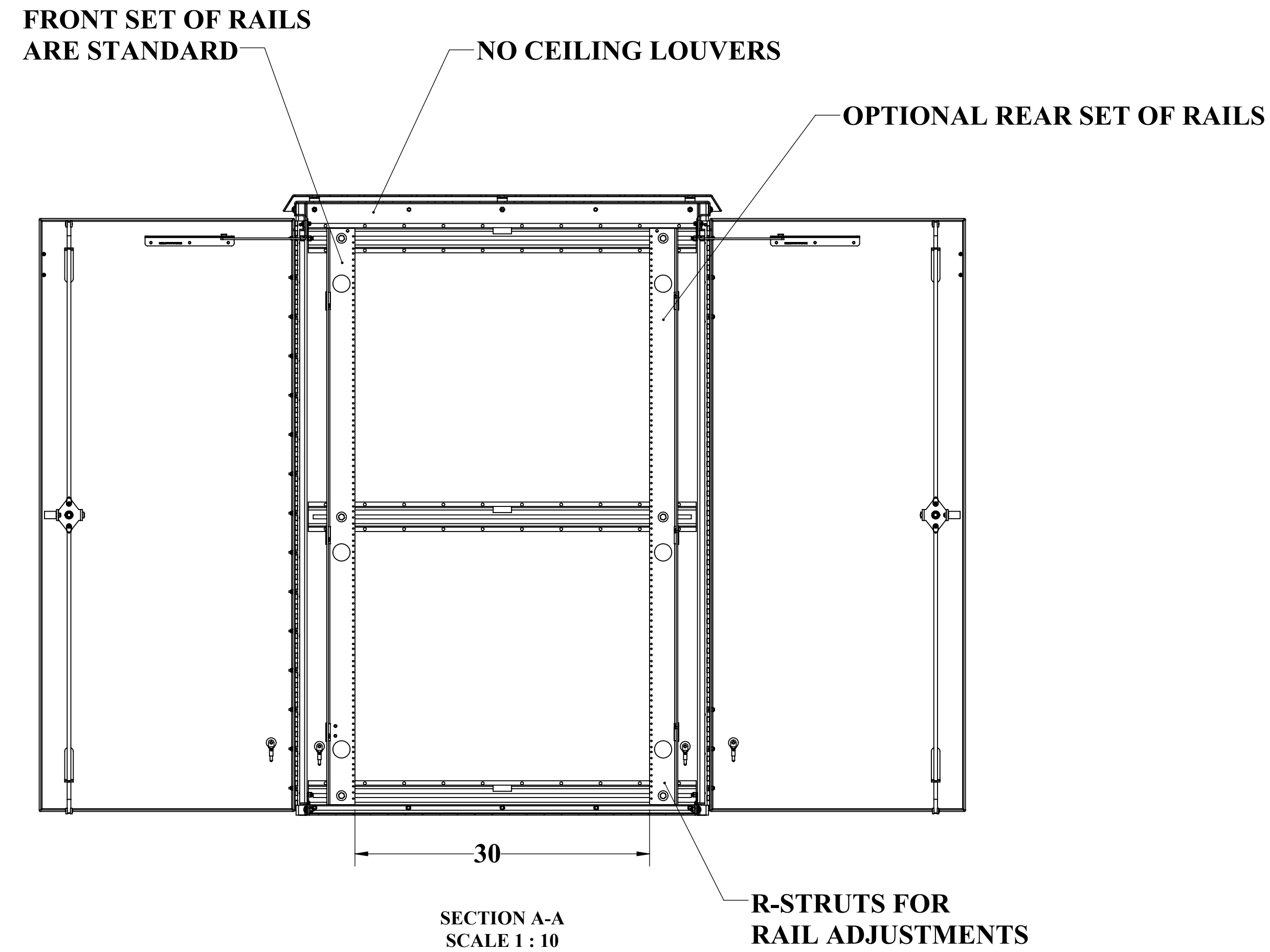
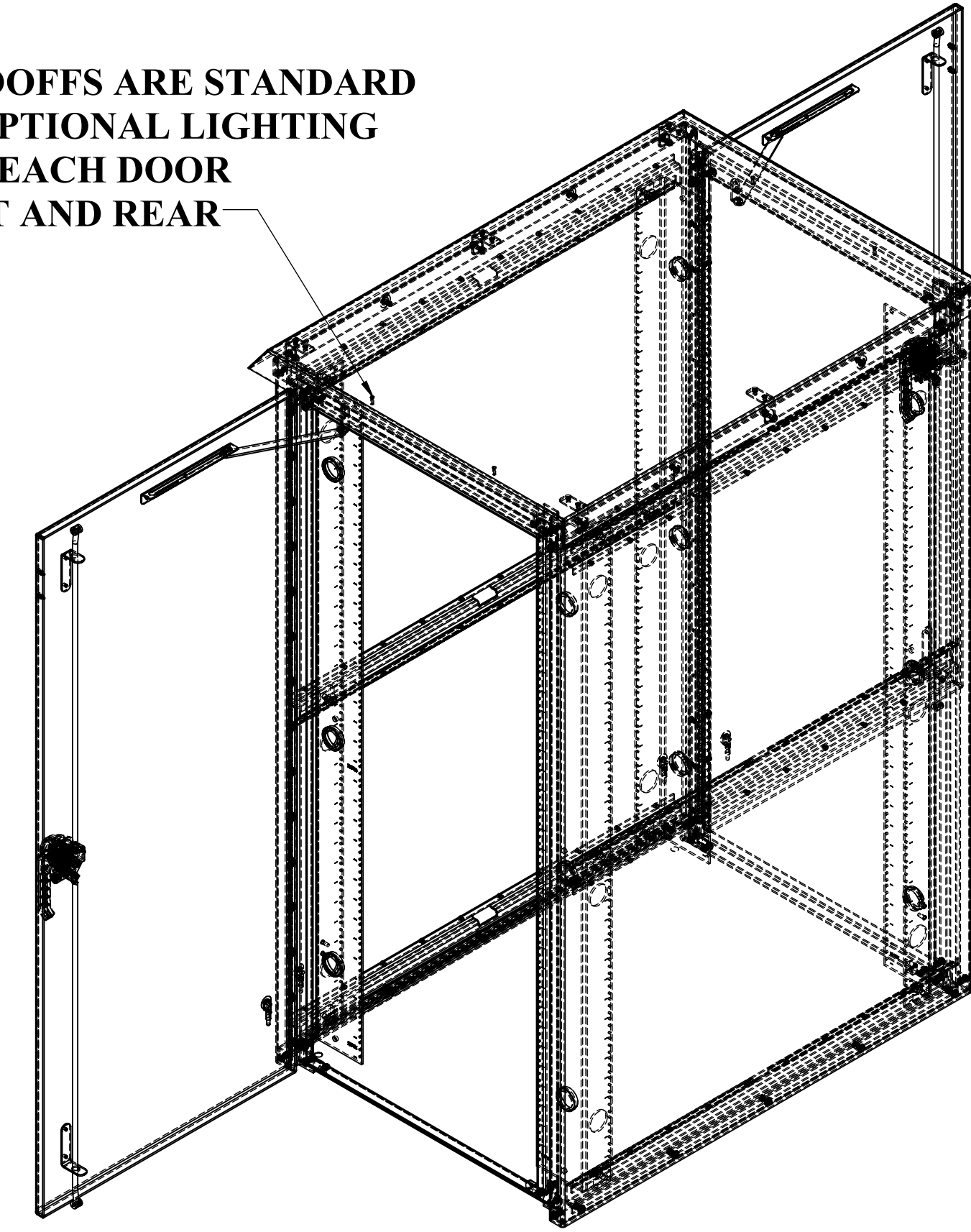


WEB DRAWING (NOT FOR FABRICATION)

REVISIONS		
REV.	DESCRIPTION	DATE
A	CRATED DRAWING PER DR-02060	7/17/2019



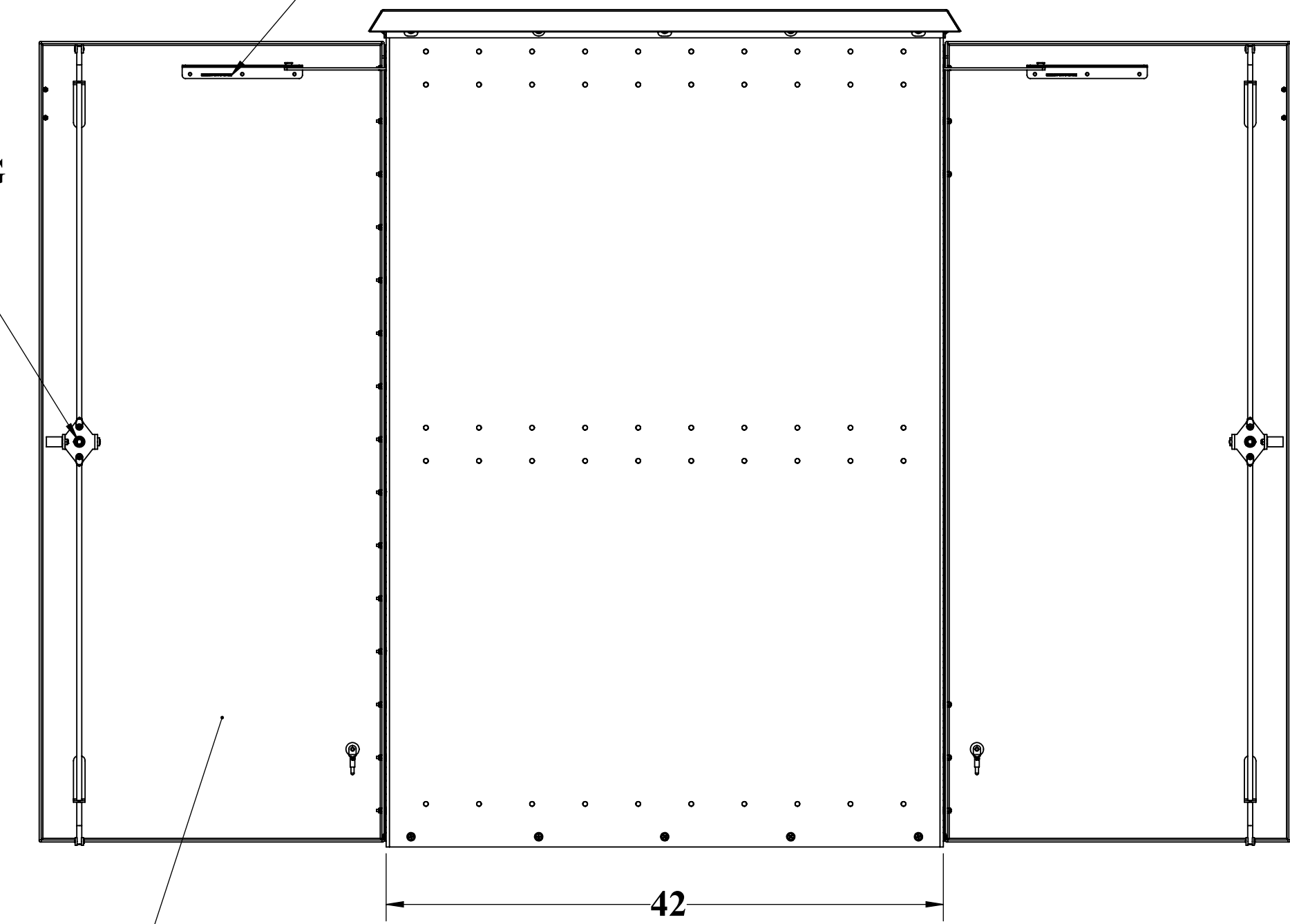
STANDOFFS ARE STANDARD FOR OPTIONAL LIGHTING OVER EACH DOOR FRONT AND REAR



3 POINT LOCKING EACH DOOR

NO FILTERED LOUVERS

STANDARD WINDLOCKS FOR EACH DOOR



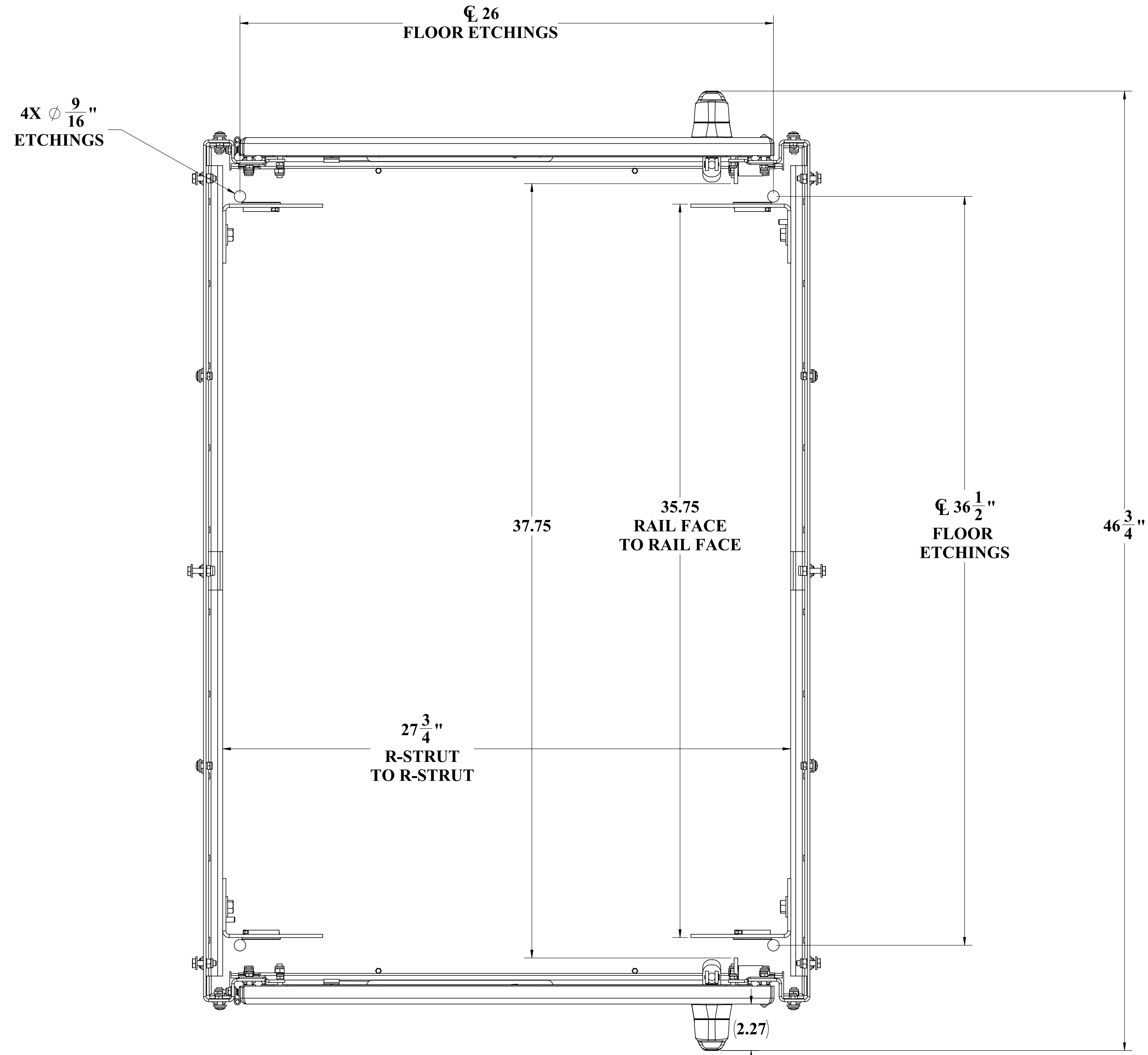
WEB DRAWING (NOT FOR FABRICATION)

UNLESS OTHERWISE SPECIFIED:		NAME	DATE	DDB Unlimited Inc.		
DIMENSIONS ARE IN INCHES		Model by:	DDB	WOD-XXXX-UL50		
ANGULAR:	21°	Drawn by:	Geron E.	WOD, 62"H, DDX-UL50		
FRACTIONAL/NO DECIMAL:	1/16	Sales.Rep.:	Misty	SIZE	Cage Code:	DWG. NO.:
ONE PLACE DECIMAL:	0.0625	Prod.Mgr.:	ClarkK	D	385Y5	02060
TWO PLACE DECIMAL:	0.0020	Control Number:		SCALE: 1:12	WEIGHT: 229 lbs.	SHEET 1 OF 3
THREE PLACE DECIMAL:	0.00150					
ALL HOLES: #10/32						
MATERIAL: 5052-H32-0.125" ASTM-B209-04						
PAINT: BRANSON VOGEL BRIDGE GLOSS TEXTURE ET-428						
MATERIAL THICKNESS IS: 0.125"						
DO NOT SCALE DRAWING						

PROPRIETARY AND CONFIDENTIAL
THE INFORMATION CONTAINED HEREIN IS THE SOLE PROPERTY OF DDB Unlimited, INC. ANY
REPRODUCTION IN PART OR AS A WHOLE WITHOUT THE WRITTEN PERMISSION OF DDB Unlimited, INC. IS PROHIBITED.

DDB FORM: 7-1-2 REV.F 05/02/19

WEB DRAWING (NOT FOR FABRICATION)



TOP VIEW
NO CEILING OR ALUMASHIELD SHOWN

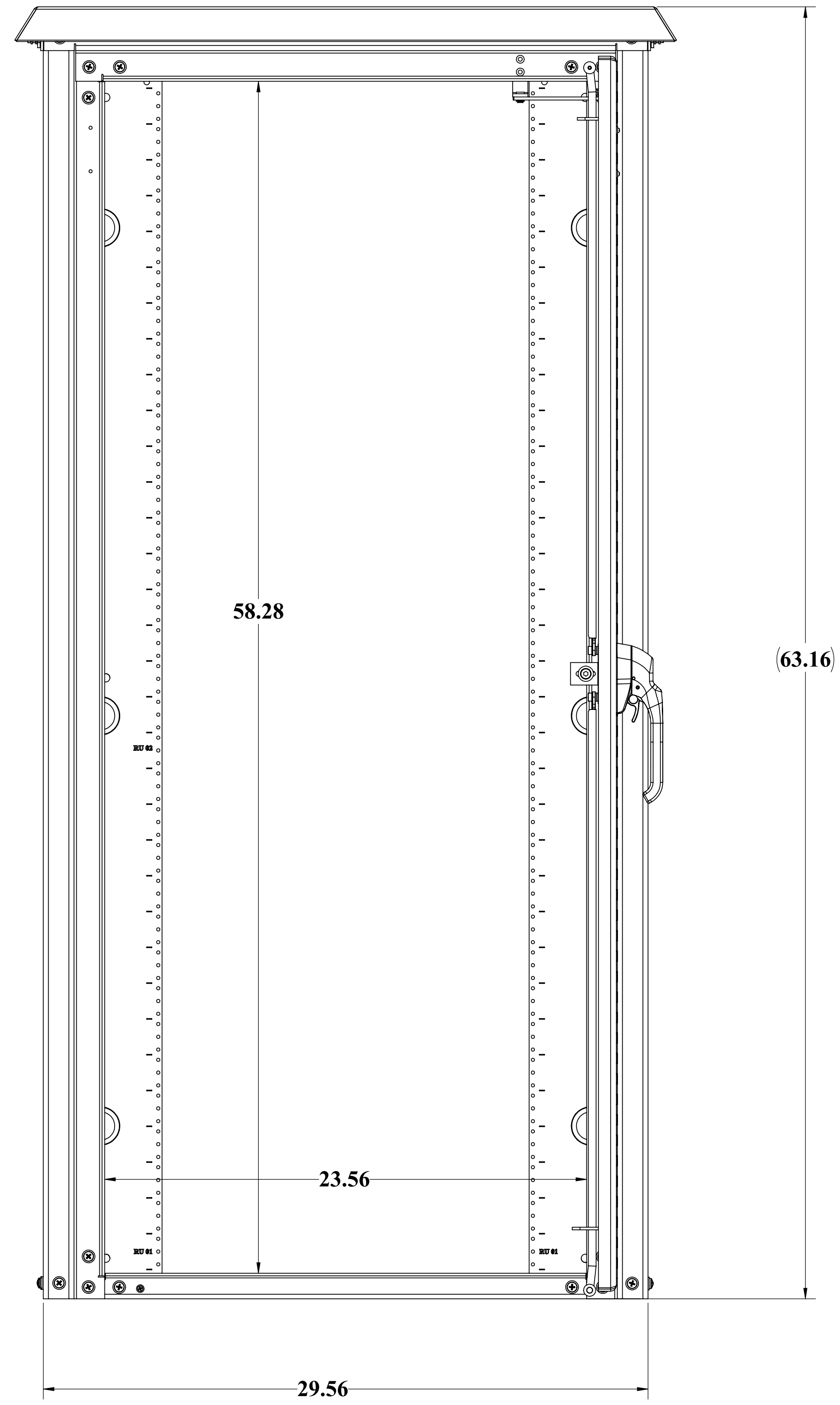
WEB DRAWING (NOT FOR FABRICATION)

UNLESS OTHERWISE SPECIFIED:		DDB Unlimited Inc.	
DIMENSIONS ARE IN INCHES		DDX-UL50E-CLOSED	
ANGULAR: ±1°		WOD, CLOSED, DDX-UL50	
FRACTIONAL NO DECIMAL: ±0.125		SIZE	Cage Code: DWG. NO.: REV
ONE PLACE DECIMAL: ±0.0625		D	385Y5 02060 A
TWO PLACE DECIMAL: ±0.03125		SCALE: 1:12 WEIGHT: 107 lbs. SHEET 2 OF 3	
THREE PLACE DECIMAL: ±0.015625			
ALL HOLES: ±0.0031" Ø			
MATERIAL: 5052-H32-0.125" ASTM-B209-04			
PAINT: DIAMOND VOGEL, BEIGE GLOSS TEXTURE FT-1029			
DO NOT SCALE DRAWING			

PROPRIETARY AND CONFIDENTIAL
 THIS DRAWING IS THE SOLE PROPERTY OF DDB Unlimited, INC. ANY
 REPRODUCTION IN PART OR AS A WHOLE WITHOUT THE WRITTEN PERMISSION OF DDB Unlimited, INC. IS PROHIBITED.

DDB FORM: 7.1-2-REV:K 08/02/17

WEB DRAWING (NOT FOR FABRICATION)



BACK VIEW
GASKET NOT SHOWN

WEB DRAWING (NOT FOR FABRICATION)

UNLESS OTHERWISE SPECIFIED:		DDB Unlimited Inc.	
DIMENSIONS ARE IN INCHES		WOD-62DDX-UL50E	
ANGULAR: ±1°		WOD, 62"H, DDX-UL50	
FRACTIONAL NO DECIMAL: ±0.1250		SIZE	Cage Code: DWG. NO.: REV
ONE PLACE DECIMAL: ±0.0625		D	385Y5 02060 A
TWO PLACE DECIMAL: ±0.0313		SCALE: 1:12 WEIGHT: 229 lbs. SHEET 3 OF 3	
THREE PLACE DECIMAL: ±0.0156			
ALL HOLES: ±0.0031 Ø			
MATERIAL: 5052-H32-O.125" ASTM-B209-04			
PAINT: DIAMOND VOGEL, BEIGE GLOSS TEXTURE FT-420			
DO NOT SCALE DRAWING			

PROPRIETARY AND CONFIDENTIAL
THIS DRAWING IS THE SOLE PROPERTY OF DDB Unlimited, INC. ANY
REPRODUCTION IN PART OR AS A WHOLE WITHOUT THE WRITTEN PERMISSION OF DDB Unlimited, INC. IS PROHIBITED.

DDB FORM: 7.1-2-REV:K 08/02/17