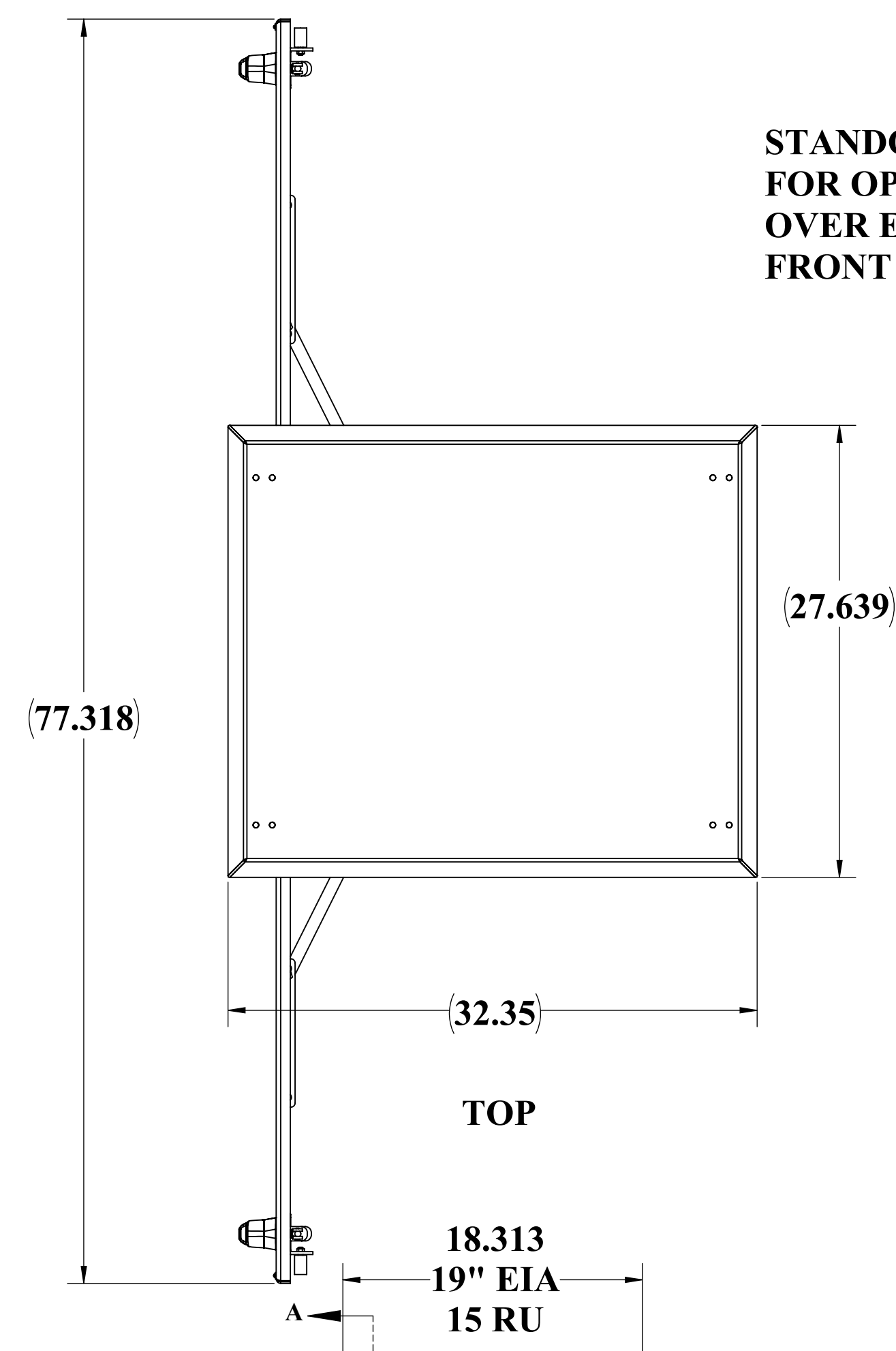
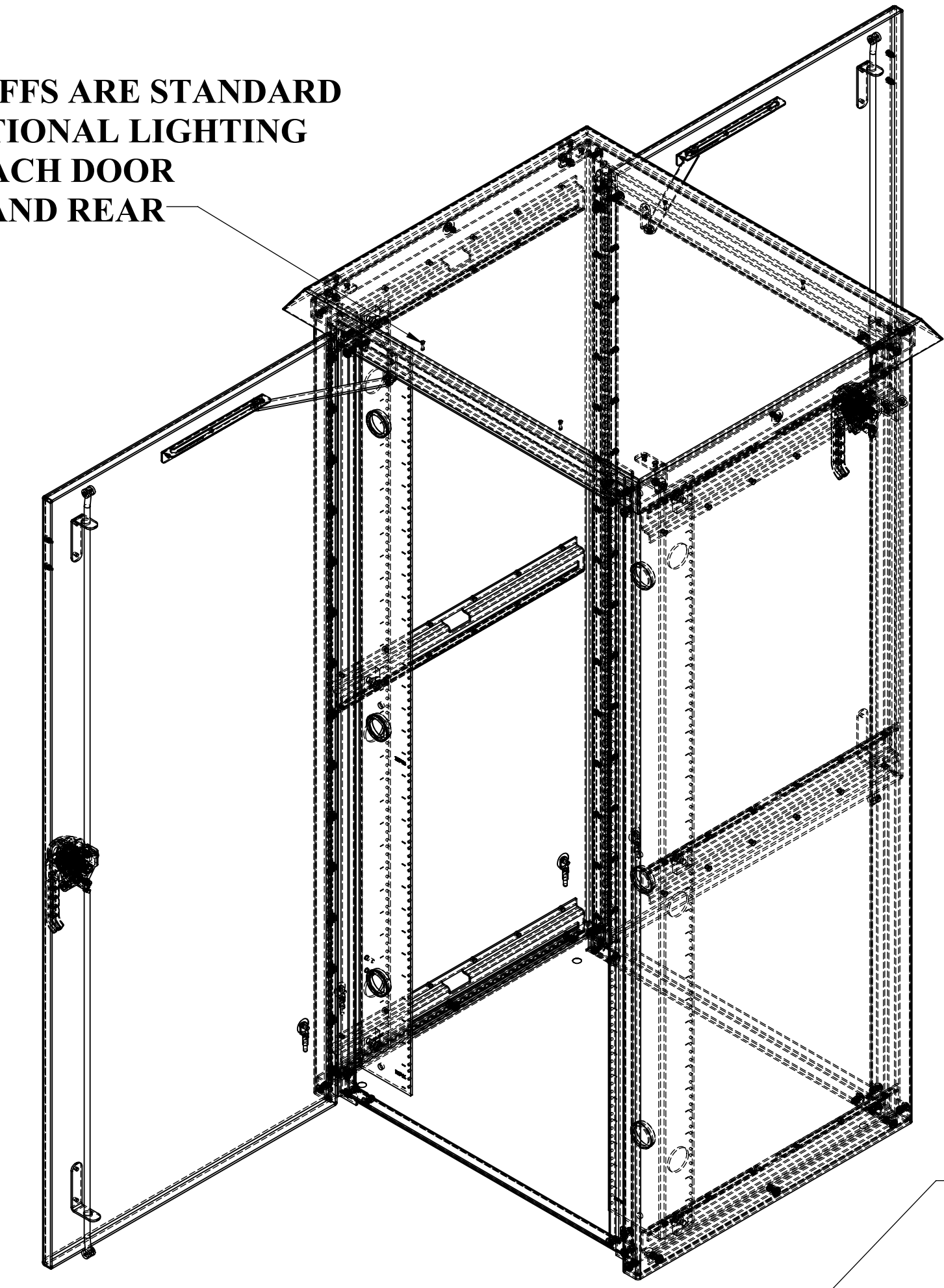


WEB DRAWING (NOT FOR FABRICATION)

REVISIONS		
REV.	DESCRIPTION	DATE
A	CREATED DRAWING PER DR-02058	7/18/2019

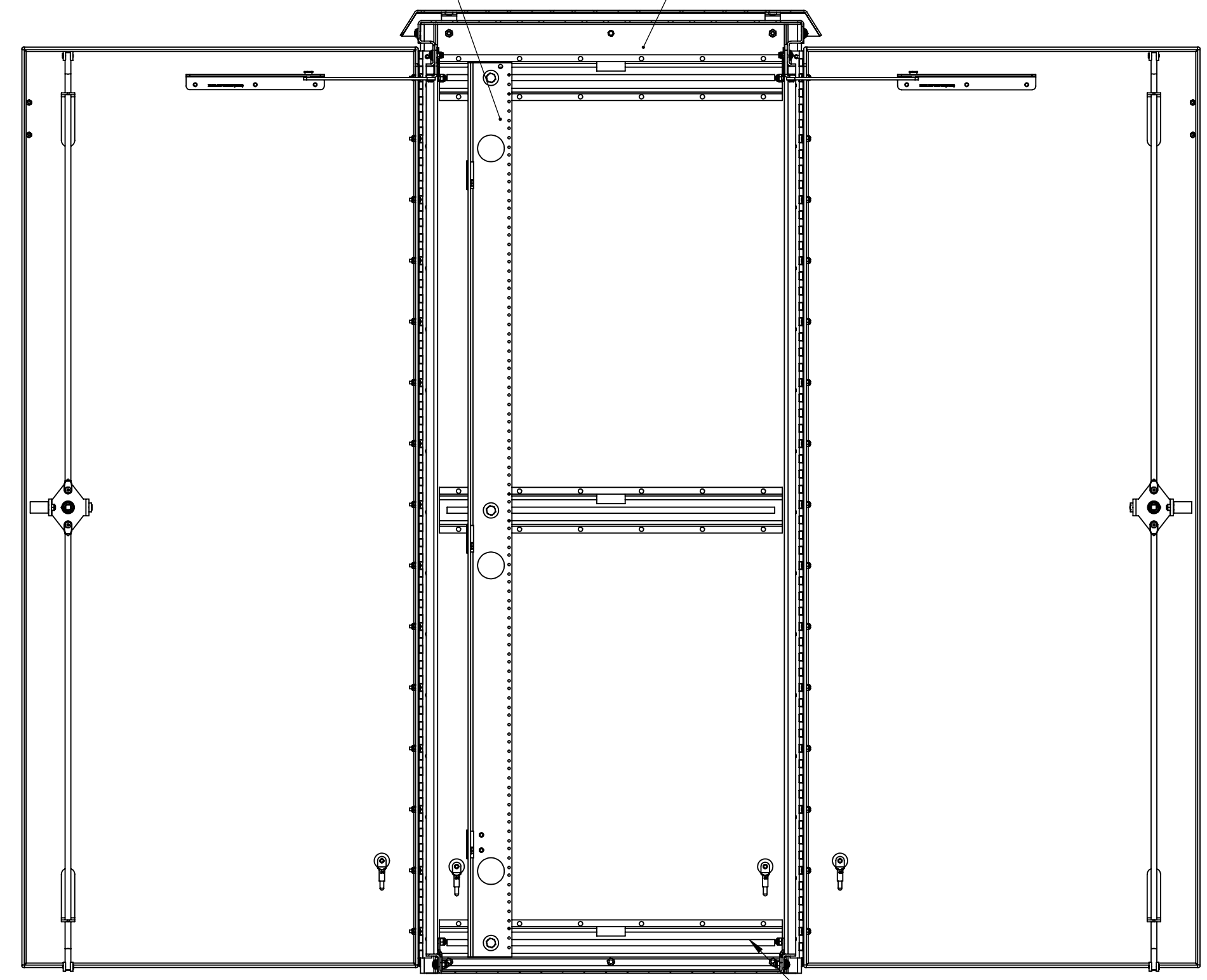


STANDOFFS ARE STANDARD FOR OPTIONAL LIGHTING OVER EACH DOOR FRONT AND REAR



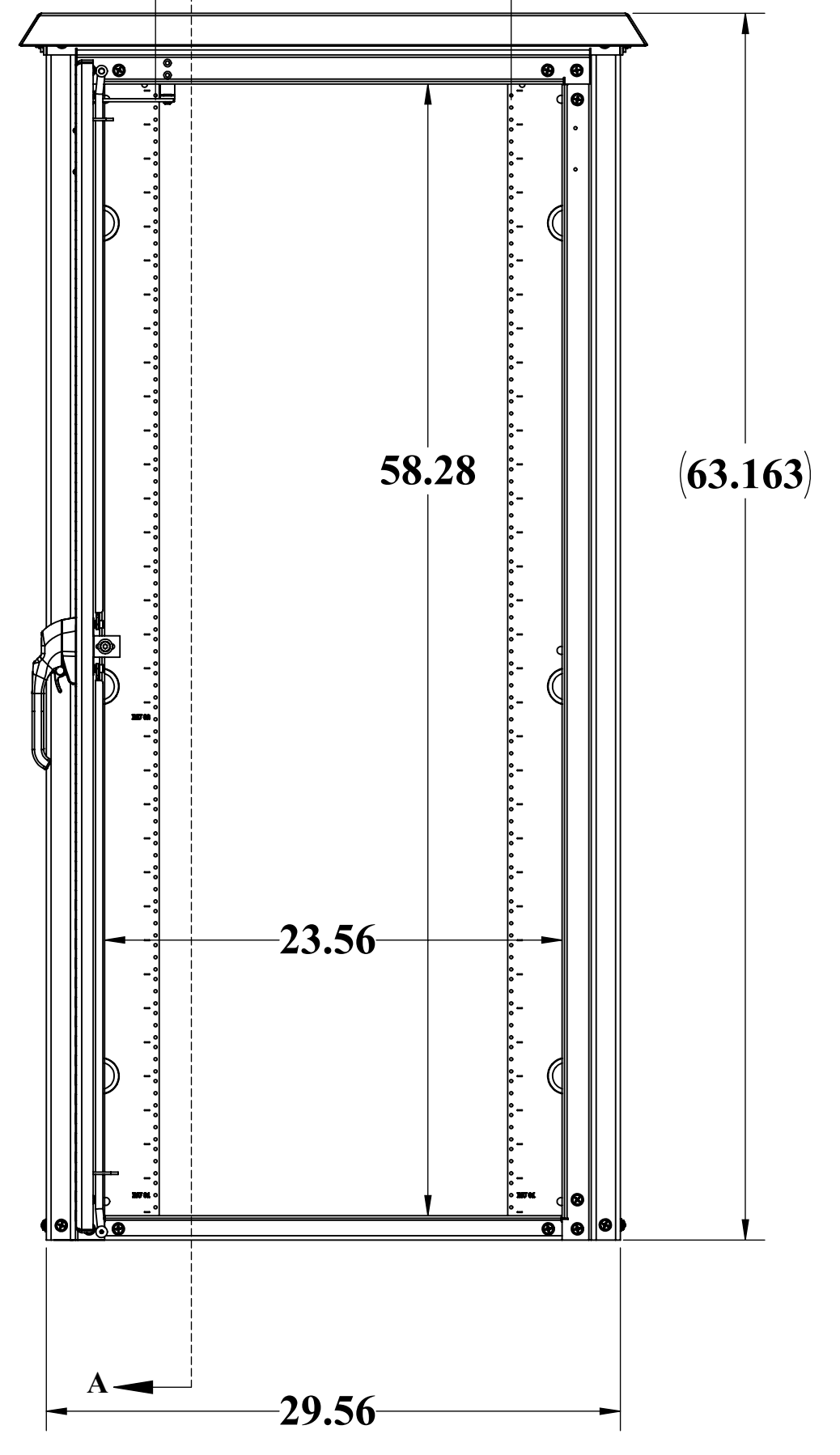
STANDARD WINDLOCKS FOR EACH DOOR

FRONT SET OF RAILS ARE STANDARD
NO CEILING LOUVERS



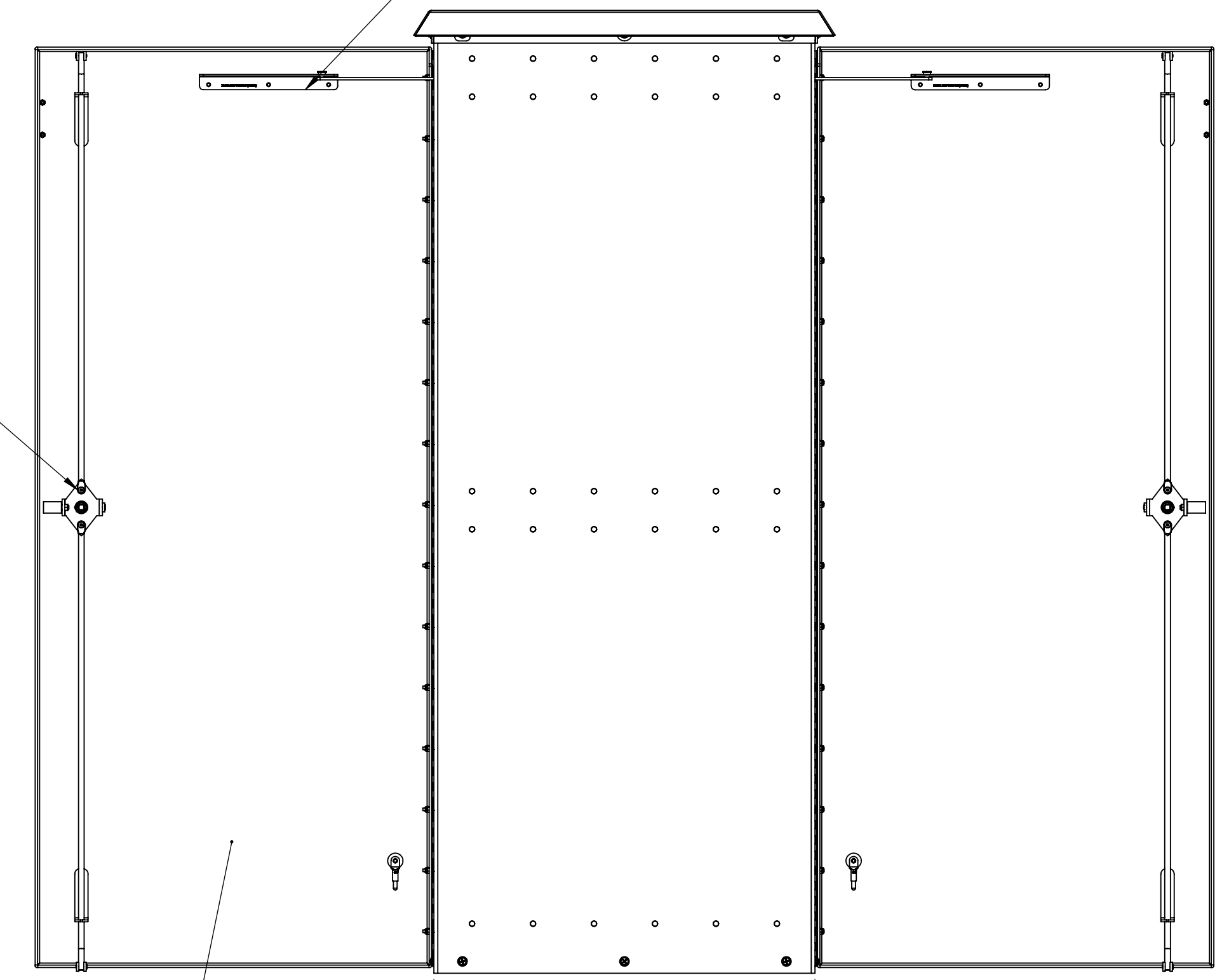
SECTION A-A
SCALE 1 : 8

R-STRUTS FOR RAIL ADJUSTMENTS



FRONT

3 POINT LOCKING EACH DOOR



RIGHT SIDE
WEB DRAWING (NOT FOR FABRICATION)

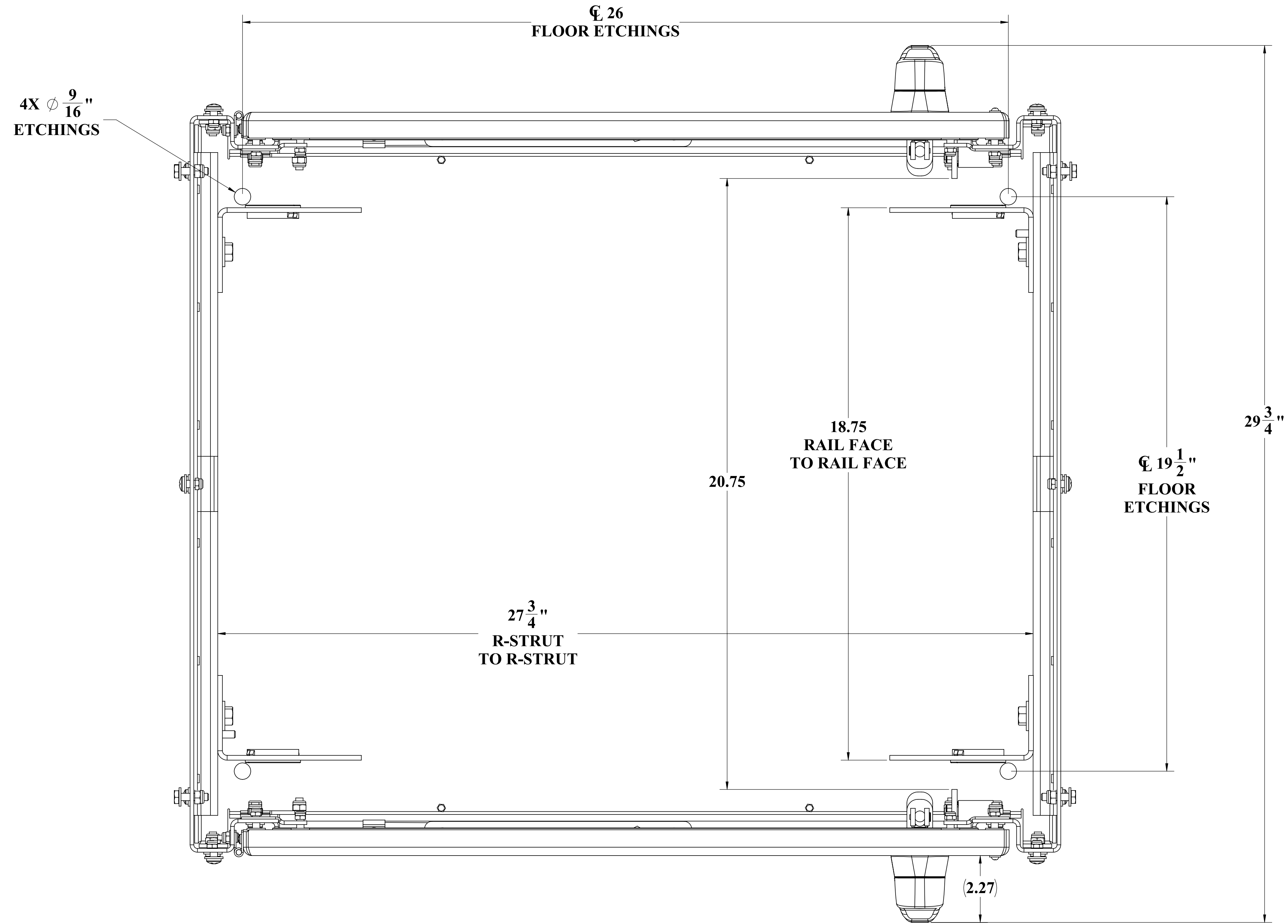
NO FILTERED LOUVERS

UNLESS OTHERWISE SPECIFIED:		NAME	DATE	DDB Unlimited Inc.			
DIMENSIONS ARE IN INCHES							
ANGULAR:	FRACTIONAL/NO DECIMAL	21°		Model by:	DDB	7/18/2019	WOD-XXXX-UL50
	ONE PLACE DECIMAL	±0.1250		Drawn by:	Geron E.	7/18/2019	WOD, 62"H, DX-UL50
	TWO PLACE DECIMAL	±0.0025		Sales.Rep.:			
	THREE PLACE DECIMAL	±0.0010		Q.A.Appr.:	tray	07/18/19	SIZE Cage Code: DWG. NO.: REV
	FOUR PLACE DECIMAL	±0.0005		Prod.Mgr.:	ClarkK	07/19/19	D 385Y5 02058 A
ALL HOLES: ±0.0010				Control Number:			SCALE: 1:12 WEIGHT: 165 lbs. SHEET 1 OF 3
MATERIAL: 5052-H32-0.125" ASTM-B209-04							
PAINT: DIAMOND VOGEL, BEIGE GLOSS TEXTURE ET-4328							
DO NOT SCALE DRAWING							

DDB FORM: 7-1-2 REV.F 05/02/19

THE INFORMATION CONTAINED IN THIS DRAWING IS THE SOLE PROPERTY OF DDB Unlimited, INC. ANY REPRODUCTION IN PART OR AS A WHOLE WITHOUT THE WRITTEN PERMISSION OF DDB Unlimited, INC. IS PROHIBITED.

WEB DRAWING (NOT FOR FABRICATION)



TOP VIEW
NO CEILING OR ALUMASHIELD SHOWN

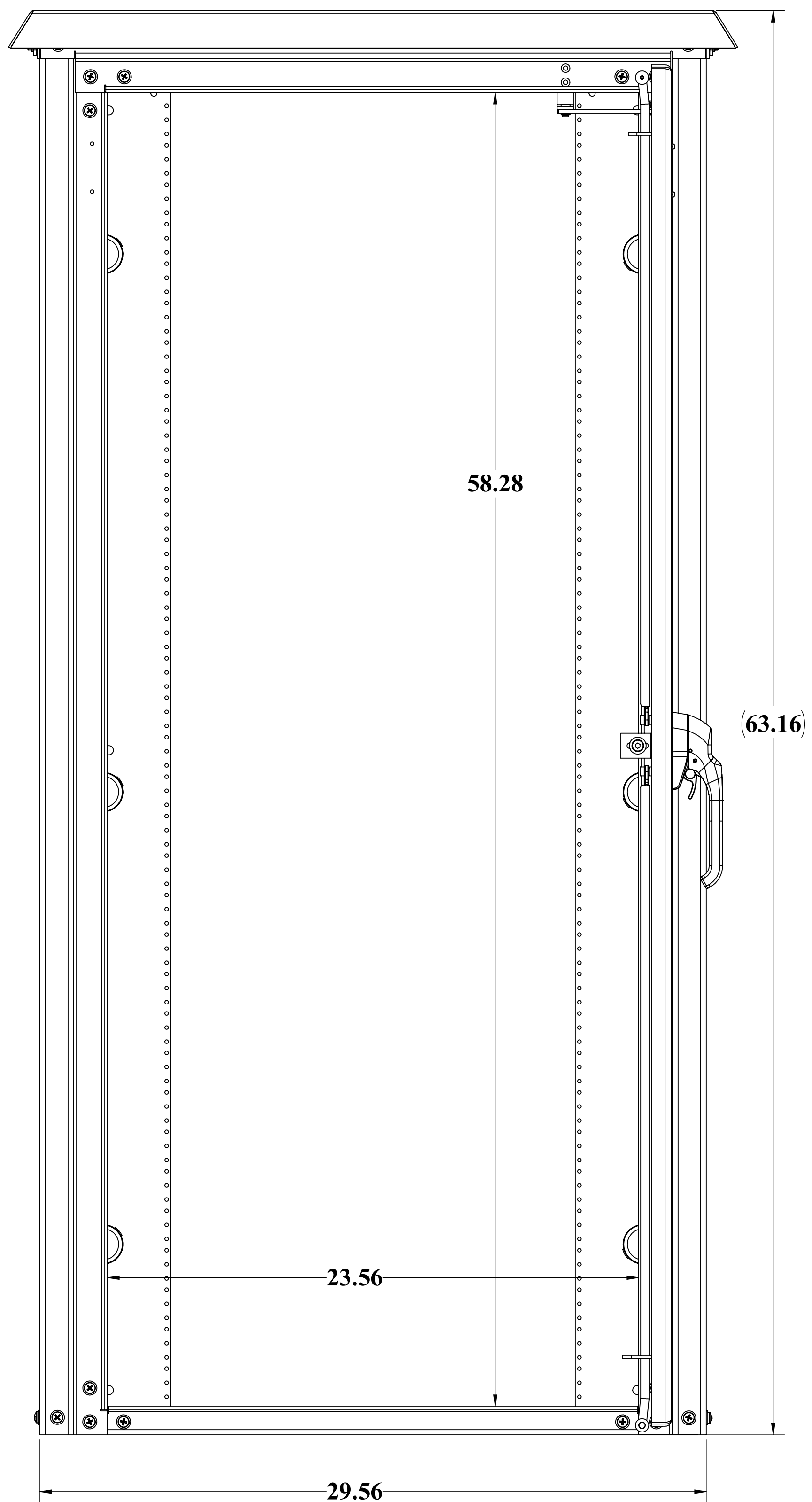
WEB DRAWING (NOT FOR FABRICATION)

UNLESS OTHERWISE SPECIFIED:			
DIMENSIONS ARE IN INCHES			
ANGULAR:	1°		
FRACTIONAL NO DECIMAL:	±0.125		
ONE PLACE DECIMAL:	±0.0625		
TWO PLACE DECIMAL:	±0.03125		
THREE PLACE DECIMAL:	±0.015625		
ALL HOLES: ±0.0031			
MATERIAL: 5052-H32-0.125" ASTM-B209-04		DDB Unlimited Inc.	
PAINT: DIAMOND VOGEL, BEIGE GLOSS TEXTURE FT-420		DX-UL50E-CLOSED	
DO NOT SCALE DRAWING			
SIZE	Cage Code:	DWG. NO.:	REV
D	385Y5	02058	A
SCALE: 1:12		WEIGHT: 77 lbs.	
			SHEET 2 OF 3

PROPRIETARY AND CONFIDENTIAL
THIS DRAWING IS THE SOLE PROPERTY OF DDB Unlimited, INC. ANY
REPRODUCTION IN PART OR AS A WHOLE WITHOUT THE WRITTEN PERMISSION OF DDB Unlimited, INC. IS PROHIBITED.

DDB FORM: 7.1-2-REV:K 08/02/17

WEB DRAWING (NOT FOR FABRICATION)



BACK VIEW
GASKET NOT SHOWN

UNLESS OTHERWISE SPECIFIED:		DDB Unlimited Inc.	
DIMENSIONS ARE IN INCHES		WOD-62DX-UL50	
ANCHOR:		WOD, 62" H, DX-UL50	
ONE PLACE DECIMAL:	+0.125	SIZE	Cage Code: DWG. NO.: REV
TWO PLACE DECIMAL:	+0.0625	D	385Y5 02058 A
THREE PLACE DECIMAL:	+0.03125	SCALE: 1:12 WEIGHT: 165 lbs. SHEET 3 OF 3	
ALL HOLES: ±0.0031			
MATERIAL: 5052-H32-O.125" ASTM-B209-04			
PAINT: DIAMOND VOGEL, BEIGE GLOSS TEXTURE FT-408			
DO NOT SCALE DRAWING			

PROPRIETARY AND CONFIDENTIAL
THIS DRAWING IS THE SOLE PROPERTY OF DDB Unlimited, INC. ANY
REPRODUCTION IN PART OR AS A WHOLE WITHOUT THE WRITTEN PERMISSION OF DDB Unlimited, INC. IS PROHIBITED.

DDB FORM: 7.1-2-REV:K 08/02/17