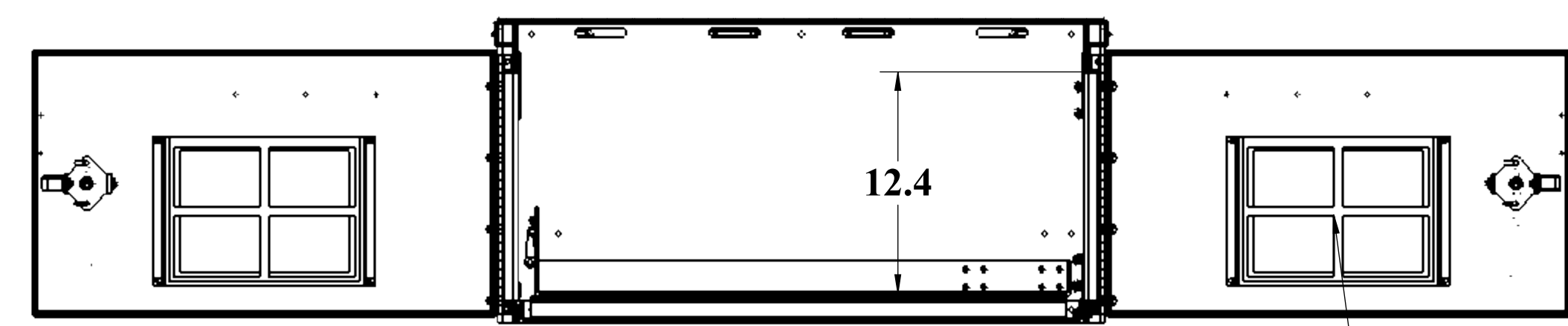
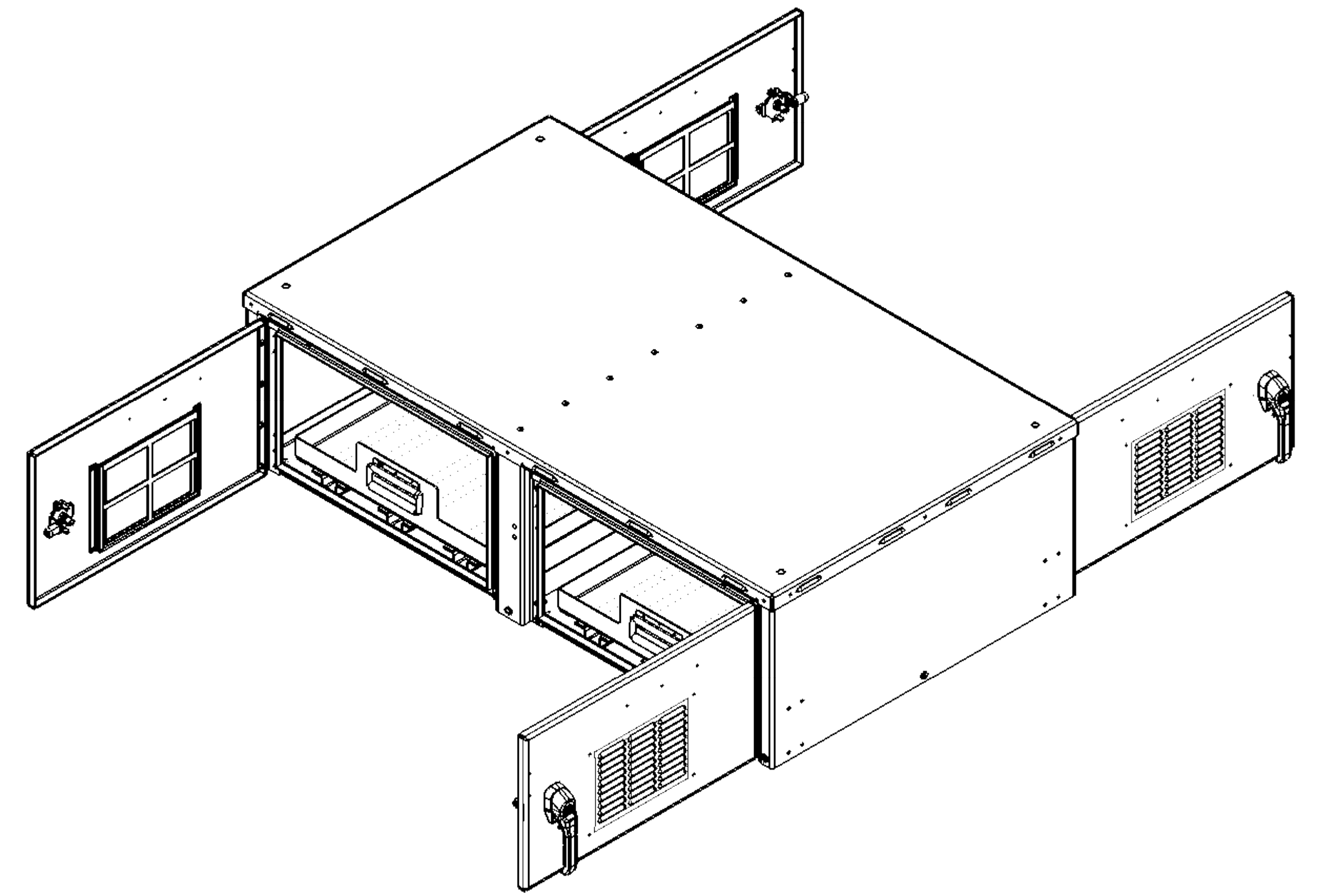
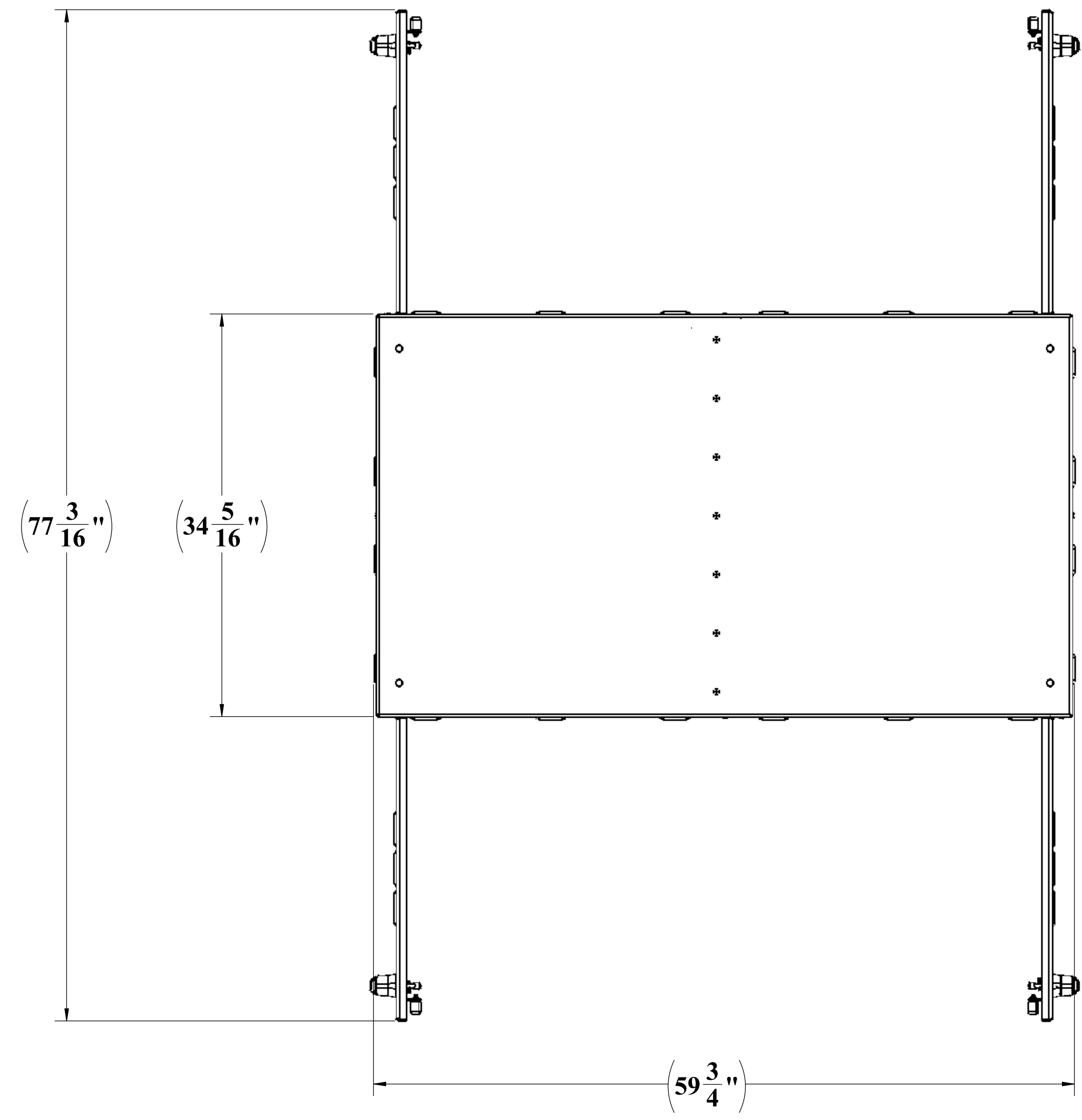
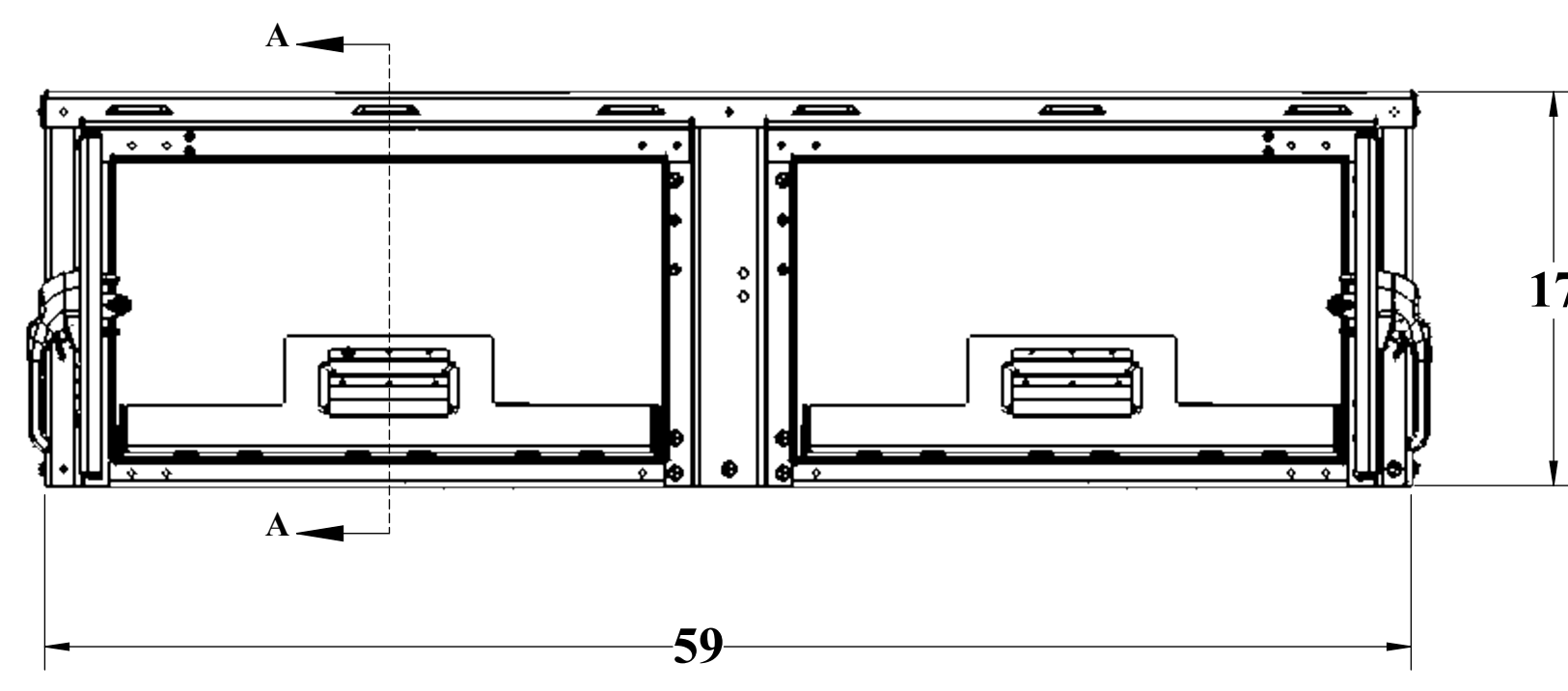


WEB DRAWING (NOT FOR FABRICATION)

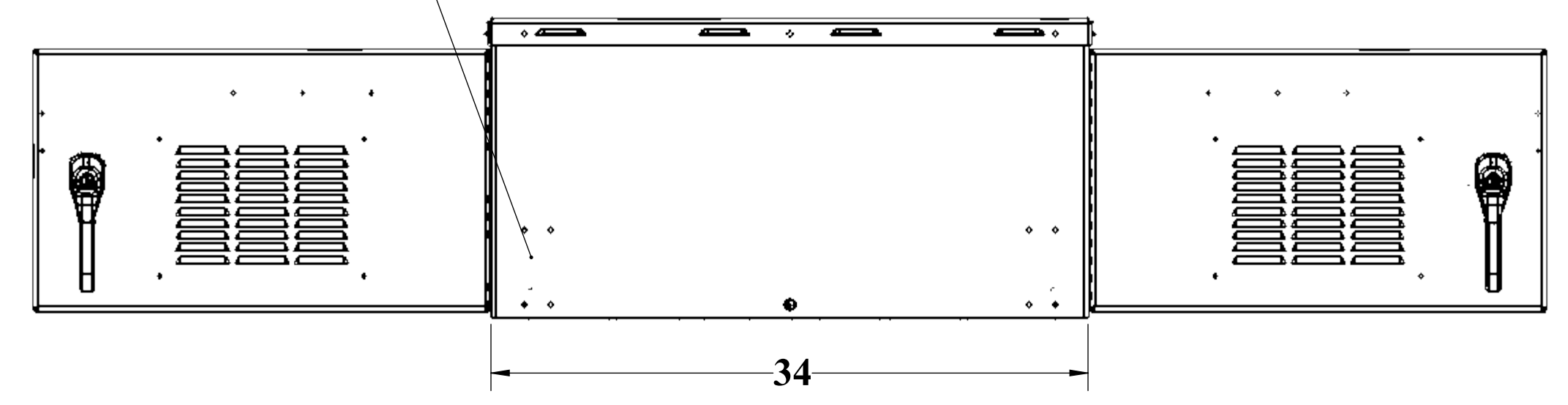
REVISIONS		
REV.	DESCRIPTION	DATE
A	2BOD-DD	6/11/2021



SECTION A-A



MOUNTING FEET OPTIONAL



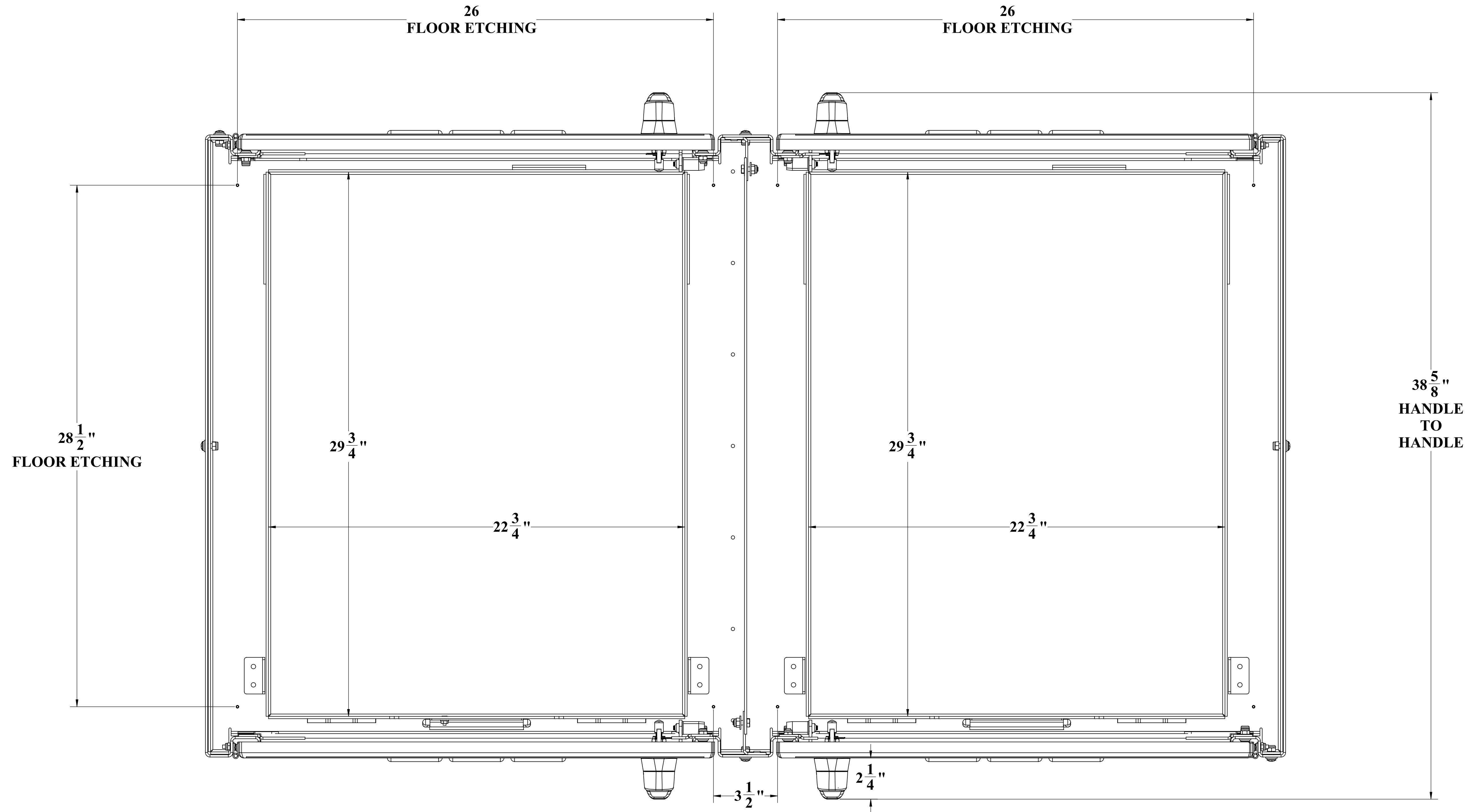
LOUVERS AND FILTER BRACKETS

WEB DRAWING (NOT FOR FABRICATION)

UNLESS OTHERWISE SPECIFIED:		NAME	DATE	DDB Unlimited Inc.		
DIMENSIONS ARE IN INCHES		Model by:	DDB	2BOD-XXXX		
ANGULAR:	1°	Drawn by:	gerone	2BOD-DD		
FRACTIONAL/NO DECIMAL:	1/16	Sales.Rep.:	tray	SIZE	Cage Code:	DWG. NO.:
ONE PLACE DECIMAL:	0.0625	Q.A.Appr.:	ClarkK	D	385Y5	02659
TWO PLACE DECIMAL:	0.0020	Prod.Mgr.:	ClarkK	SCALE: 1:8	WEIGHT: 168 lbs.	REV
THREE PLACE DECIMAL:	0.0010	Control Number:		SHEET 1 OF 2		
ALL HOLES: 1/8" MIN.						
MATERIAL:	5052-H32-0.125" ASTM-B209-04					
PAINT:	PRIMER/POV VEGEL-BIDGE GLOSS TEXTURE ET-4028					
DO NOT SCALE DRAWING						

DDB FORM: 7-1-2 REV:F 05/02/19

WEB DRAWING (NOT FOR FABRICATION)



TOP VIEW, CEILING NOT SHOWN

WEB DRAWING (NOT FOR FABRICATION)

UNLESS OTHERWISE SPECIFIED:		DDB Unlimited Inc.	
DIMENSIONS ARE IN INCHES		2BOD-DD (Web Closed)	
ANCHOR:		2BOD-DD (Closed)	
FRAC TIONAL NO DECIMAL:	±0.125	SIZE	Cage Code: DWG. NO.: REV
ONE PLACE DECIMAL:	±0.0625	D	385Y5 02659 A
TWO PLACE DECIMAL:	±0.03125	SCALE: 1:8	WEIGHT: 168 lbs.
THREE PLACE DECIMAL:	±0.015625	SHEET 2 OF 2	
ALL HOLES: ±0.0031" Ø.			
MATERIAL: 5052-H32-O.125" ASTM-B209-04			
PAINT: DIAMOND VOGEL, BEIGE GLOSS TEXTURE FT-4039			
DO NOT SCALE DRAWING			

UNCLASSIFIED PUBLIC
THE INFORMATION CONTAINED IN THIS DRAWING IS THE SOLE PROPERTY OF DDB Unlimited, INC. ANY REPRODUCTION IN PART OR AS A WHOLE WITHOUT THE WRITTEN PERMISSION OF DDB Unlimited, INC. IS PROHIBITED.