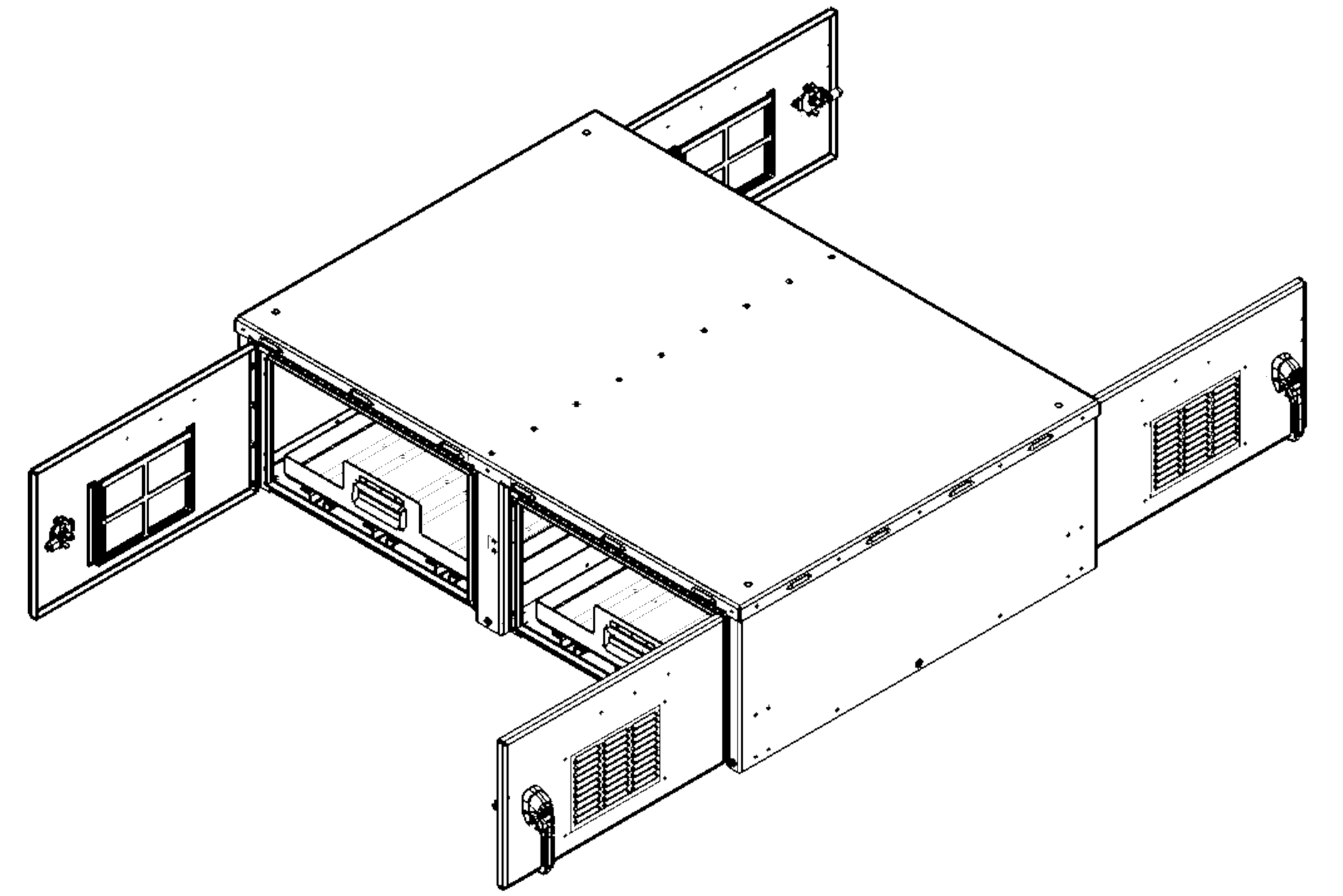
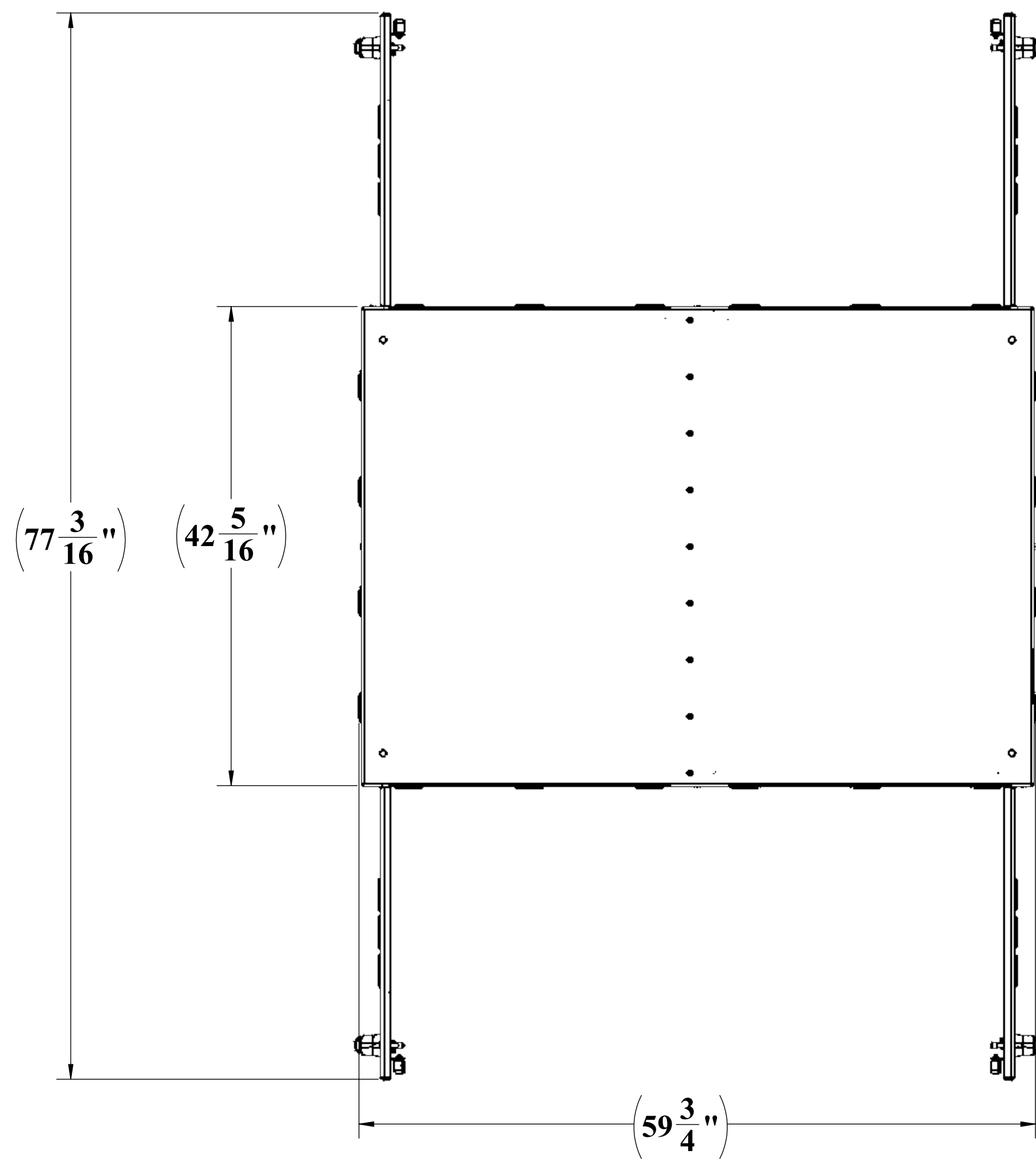
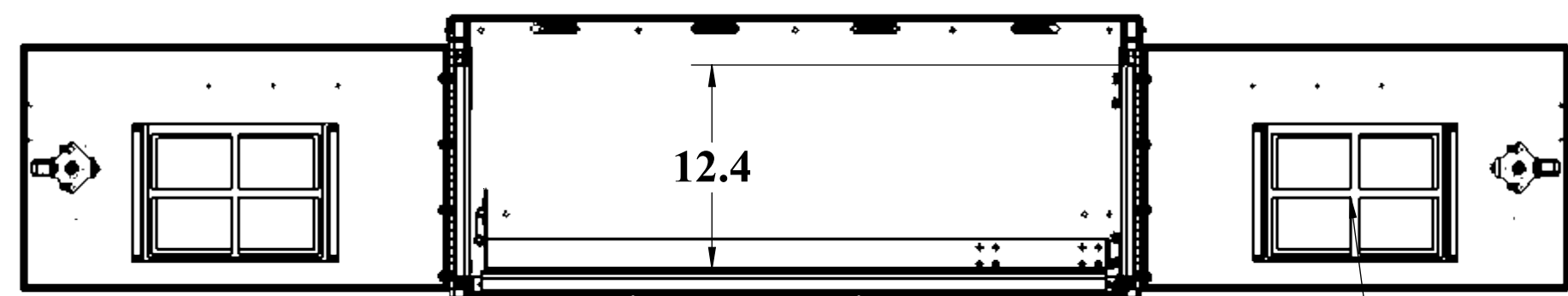


WEB DRAWING (NOT FOR FABRICATION)

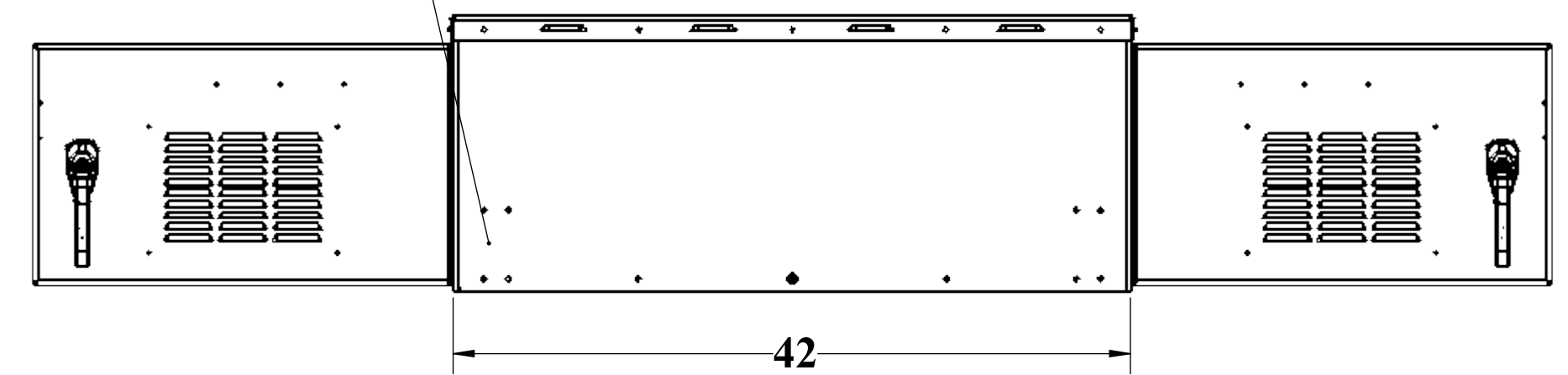
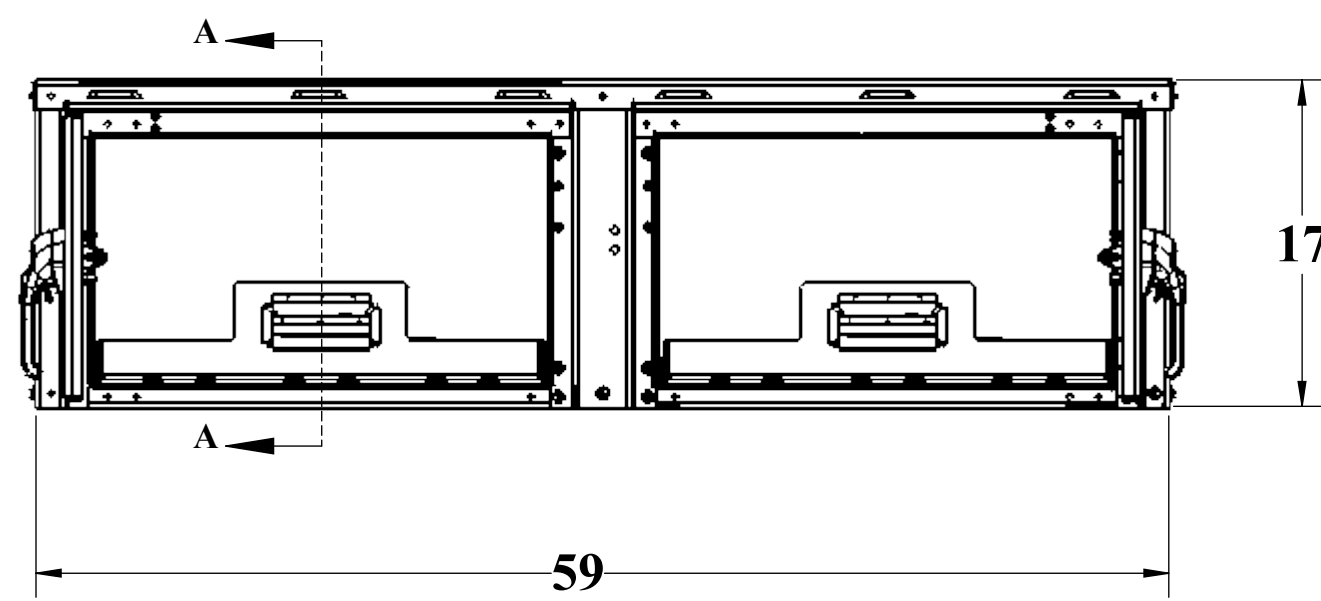
REVISIONS		
REV.	DESCRIPTION	DATE
A	2BOD-DDX	6/11/2021



MOUNTING FEET OPTIONAL



SECTION A-A  
SCALE 1 : 10

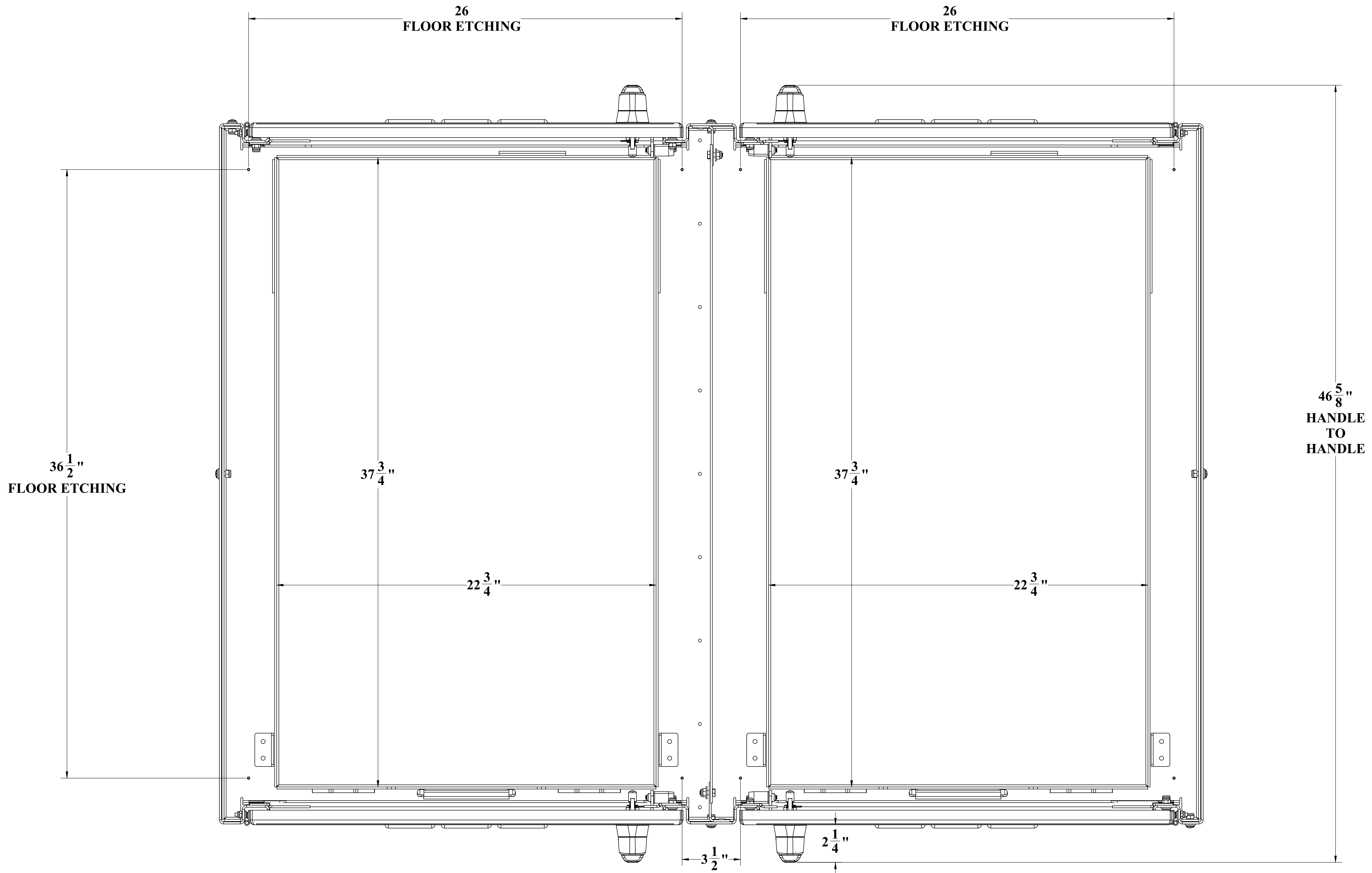


LOUVERS  
AND FILTER  
BRACKETS

WEB DRAWING (NOT FOR FABRICATION)

UNLESS OTHERWISE SPECIFIED:		NAME	DATE	DDB Unlimited Inc.			
DIMENSIONS ARE IN INCHES				2BOD-XXXX		2BOD-DDX	
ANGULAR:	11°	Model by:	DDB	06/10/21			
FRACTIONAL/NO DECIMAL:	1/16	Drawn by:	gerone	06/10/21			
ONE PLACE DECIMAL:	0.0625	Sales.Rep.:			SIZE	Cage Code:	DWG. NO.:
TWO PLACE DECIMAL:	0.0020	Q.A.Appr.:	tray	06/11/21	D	385Y5	02660
THREE PLACE DECIMAL:	0.0005	Prod.Mgr.:	ClarkK	06/11/21			REV
ALL HOLES: 1/8" MIN. DIA.		Control Number:			SCALE: 1:8	WEIGHT: 199 lbs.	SHEET 1 OF 2
MATERIAL: 5052-H32-0.125" ASTM-B209-04							
PAINT: DIAMOND VOGEL BRIDGE GLOSS TEXTURE ET-4028							
DO NOT SCALE DRAWING							

WEB DRAWING (NOT FOR FABRICATION)



36 1/2" FLOOR ETCHING

26 FLOOR ETCHING

26 FLOOR ETCHING

46 5/8" HANDLE TO HANDLE

37 3/4"

37 3/4"

22 3/4"

22 3/4"

3 1/2"

2 1/4"

TOP VIEW, CEILING NOT SHOWN

WEB DRAWING (NOT FOR FABRICATION)

UNLESS OTHERWISE SPECIFIED:		<b>DDB Unlimited Inc.</b>	
DIMENSIONS ARE IN INCHES		2BOD-DDX (Web Closed)	
ANCHOR:		2BOD-DDX (Closed)	
FRAC TIONAL NO DECIMAL:	+0.125	SIZE	Cage Code: DWG. NO.: REV
ONE PLACE DECIMAL:	+0.0625	D	385Y5 02660 A
TWO PLACE DECIMAL:	+0.03125	SCALE: 1:8	WEIGHT: 199 lbs.
THREE PLACE DECIMAL:	+0.015625	SHEET 2 OF 2	
ALL HOLES: ±0.0010			
MATERIAL: 5052-H32-O.125" ASTM-B209-04			
PAINT: DIAMOND VOGEL, BEIGE GLOSS TEXTURE FT-403			
DO NOT SCALE DRAWING			

UNCLASSIFIED PUBLIC THE INFORMATION CONTAINED IN THIS DRAWING IS THE SOLE PROPERTY OF DDB Unlimited, INC. ANY REPRODUCTION IN PART OR AS A WHOLE WITHOUT THE WRITTEN PERMISSION OF DDB Unlimited, INC. IS PROHIBITED.

File Location: (DDB)\EPDM Vault\ C:\DDB\Drawing Requests\Customers\DDB WEB DWG\2BOD-XXXX\2BOD-DDX\

DDB FORM: 7.1-2-REV:K 08/02/17