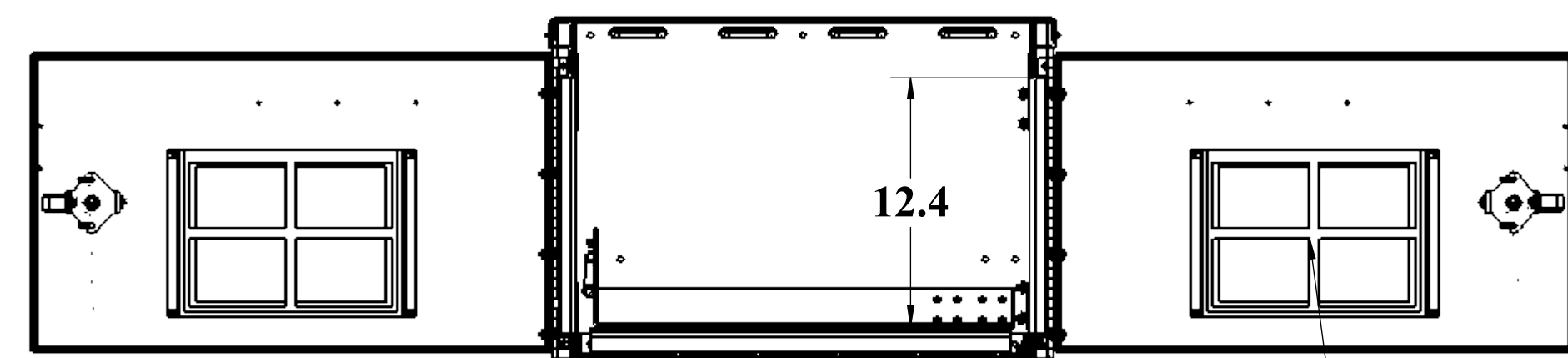
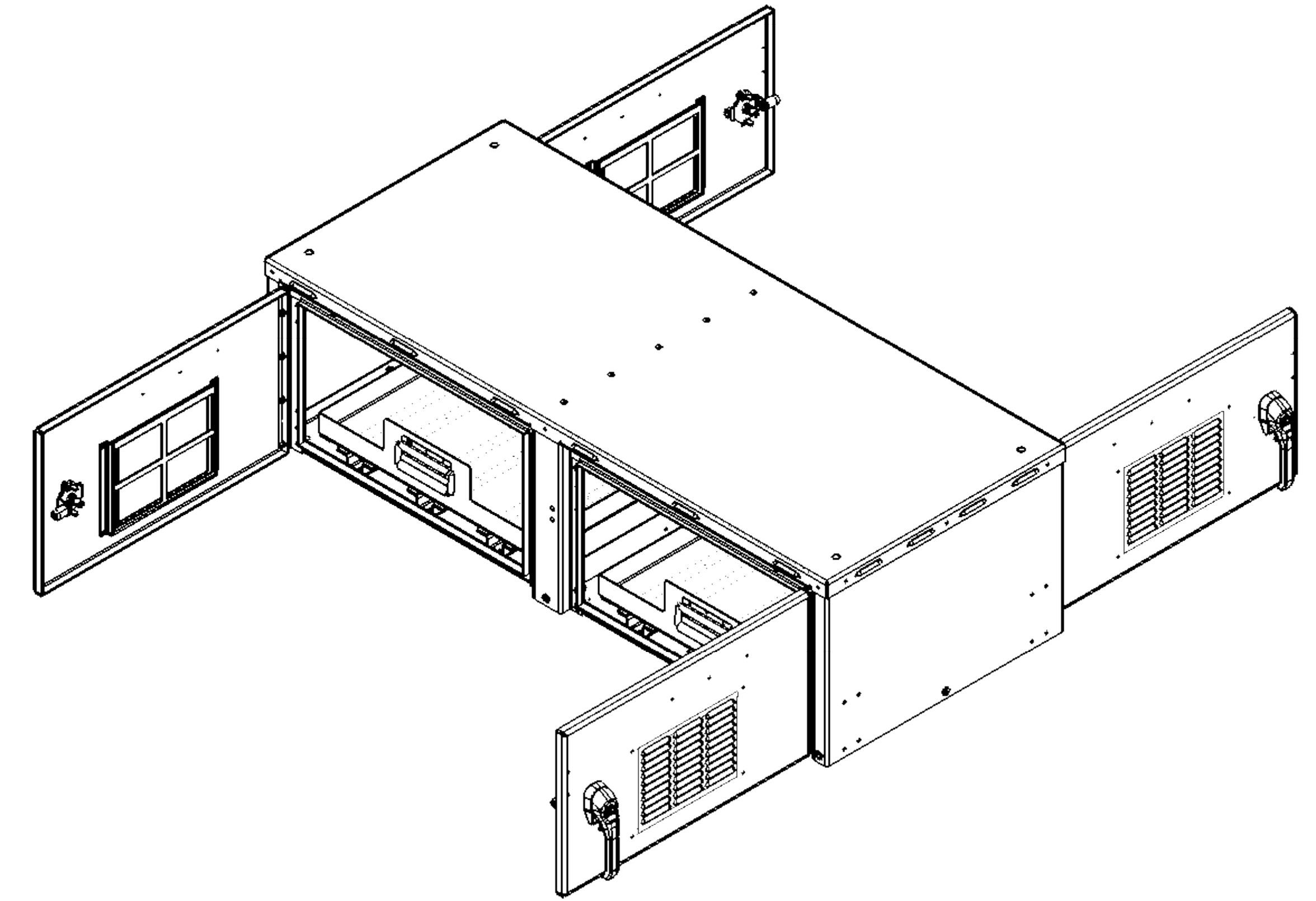
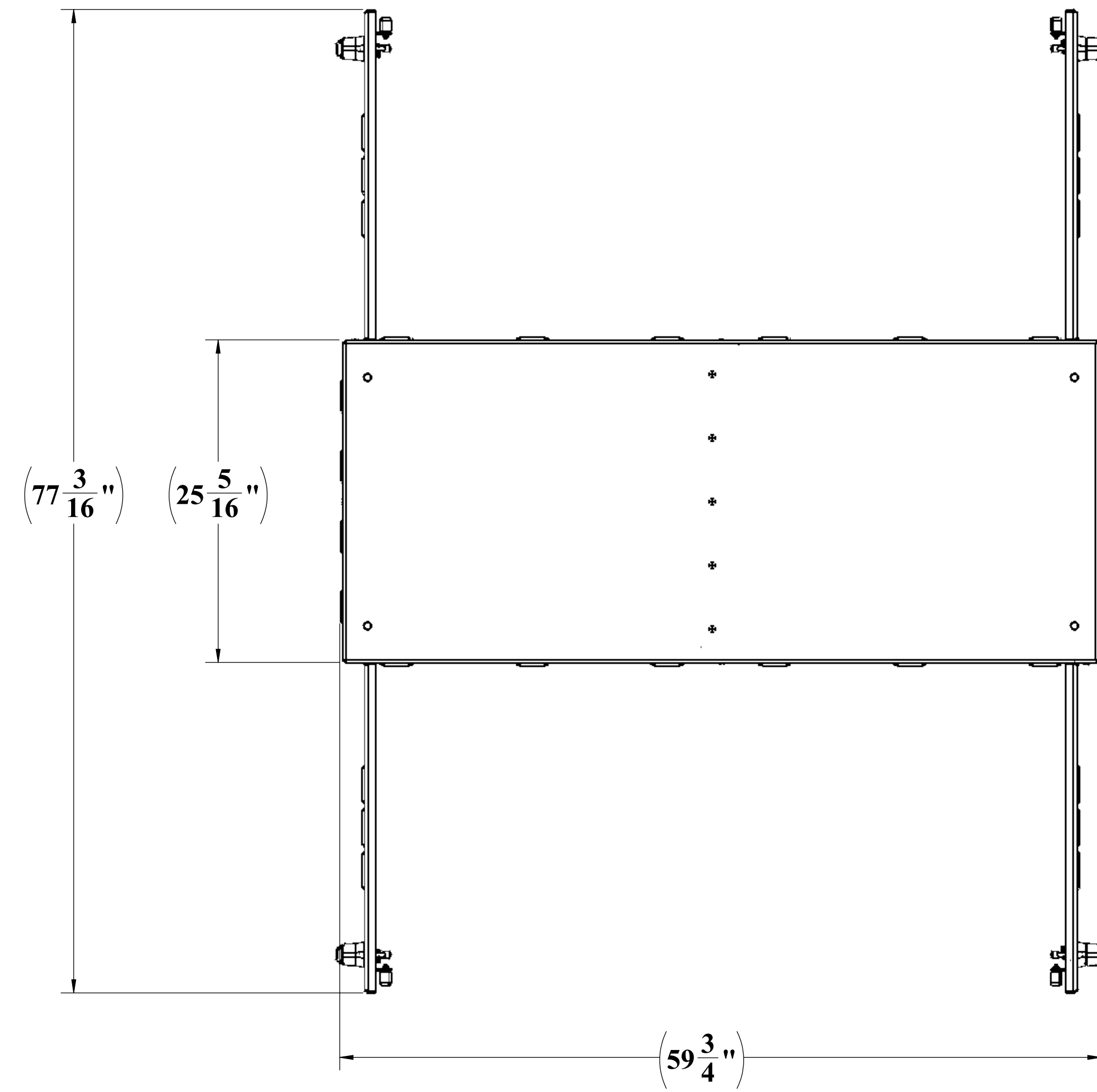
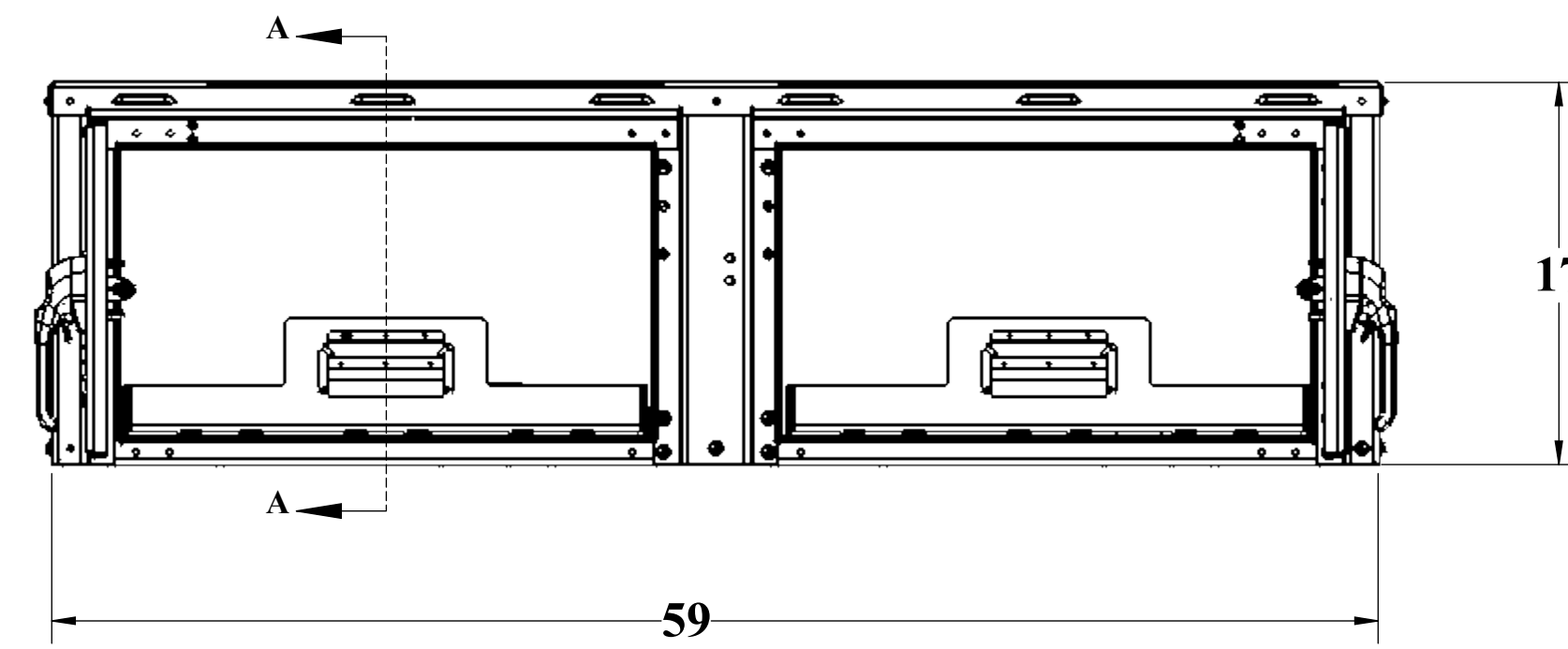


WEB DRAWING (NOT FOR FABRICATION)

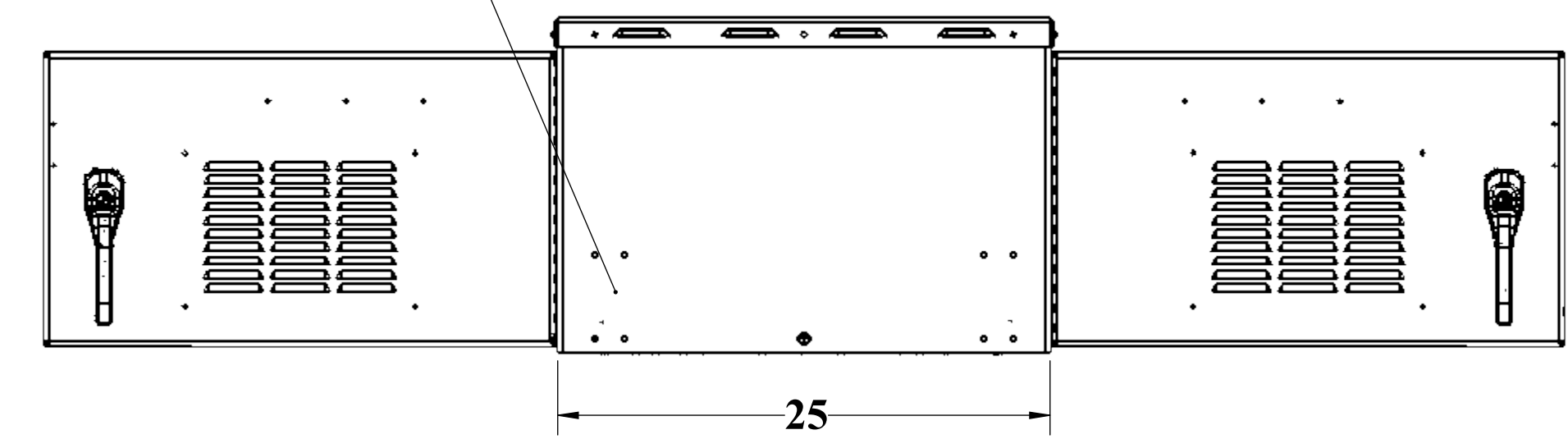
REVISIONS		
REV.	DESCRIPTION	DATE
A	2BOD-DX	6/11/2021



SECTION A-A



MOUNTING FEET OPTIONAL

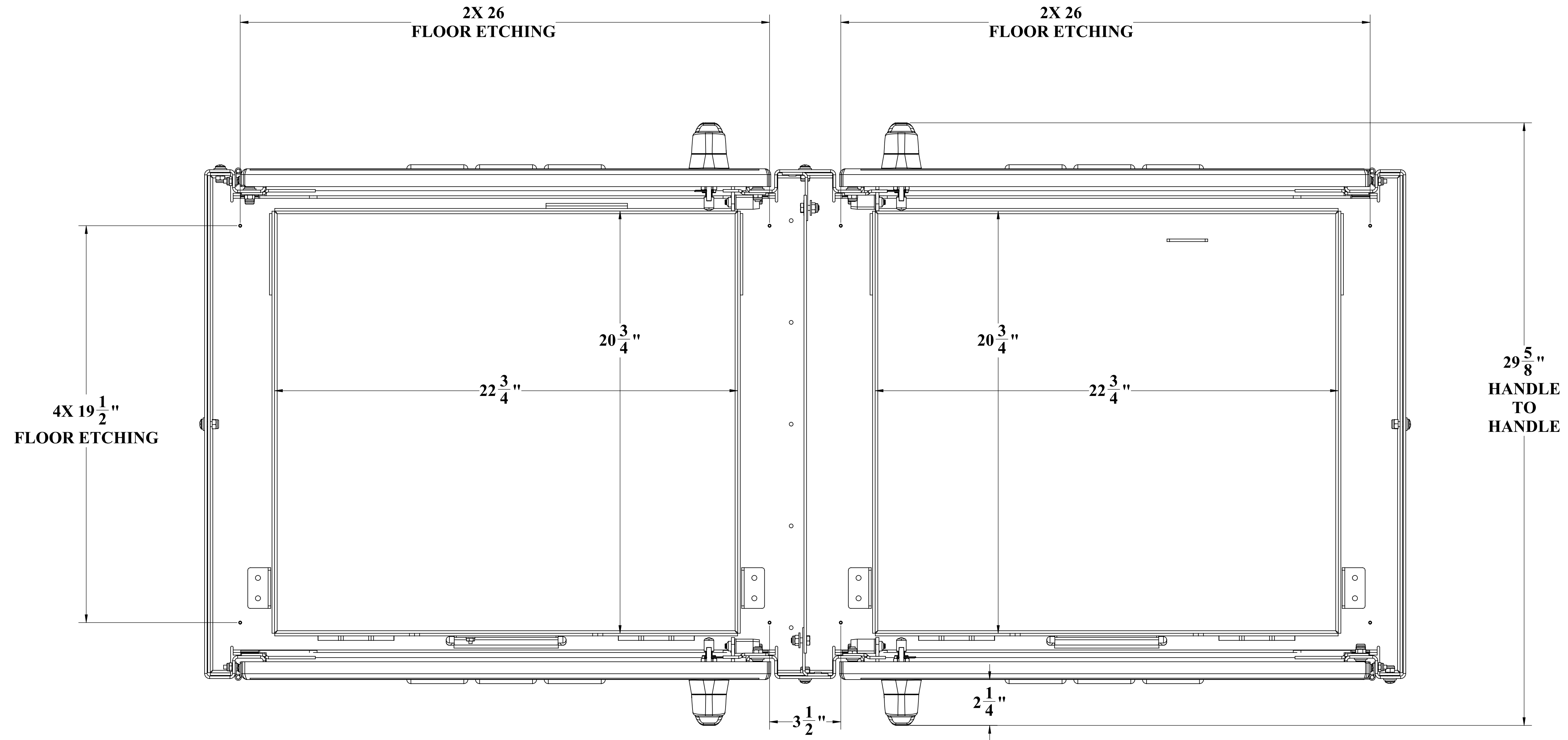


LOUVERS AND FILTER BRACKETS

WEB DRAWING (NOT FOR FABRICATION)

UNLESS OTHERWISE SPECIFIED:		NAME	DATE	DDB Unlimited Inc.			
DIMENSIONS ARE IN INCHES				2BOD-XXXX			
ANGULAR:	±1°	Model by:	DDB	06/10/21	2BOD-DX		
FRACTIONAL/NO DECIMAL:	±0.1250	Drawn by:	gerone	06/10/21	SIZE	Cage Code:	DWG. NO.:
ONE PLACE DECIMAL:	±0.0625	Sales.Rep.:			D	385Y5	02658
TWO PLACE DECIMAL:	±0.03125	Q.A.Appr.:	tray	06/11/21	SCALE:	1:8	WEIGHT: 135 lbs.
THREE PLACE DECIMAL:	±0.015625	Prod.Mgr.:	ClarkK	06/11/21	Control Number:		SHEET 1 OF 2
MATERIAL: 5052-H32-0.125" ASTM-B209-04							
PAINT: DIAMOND VOGEL-BRIDGE GLOSS TEXTURE ET-4028							
DO NOT SCALE DRAWING							

WEB DRAWING (NOT FOR FABRICATION)



TOP VIEW, CEILING NOT SHOWN

WEB DRAWING (NOT FOR FABRICATION)

UNLESS OTHERWISE SPECIFIED:		DDB Unlimited Inc.	
DIMENSIONS ARE IN INCHES		2BOD-DX (Web Closed)	
ANCHOR:		2BOD-DX (Web Closed)	
FRACTIONAL NO DECIMAL: ±.125		2BOD-DX (Web Closed)	
ONE PLACE DECIMAL: ±.0625		SCALE: 1:8	
TWO PLACE DECIMAL: ±.03125		WEIGHT: 135 lbs.	
THREE PLACE DECIMAL: ±.015625		SHEET 2 OF 2	
ALL HOLES: ±.0031" Ø.			
MATERIAL: 5052-H32-0.125" ASTM-B209-04			
PAINT: DIAMOND VOGEL, BEIGE GLOSS TEXTURE FT-1439			
DO NOT SCALE DRAWING			

UNCLASSIFIED PUBLIC
 THE INFORMATION CONTAINED IN THIS DRAWING IS THE SOLE PROPERTY OF DDB Unlimited, INC. ANY REPRODUCTION IN PART OR AS A WHOLE WITHOUT THE WRITTEN PERMISSION OF DDB Unlimited, INC. IS PROHIBITED.