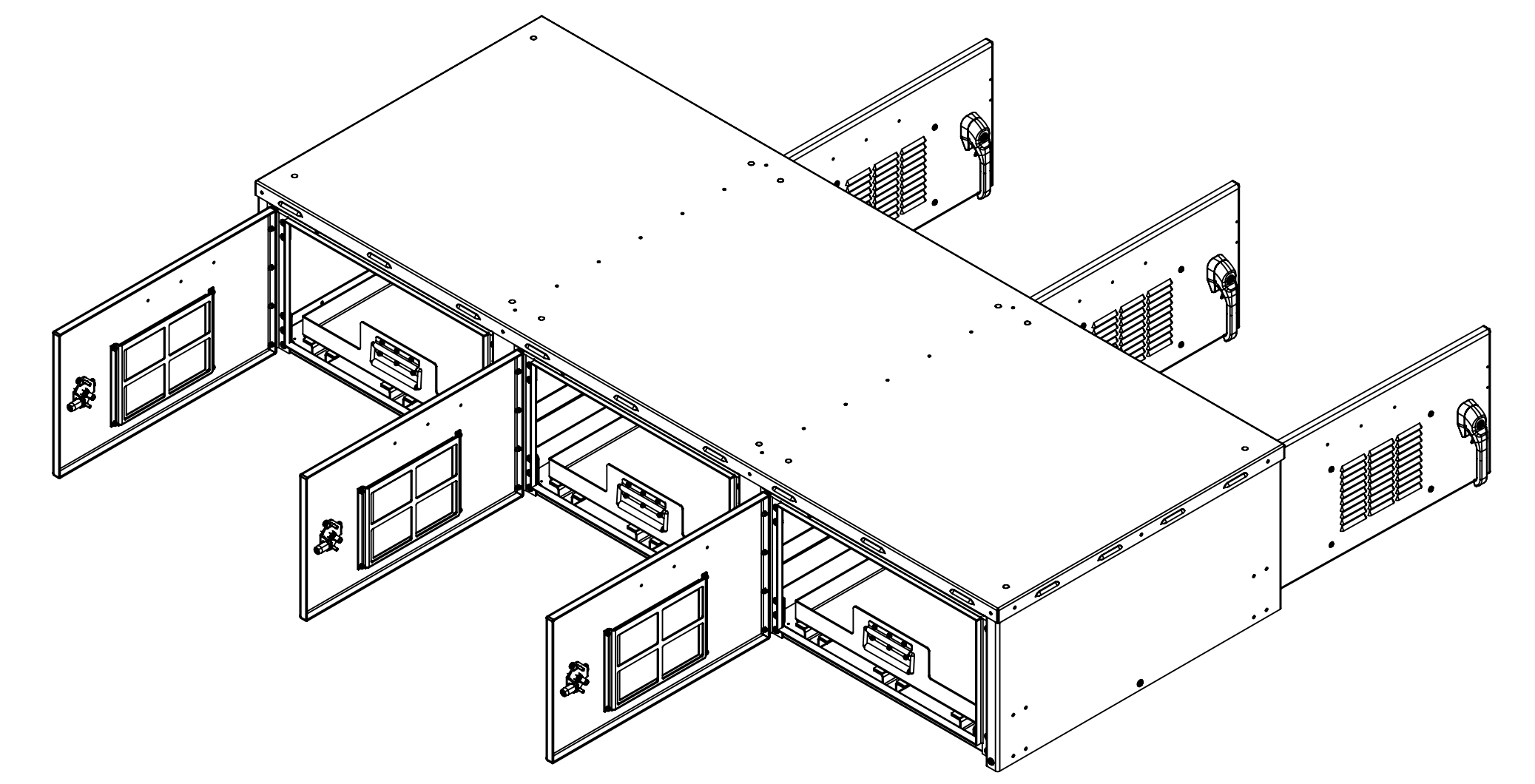
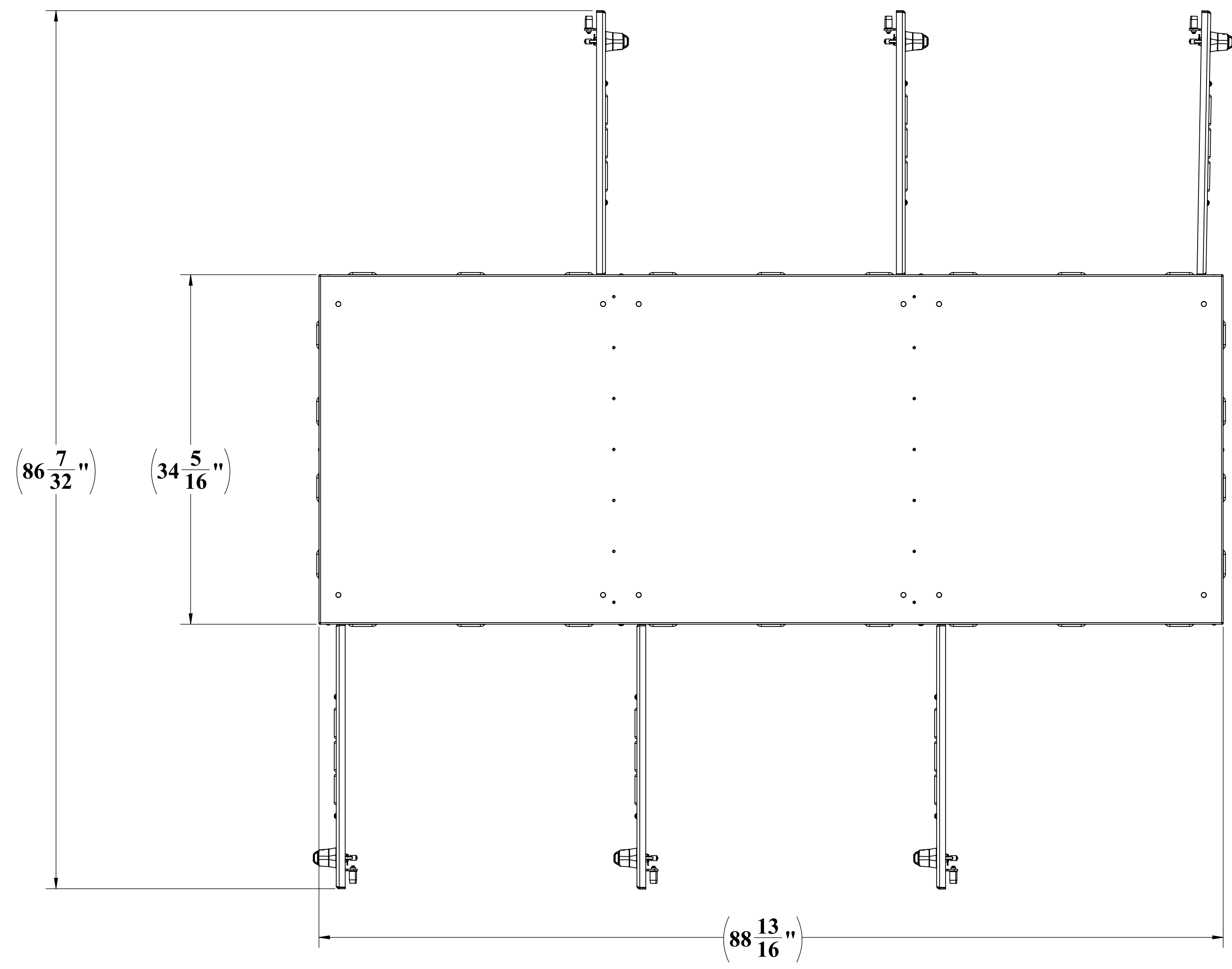


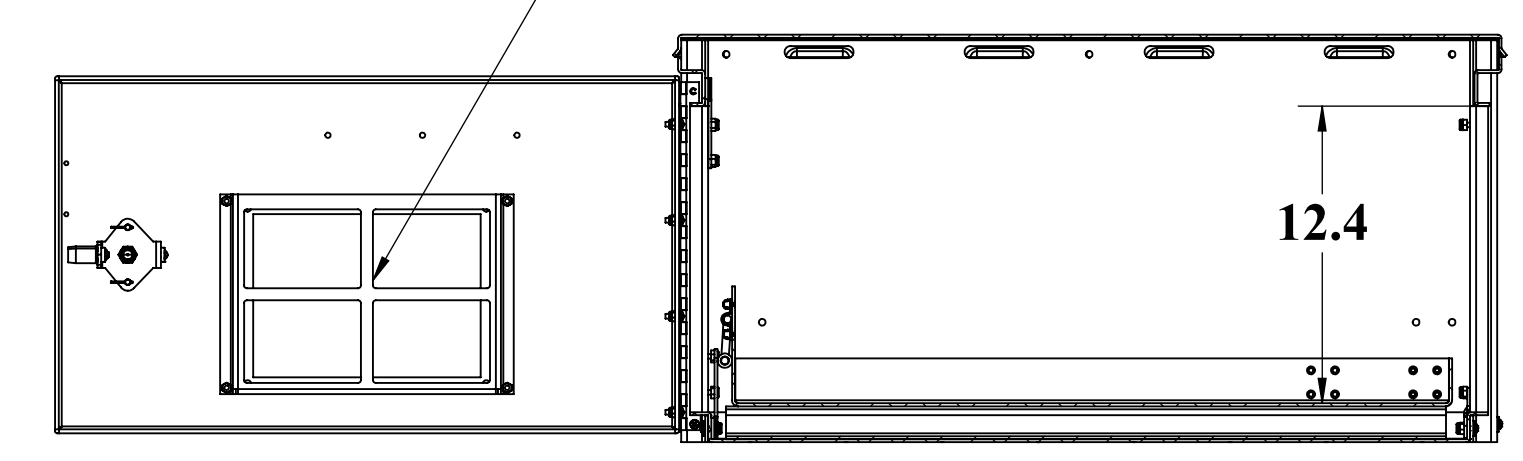
WEB DRAWING (NOT FOR FABRICATION)

REVISIONS		
REV.	DESCRIPTION	DATE
A	3BOD-DD	1/17/2023

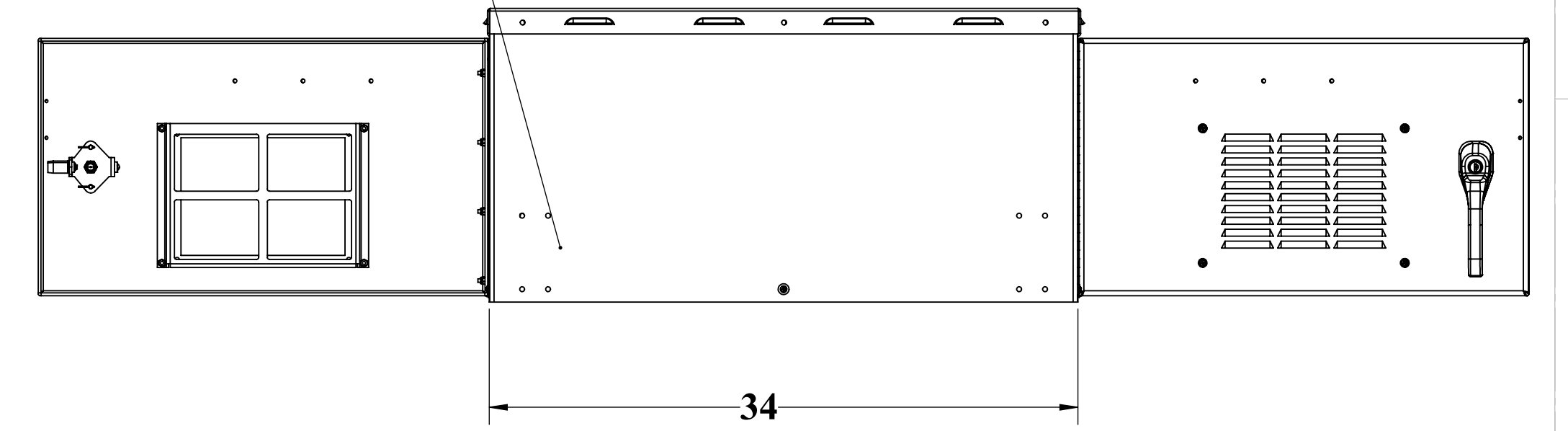
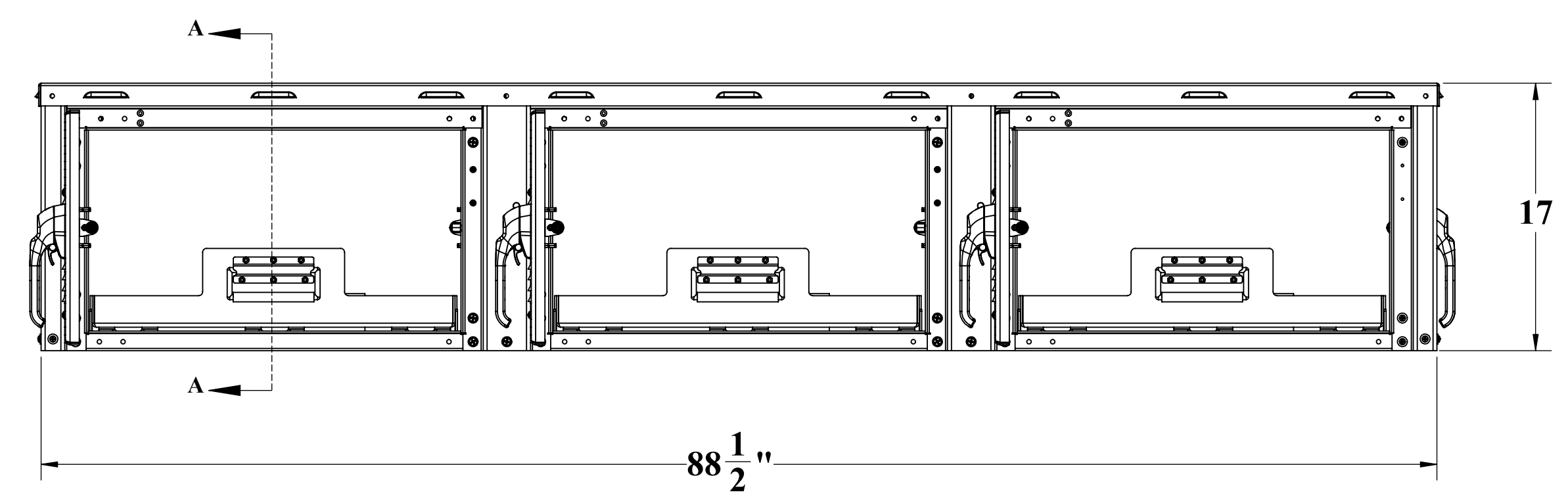


LOUVERS AND FILTER BRACKETS

MOUNTING FEET OPTIONAL



SECTION A-A
SCALE 1 : 8

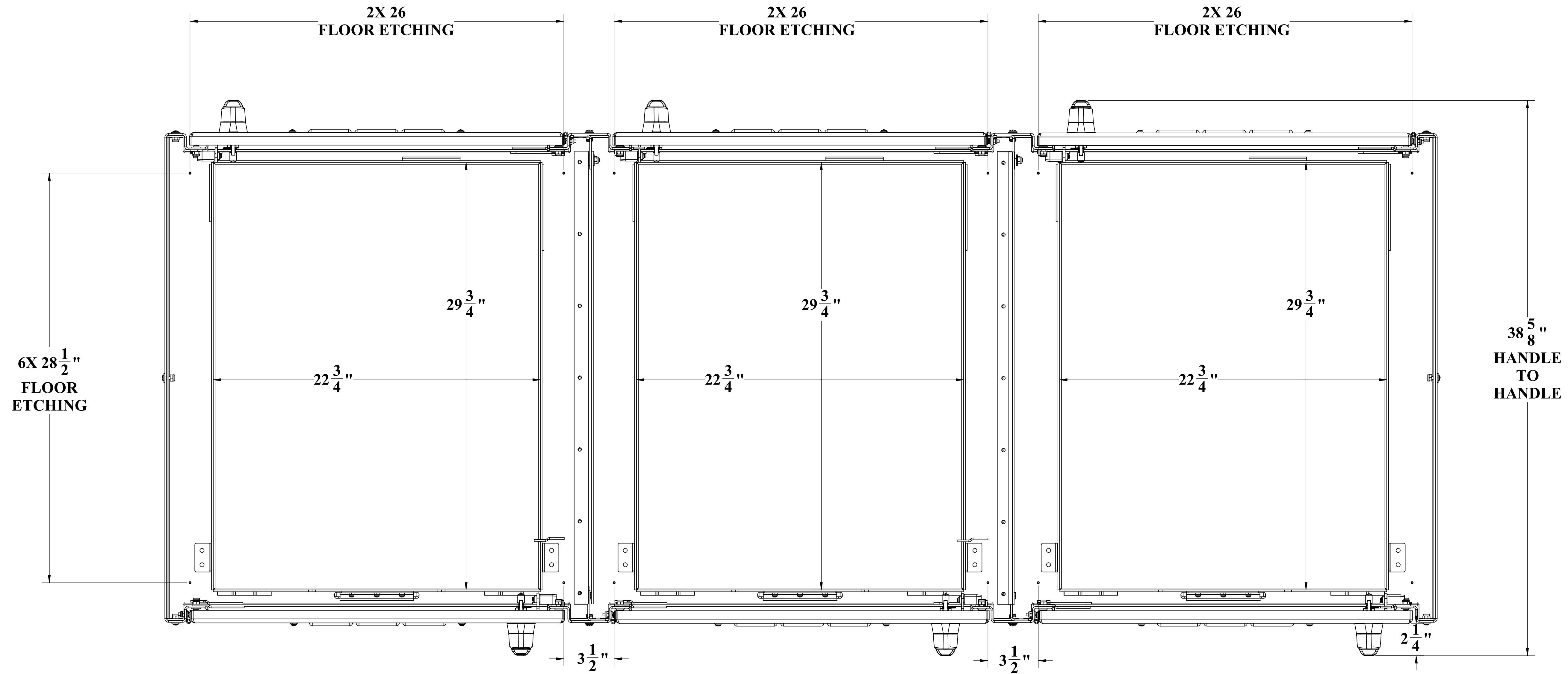


WEB DRAWING (NOT FOR FABRICATION)

UNLESS OTHERWISE SPECIFIED: DIMENSIONS ARE IN INCHES		NAME	DATE	DDB Unlimited Inc.		
ANGULAR:	±1°	Model by:	DDB	3BOD-DD		
FRACTIONAL/NO DECIMAL:	±0.1250	Drawn by:	gerone	SIZE	Cage Code:	DWG. NO.:
ONE PLACE DECIMAL:	±0.0625	Sales.Rep.:	Bryan C.	D	385Y5	02926
TWO PLACE DECIMAL:	±0.03125	Q.A.Appr.:	tray	SCALE:	1:12	WEIGHT: 229 lbs.
THREE PLACE DECIMAL:	±0.015625	Prod.Mgr.:	ClarkK	Control Number:	SHEET 1 OF 2	
ALL HOLES: ±0.0010						
MATERIAL:	5052-H32-0.125" ASTM-B209-04					
PAINT:	RAMPOD VOGEL-BLUE GLOSS TEXTURE ET-4328					
DO NOT SCALE DRAWING						

DDB FORM: 7-1-2 REV.F 05/02/19

WEB DRAWING (NOT FOR FABRICATION)



WEB DRAWING (NOT FOR FABRICATION)

UNLESS OTHERWISE SPECIFIED:		DDB Unlimited Inc.	
DIMENSIONS ARE IN INCHES		380D-DD (Closed)	
ANGULAR:	±1°	SIZE	Cage Code: DWG. NO.: REV
FRACTIONAL NO. DECIMAL:	±0.1250	D	385Y5 02926 A
ONE PLACE DECIMAL:	±0.0625	SCALE: 1:12 WEIGHT: 229 lbs. SHEET 2 OF 2	
TWO PLACE DECIMAL:	±0.03125		
THREE PLACE DECIMAL:	±0.015625		
ALL HOLES:	±0.0031" Ø		
MATERIAL:	5052-H32-0.125" ASTM-B209-04		
PAINT:	DIAMOND VOGEL, BEIGE GLOSS TEXTURE FT-4039		
DO NOT SCALE DRAWING			

UNCLASSIFIED PUBLIC