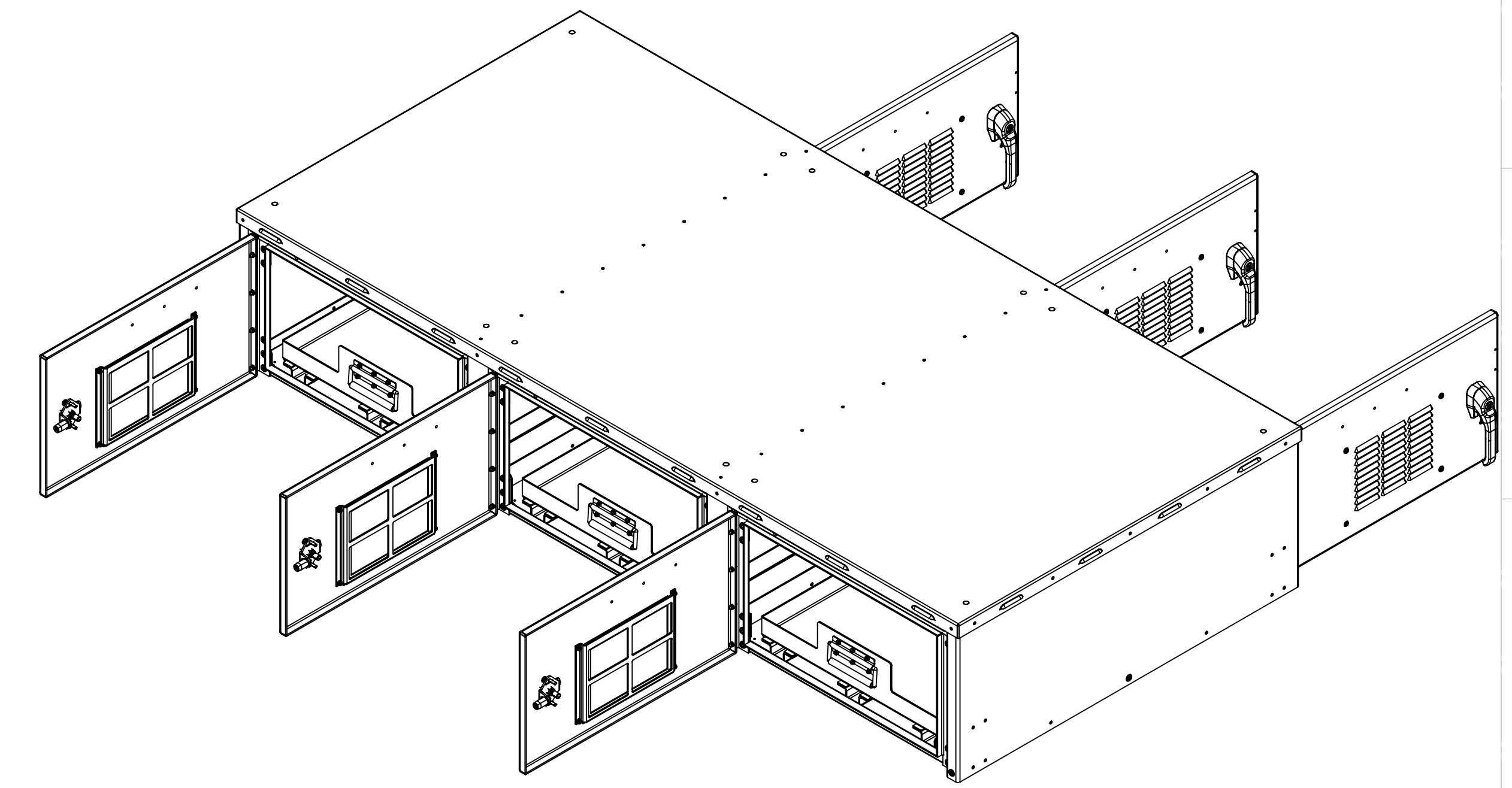
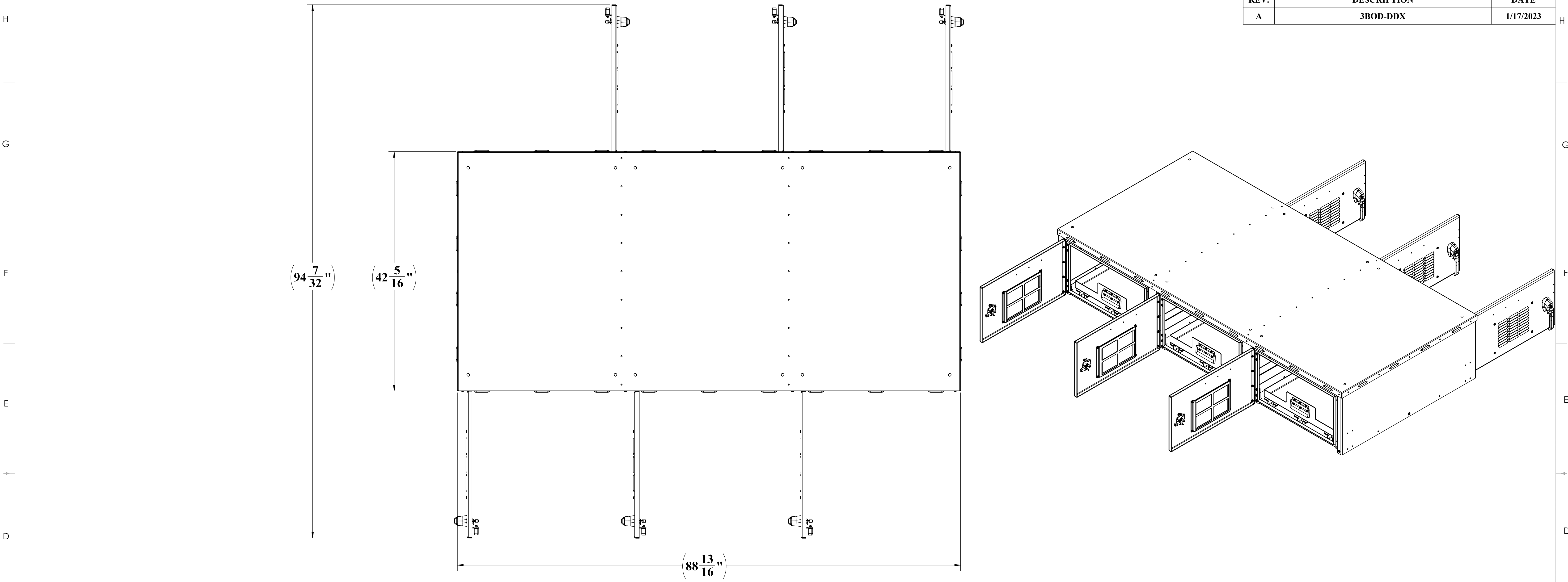


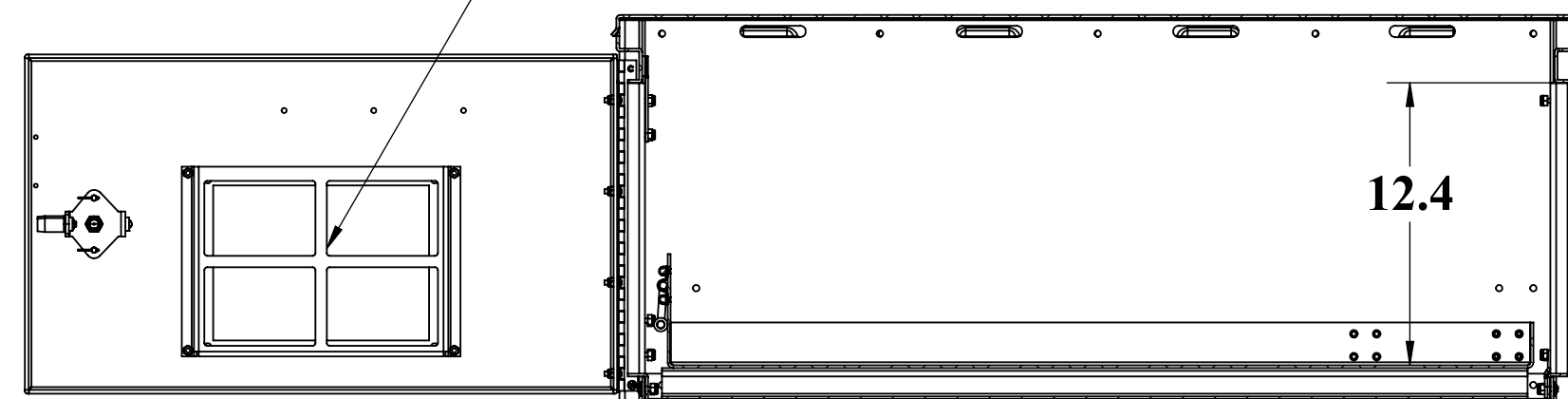
WEB DRAWING (NOT FOR FABRICATION)

REVISIONS		
REV.	DESCRIPTION	DATE
A	3BOD-DDX	1/17/2023

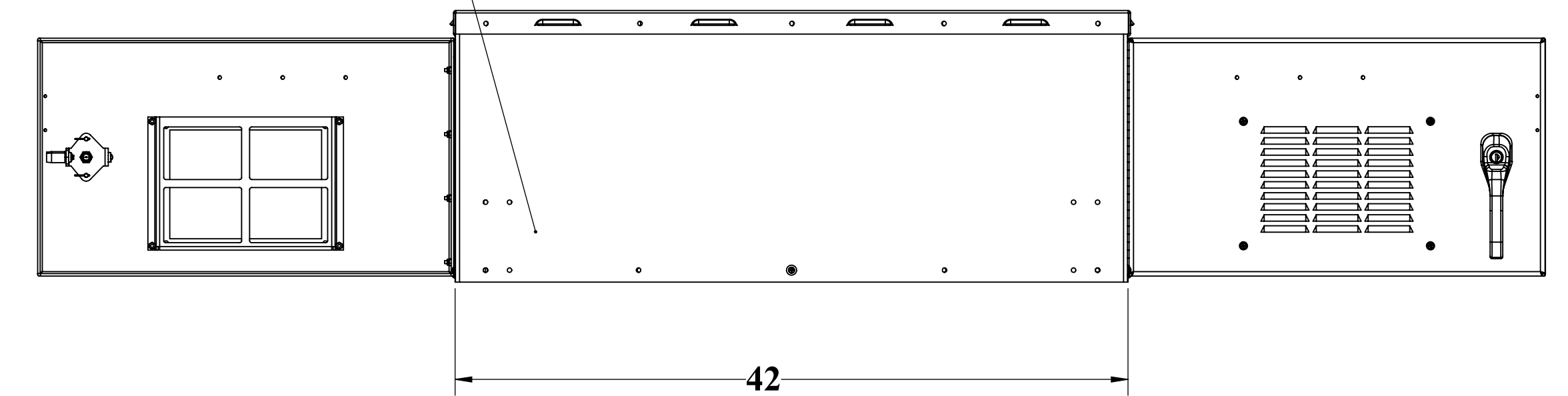
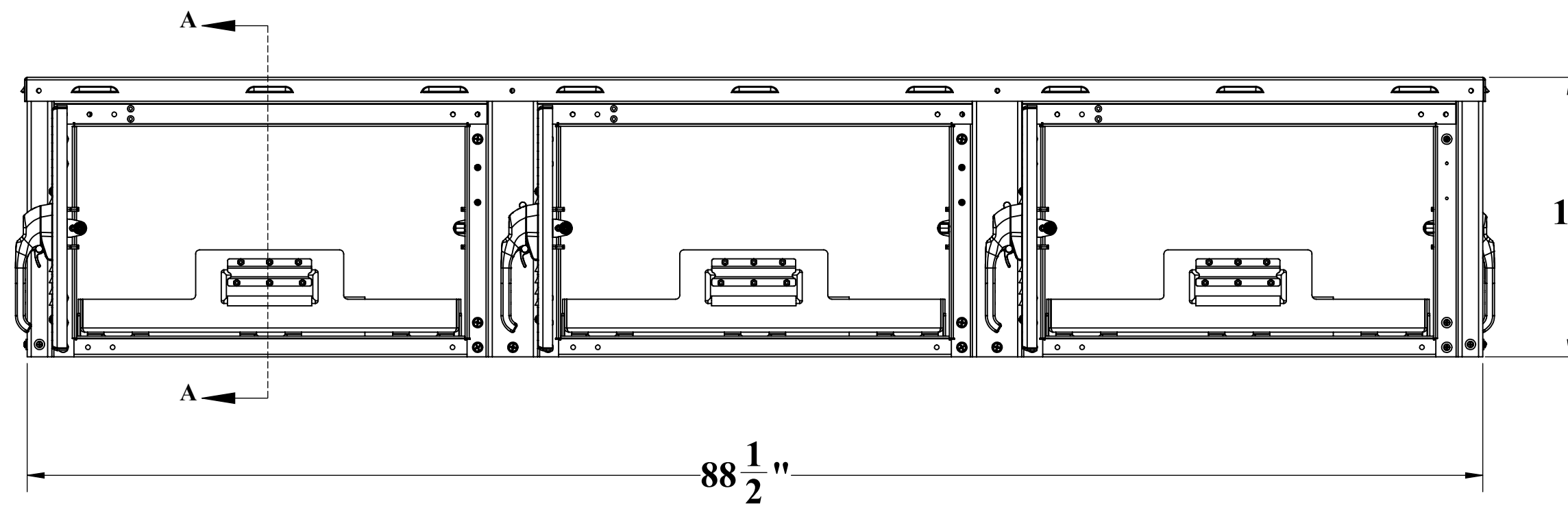


LOUVERS
AND FILTER
BRACKETS

MOUNTING FEET OPTIONAL



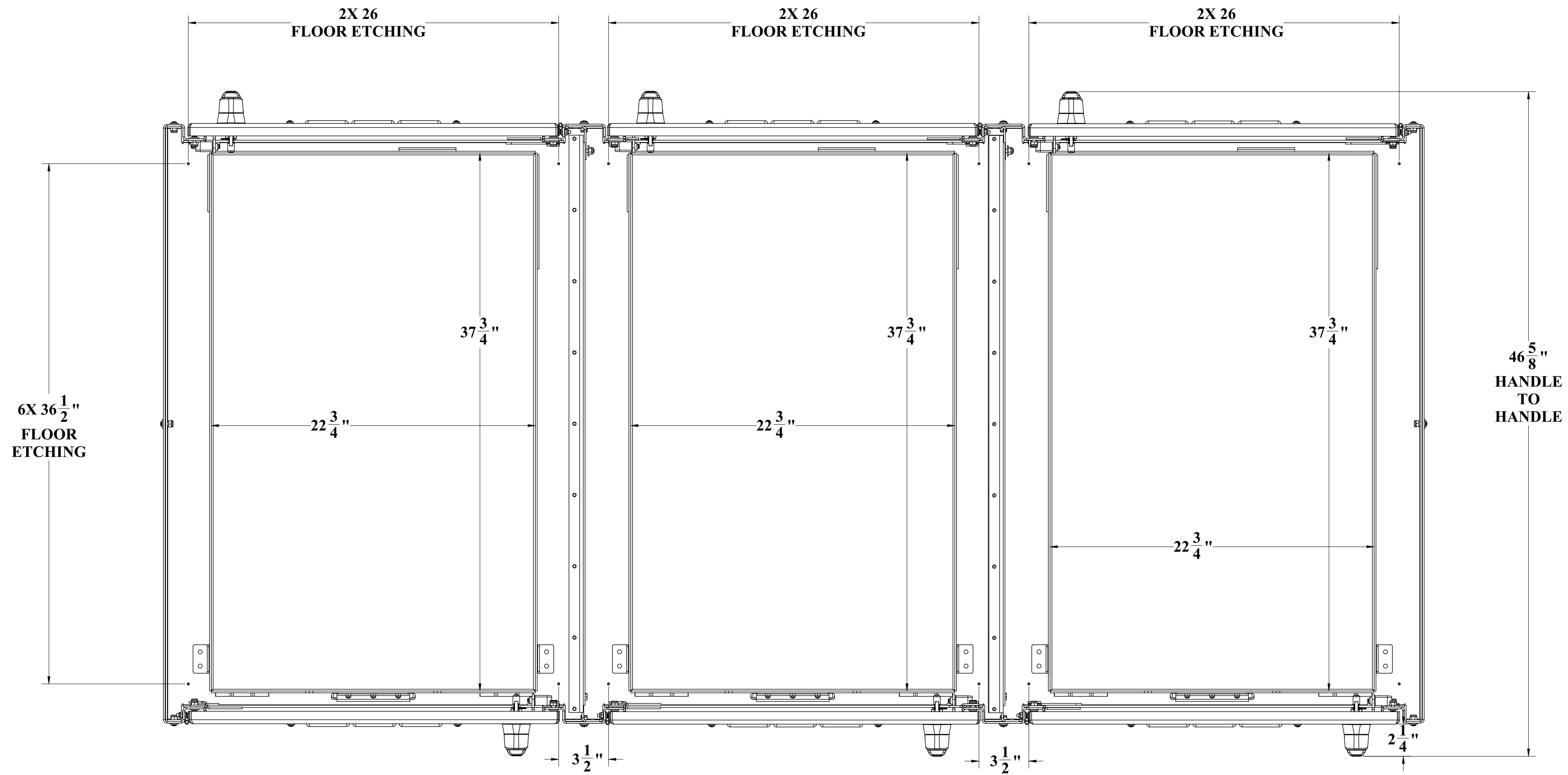
SECTION A-A
SCALE 1:8



WEB DRAWING (NOT FOR FABRICATION)

UNLESS OTHERWISE SPECIFIED:		NAME	DATE	DDB Unlimited Inc.		
DIMENSIONS ARE IN INCHES		Model by:	DDB	3BOD-DDX		
ANGULAR:	1°	Drawn by:	gerone	SIZE	Cage Code:	DWG. NO.:
FRACTIONAL/NO DECIMAL:	1/16	Sales.Rep.:	Bryan C.	D	385Y5	02927
ONE PLACE DECIMAL:	0.0625	Q.A. Appr.:	troy	SCALE:	1:12	WEIGHT: 263 lbs.
TWO PLACE DECIMAL:	0.0020	Prod.Mgr.:	ClarkK	SHEET 1 OF 2		
THREE PLACE DECIMAL:	0.00150	Control Number:				
ALL HOLES: #10/32						
MATERIAL:	5052-H32-0.125" ASTM-B209-04					
PAINT:	BRANDON VOGEL, BRIDGE GLOSS TEXTURE ET-4328					
DO NOT SCALE DRAWING						

WEB DRAWING (NOT FOR FABRICATION)



WEB DRAWING (NOT FOR FABRICATION)

UNLESS OTHERWISE SPECIFIED:		DDB Unlimited Inc.	
DIMENSIONS ARE IN INCHES		380D-DDX (Closed)	
ANGULAR:	±1°	SIZE	Cage Code: DWG. NO.: REV
FRACTIONAL NO. DECIMAL:	±0.125	D	385Y5 02927 A
ONE PLACE DECIMAL:	±0.0625	SCALE: 1:12 WEIGHT: 263 lbs. SHEET 2 OF 2	
TWO PLACE DECIMAL:	±0.03125		
THREE PLACE DECIMAL:	±0.015625		
ALL HOLES: ±0.0031" Ø.			
MATERIAL: 5052-H32-O.125" ASTM-B209-04			
PAINT: DIAMOND VOGEL, BEIGE GLOSS TEXTURE FT-1039			
DO NOT SCALE DRAWING			

UNCLASSIFIED PUBLIC

DDB FORM: 7.1-2-REV:K 08/02/17