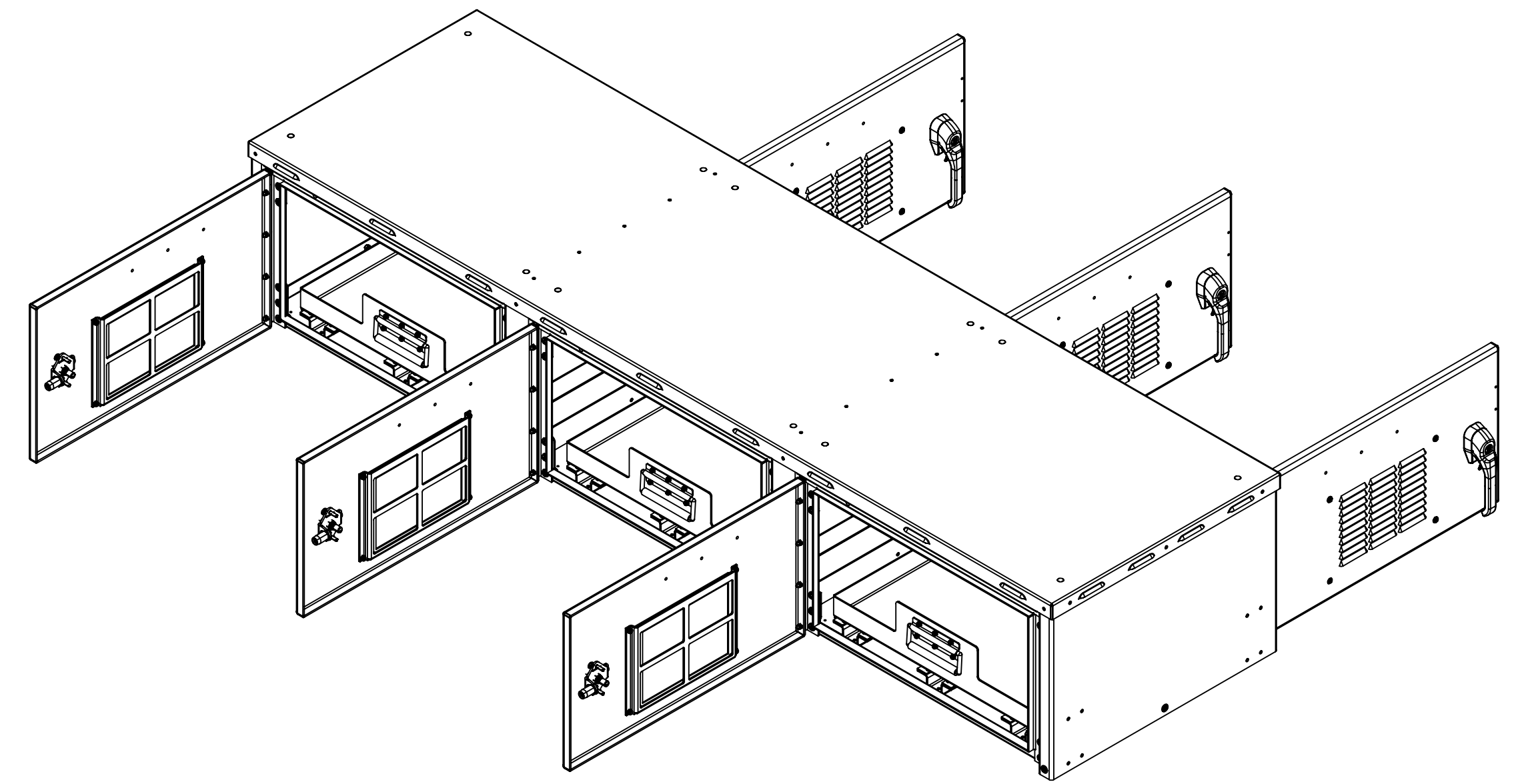
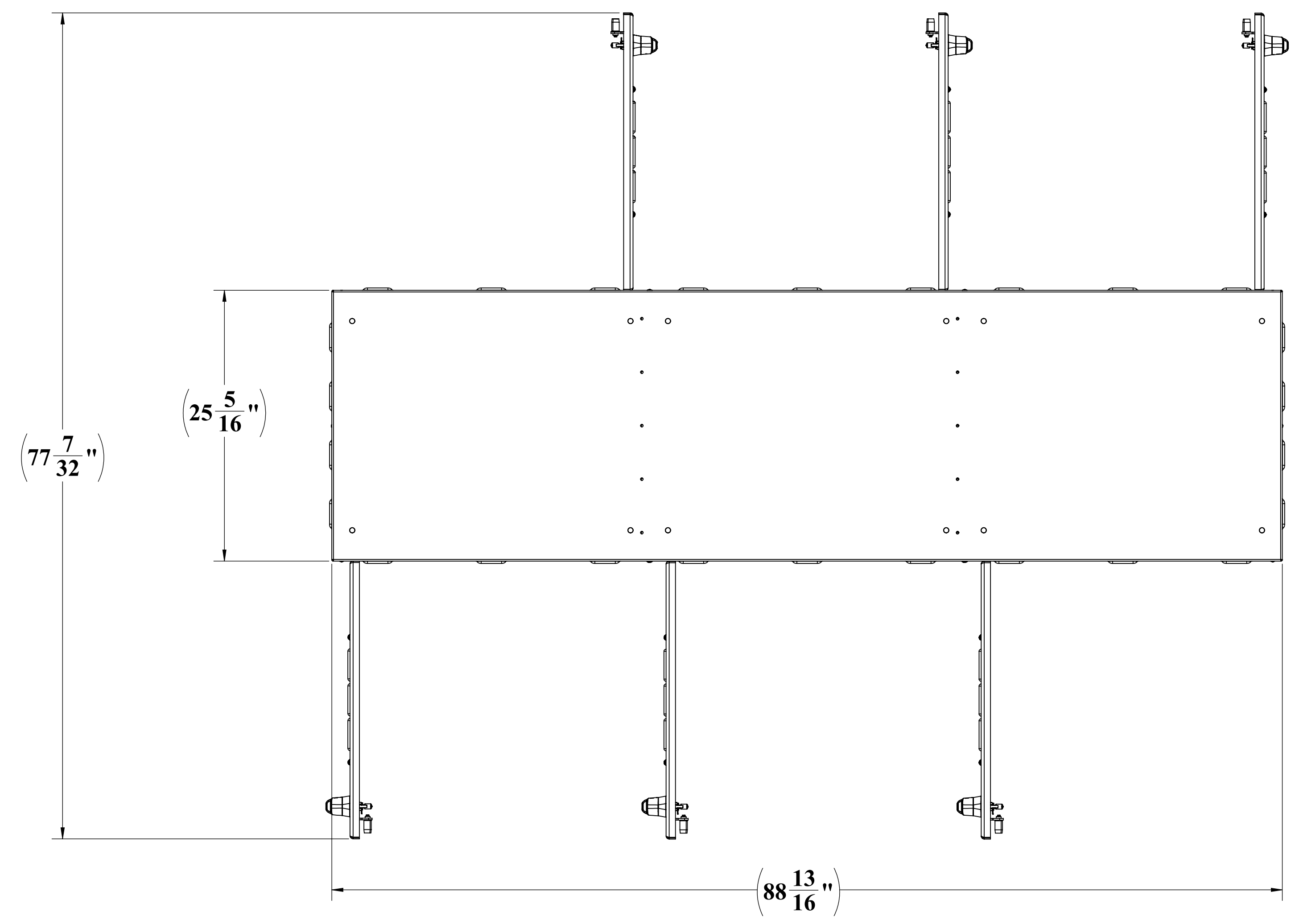
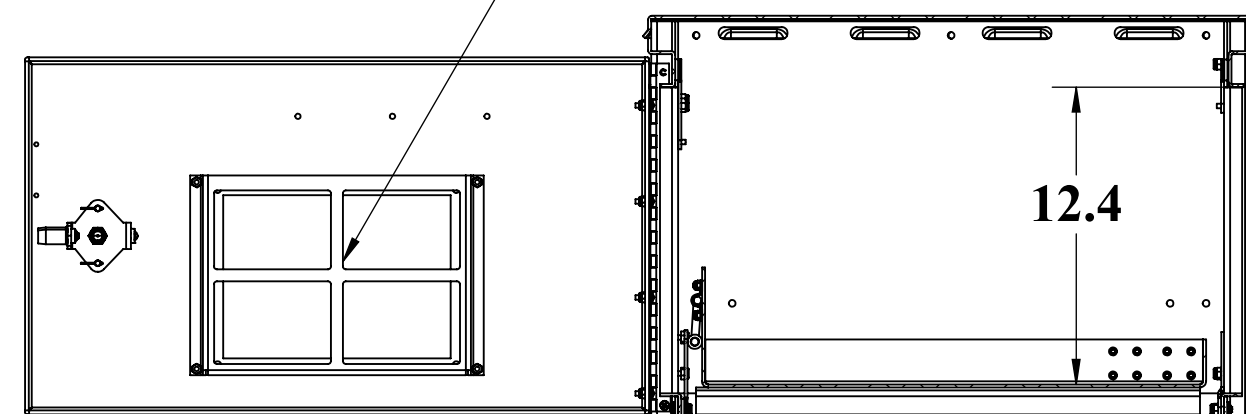


WEB DRAWING (NOT FOR FABRICATION)

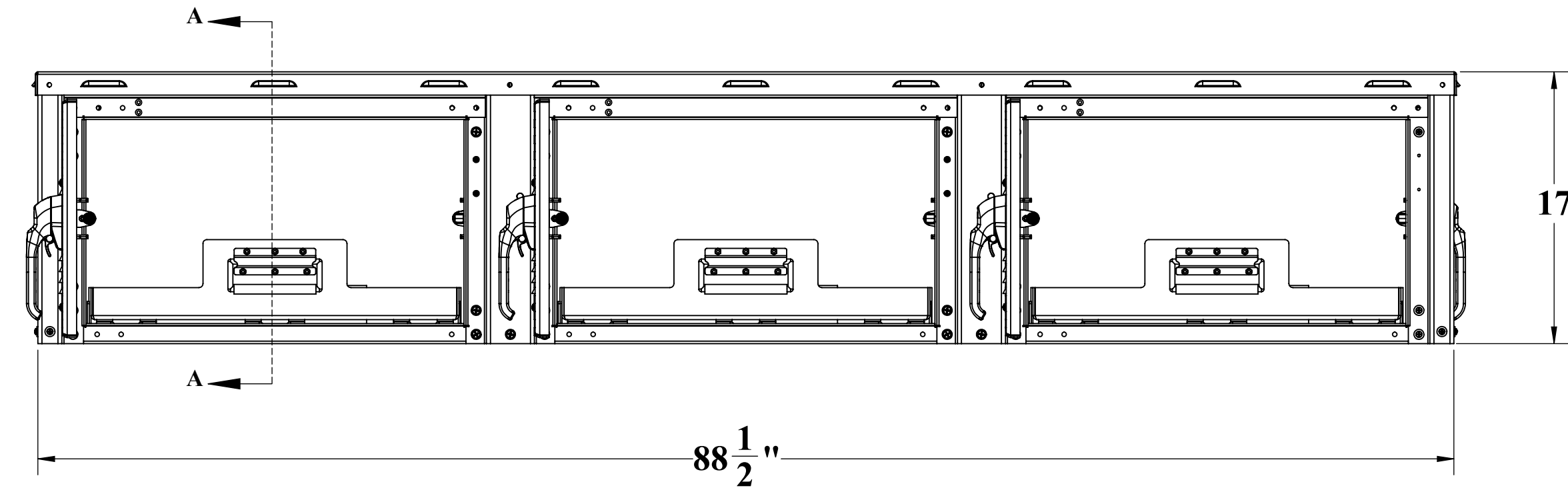
REVISIONS		
REV.	DESCRIPTION	DATE
A	3BOD-DX	1/17/2023



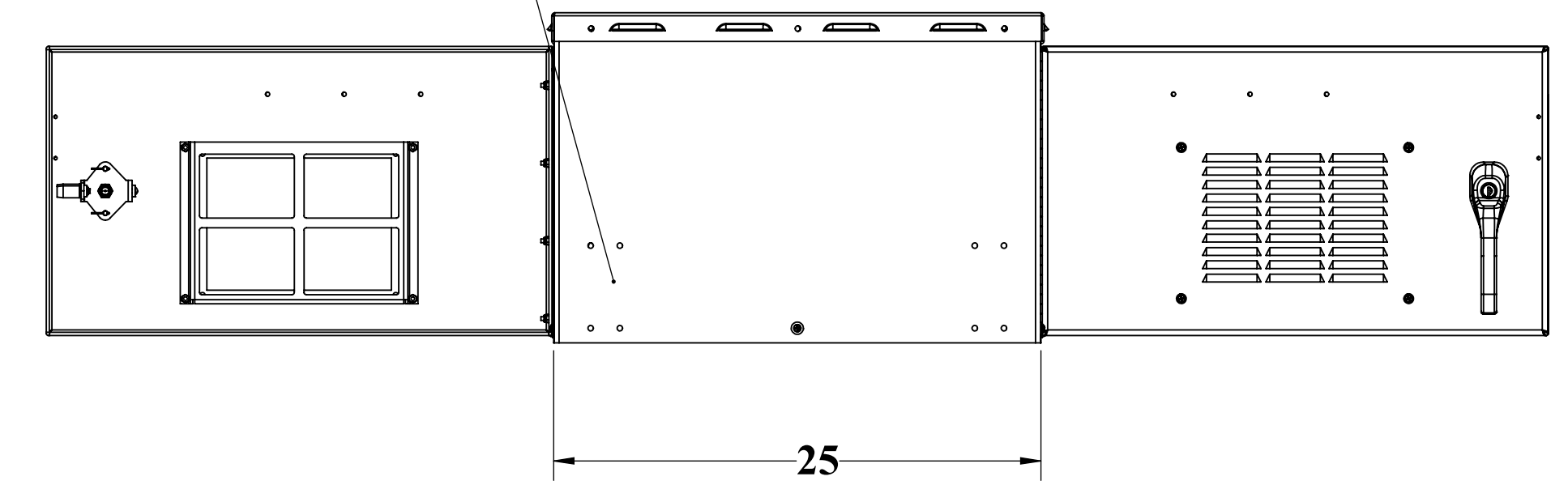
LOUVERS  
AND FILTER  
BRACKETS



SECTION A-A  
SCALE 1 : 8



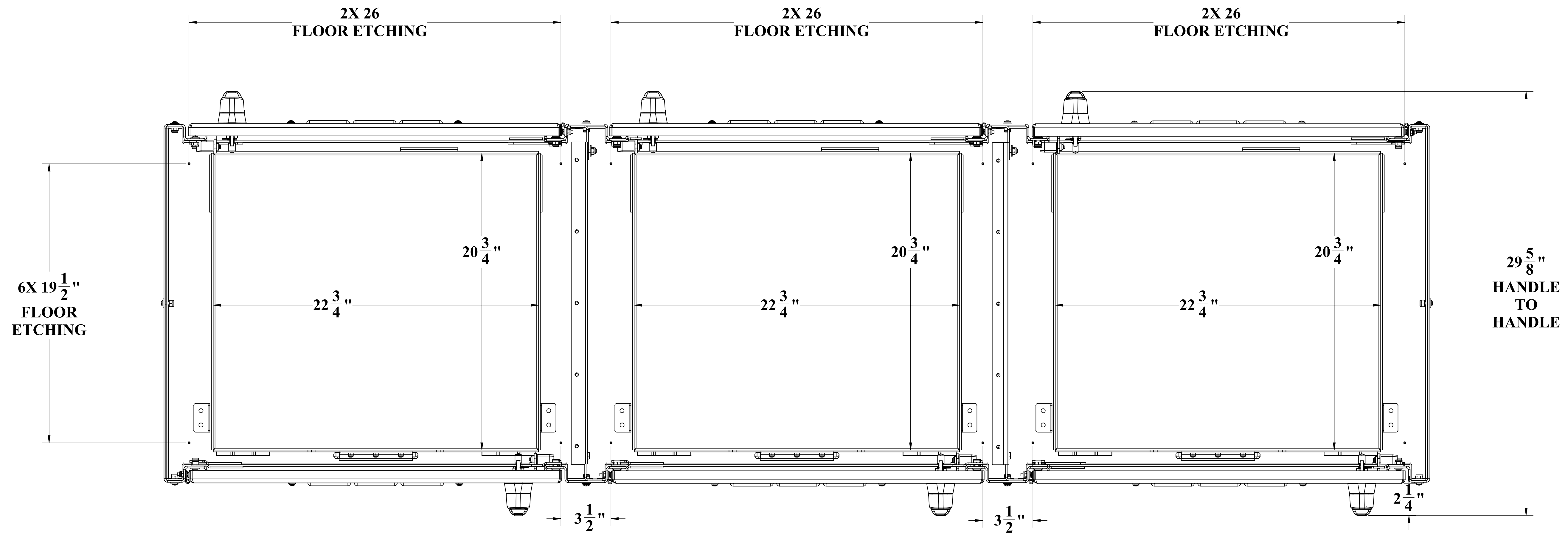
MOUNTING FEET OPTIONAL



WEB DRAWING (NOT FOR FABRICATION)

UNLESS OTHERWISE SPECIFIED:		NAME	DATE	<b>DDB Unlimited Inc.</b>		
DIMENSIONS ARE IN INCHES		Model by:	DDB	08/12/22	3BOD-DX	
ANGULAR:	±1°	Drawn by:	gerone	01/18/23	SIZE	Cage Code:
FRACTIONAL NO DECIMAL:	±0.1250	Sales.Rep:	Ryan Campbell	01/20/23	D	385Y5
ONE PLACE DECIMAL:	±0.0625	Q.A. Appr.:	troy	01/20/23	DWG. NO.:	02925
TWO PLACE DECIMAL:	±0.03125	Prod.Mgr.:	ClarkK	01/20/23	REV	A
THREE PLACE DECIMAL:	±0.015625	Control Number:		SCALE: 1:12	WEIGHT: 199 lbs.	SHEET 1 OF 2
ALL HOLES: ±0.0015						
MATERIAL: 5052-H32-0.125" ASTM-B209-04						
PAINT: BAKKON VOGEL-BRGE-GLOSS-TEXTURE-ET-4028						
DO NOT SCALE DRAWING						

WEB DRAWING (NOT FOR FABRICATION)



WEB DRAWING (NOT FOR FABRICATION)

UNLESS OTHERWISE SPECIFIED:		<b>DDB Unlimited Inc.</b>	
DIMENSIONS ARE IN INCHES		380D-DX (Closed)	
ANGULAR:	±1°	SIZE	Cage Code: DWG. NO.: REV
FRACTIONAL NO DECIMAL:	±0.125	D	385Y5 02925 A
ONE PLACE DECIMAL:	±0.0625	SCALE: 1:12 WEIGHT: 199 lbs. SHEET 2 OF 2	
TWO PLACE DECIMAL:	±0.03125		
THREE PLACE DECIMAL:	±0.015625		
ALL HOLES:	±0.0031" Ø		
MATERIAL:	5052-H32-O.125" ASTM-B209-04		
PAINT:	DIAMOND VOGEL, BEIGE GLOSS TEXTURE FT-4039		
DO NOT SCALE DRAWING			

UNCLASSIFIED PUBLIC