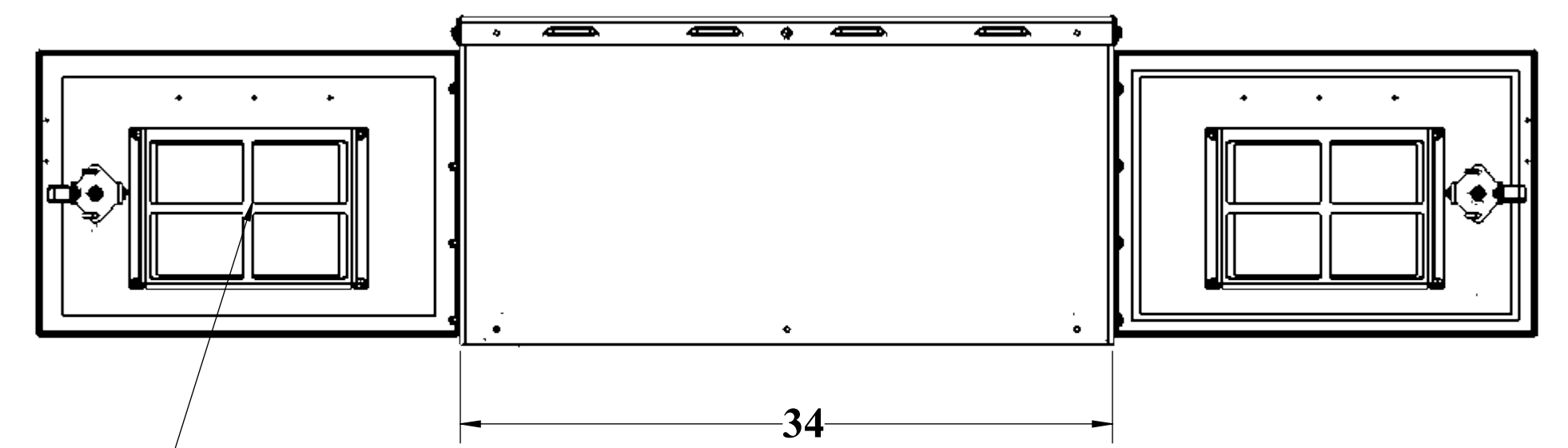
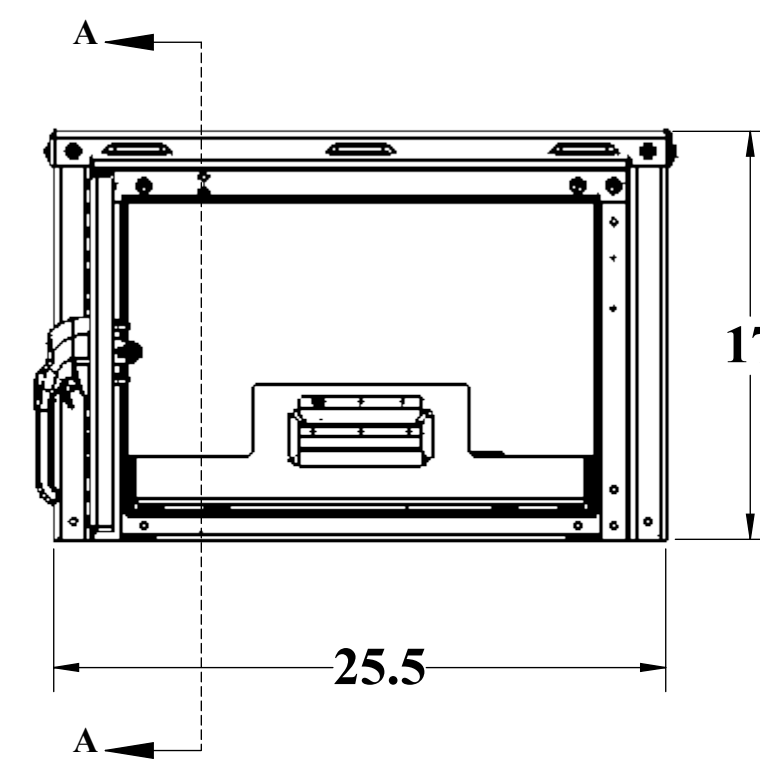
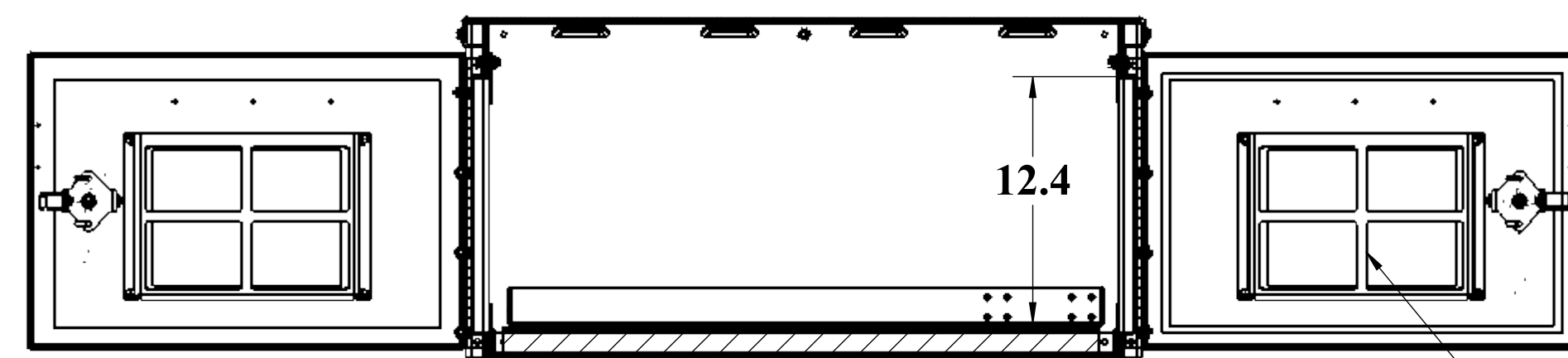
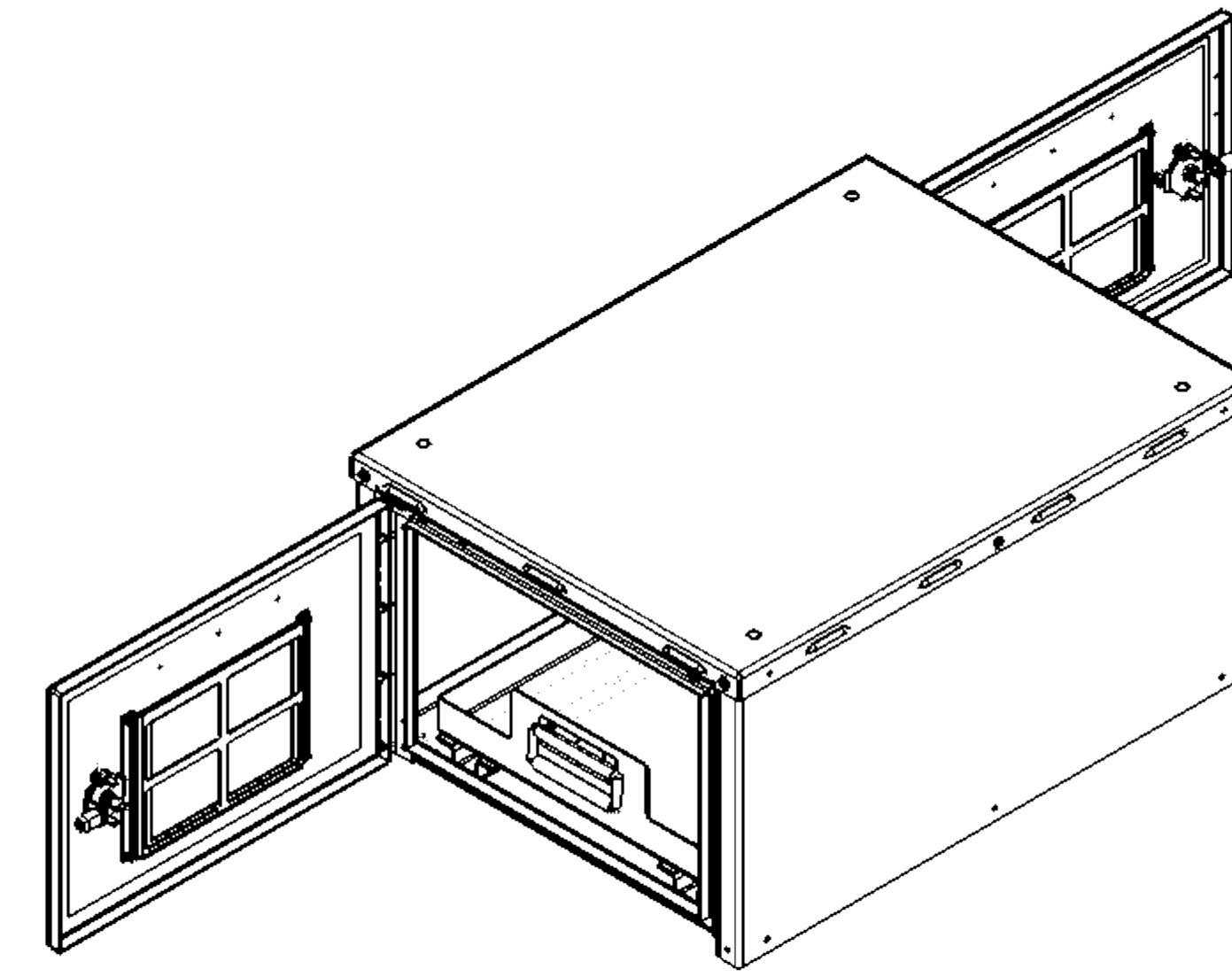
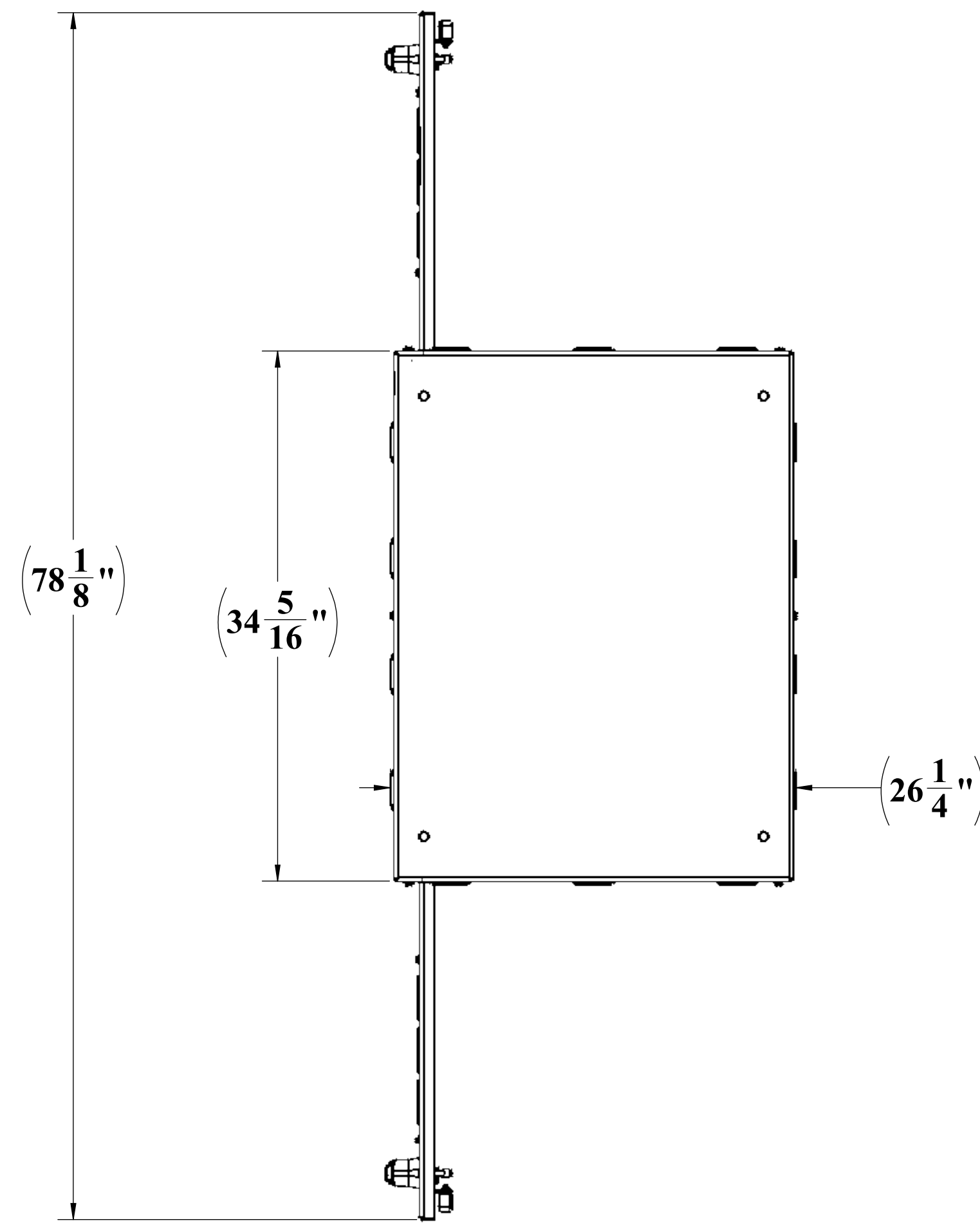


WEB DRAWING (NOT FOR FABRICATION)

REVISIONS		
REV.	DESCRIPTION	DATE
A	BOD-DD	6/8/2021



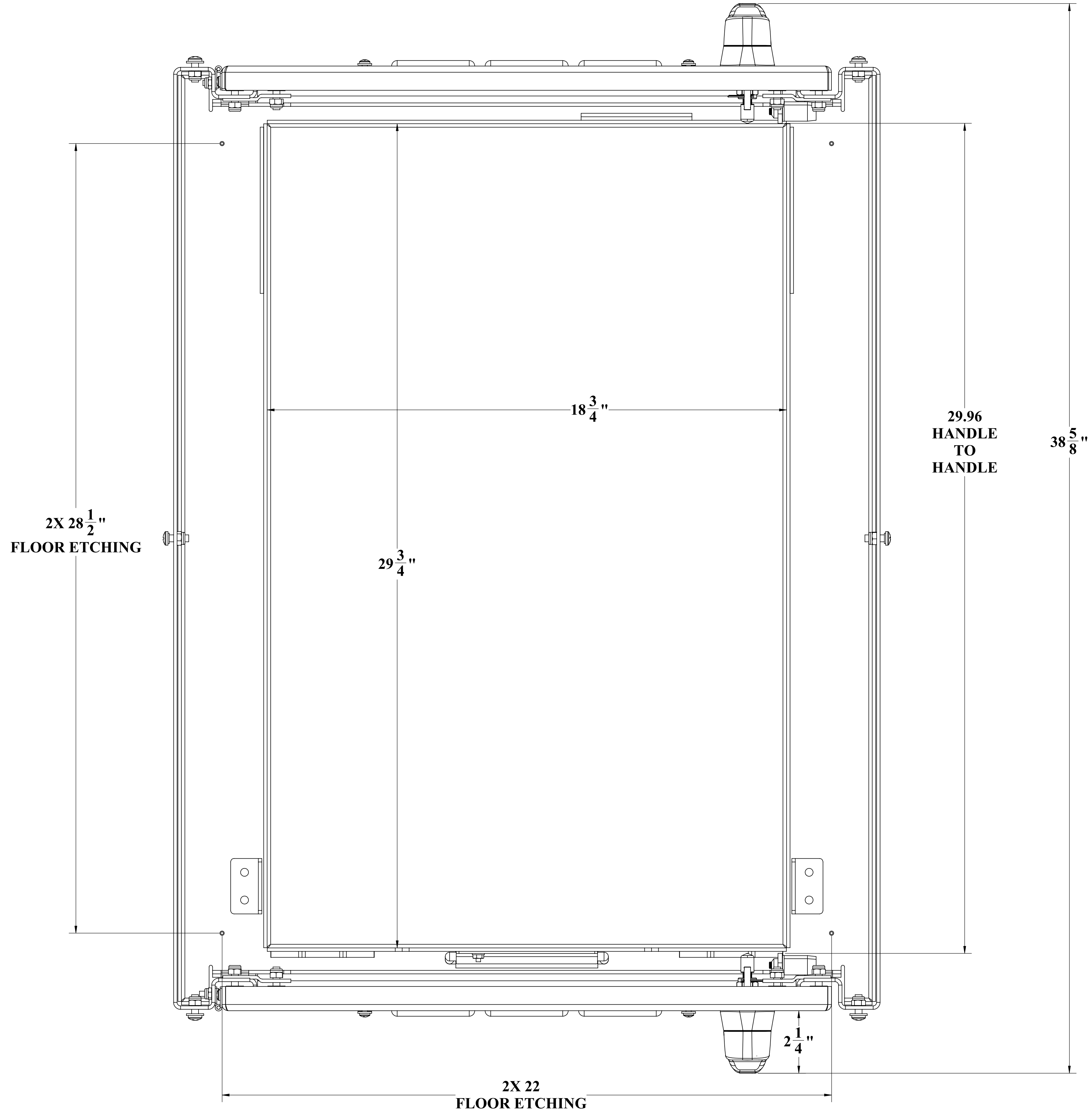
LOUVERS
AND FILTER
BRACKETS

LOUVERS
AND FILTER
BRACKETS

WEB DRAWING (NOT FOR FABRICATION)

UNLESS OTHERWISE SPECIFIED:		NAME	DATE	DDB Unlimited Inc.				
DIMENSIONS ARE IN INCHES				BOD				
ANGULAR:	±1°	Model by:	DDB	06/09/21	Box, Battery, OD, DD			
FRACTIONAL/NO DECIMAL:	±0.1250	Drawn by:	gerone	06/09/21	SIZE	Cage Code:	DWG. NO.:	REV
ONE PLACE DECIMAL:	±0.0625	Sales.Rep.:			D	385Y5	02652	A
TWO PLACE DECIMAL:	±0.03125	Q.A.Appr.:	tray	06/10/21	SCALE: 1:8	WEIGHT: 72 lbs.	SHEET 1 OF 2	
THREE PLACE DECIMAL:	±0.015625	Prod.Mgr.:	ClarkK	06/10/21				
ALL HOLES: ±0.0015"		Control Number:						
MATERIAL: 5052-H32-0.125" ASTM-B209-04								
PAINT: DIAMOND VOGEL, BEIGE GLOSS TEXTURE ET-4328								
DO NOT SCALE DRAWING								

WEB DRAWING (NOT FOR FABRICATION)



2X 22
FLOOR ETCHING

29 ³/₄"

18 ³/₄"

29.96
HANDLE
TO
HANDLE

38 ⁵/₈"

2X 28 ¹/₂"
FLOOR ETCHING

TOP VIEW CEILING NOT SHOWN

WEB DRAWING (NOT FOR FABRICATION)

UNLESS OTHERWISE SPECIFIED:		DDB Unlimited Inc.	
DIMENSIONS ARE IN INCHES		BOD-DD (web closed)	
ANGULAR: FRACTIONAL NO DECIMAL: ±0.125		Box, Battery, OD, DD, closed	
ONE PLACE DECIMAL: ±0.0625		SIZE	REV
TWO PLACE DECIMAL: ±0.03125		Cage Code:	DWG. NO.:
THREE PLACE DECIMAL: ±0.015625		D	385Y5
ALL HOLES: ±0.0010		SCALE: 1:8	WEIGHT: 72 lbs.
MATERIAL: 5052-H32-O.125" ASTM-B209-04		SHEET 2 OF 2	
PAINT: DIAMOND VOGEL, BEIGE GLOSS TEXTURE ET-808		DO NOT SCALE DRAWING	

DDB FORM: 7.1-2-REV:K 08/02/17