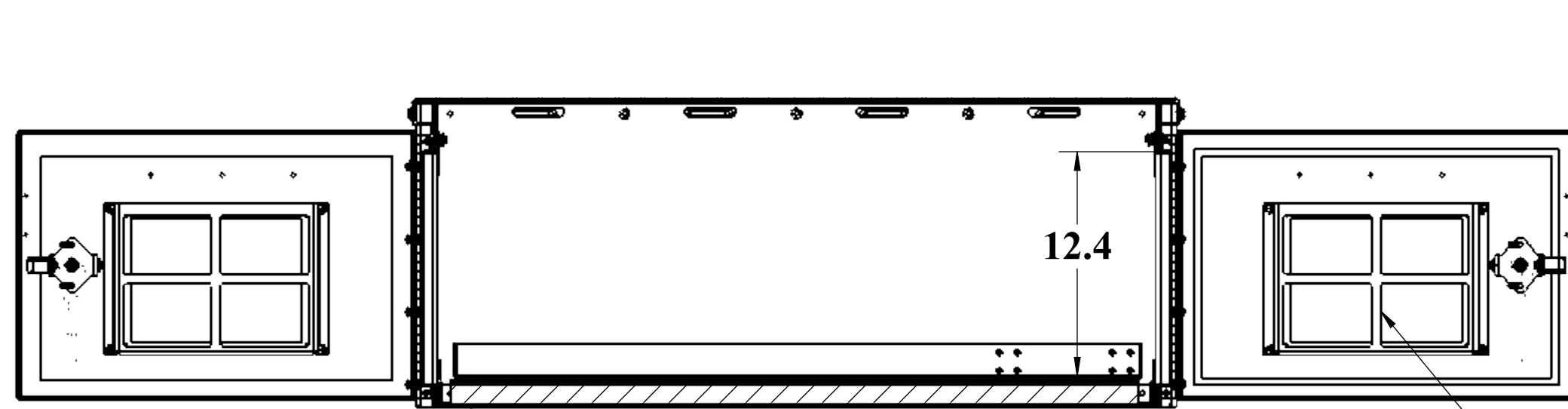
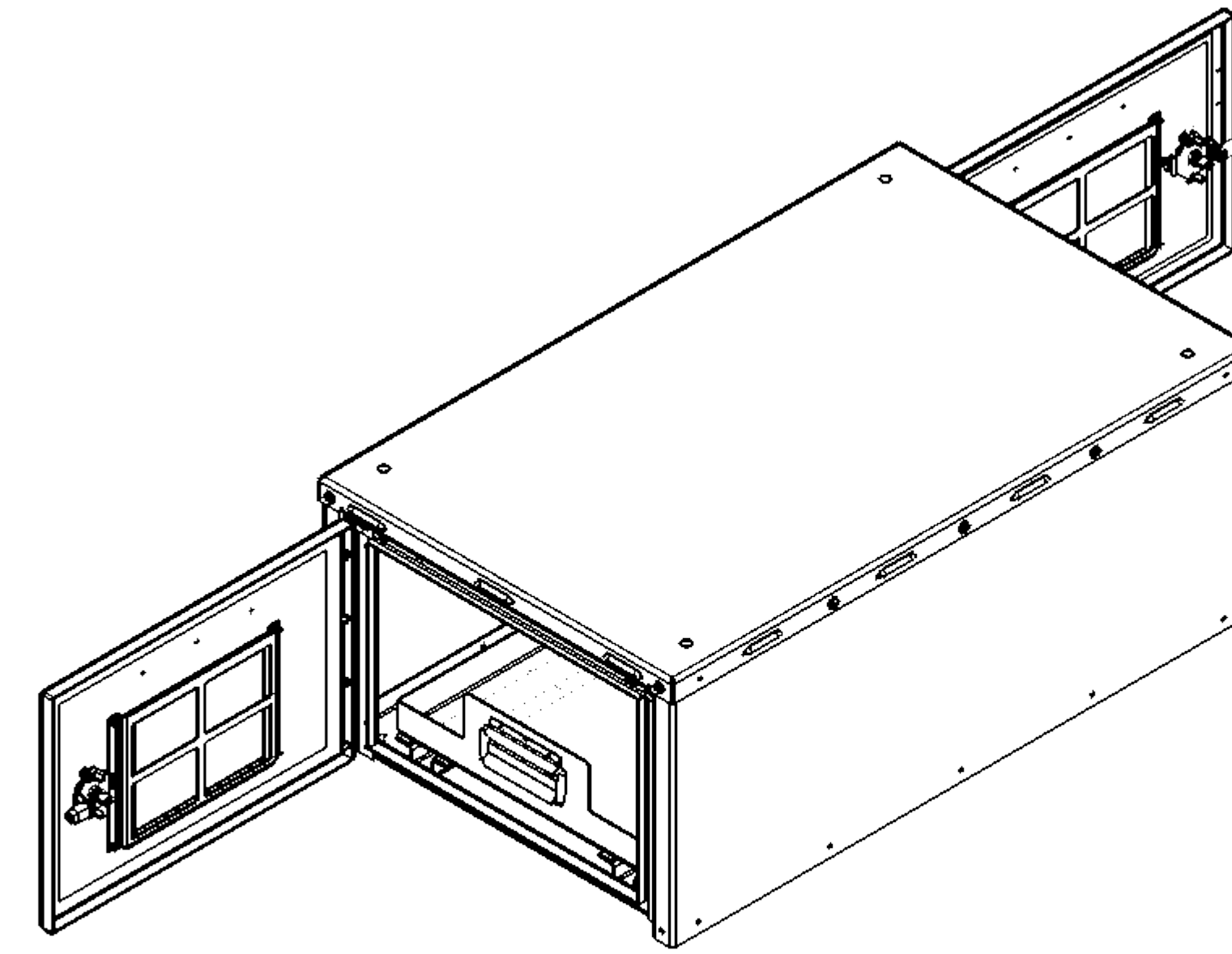
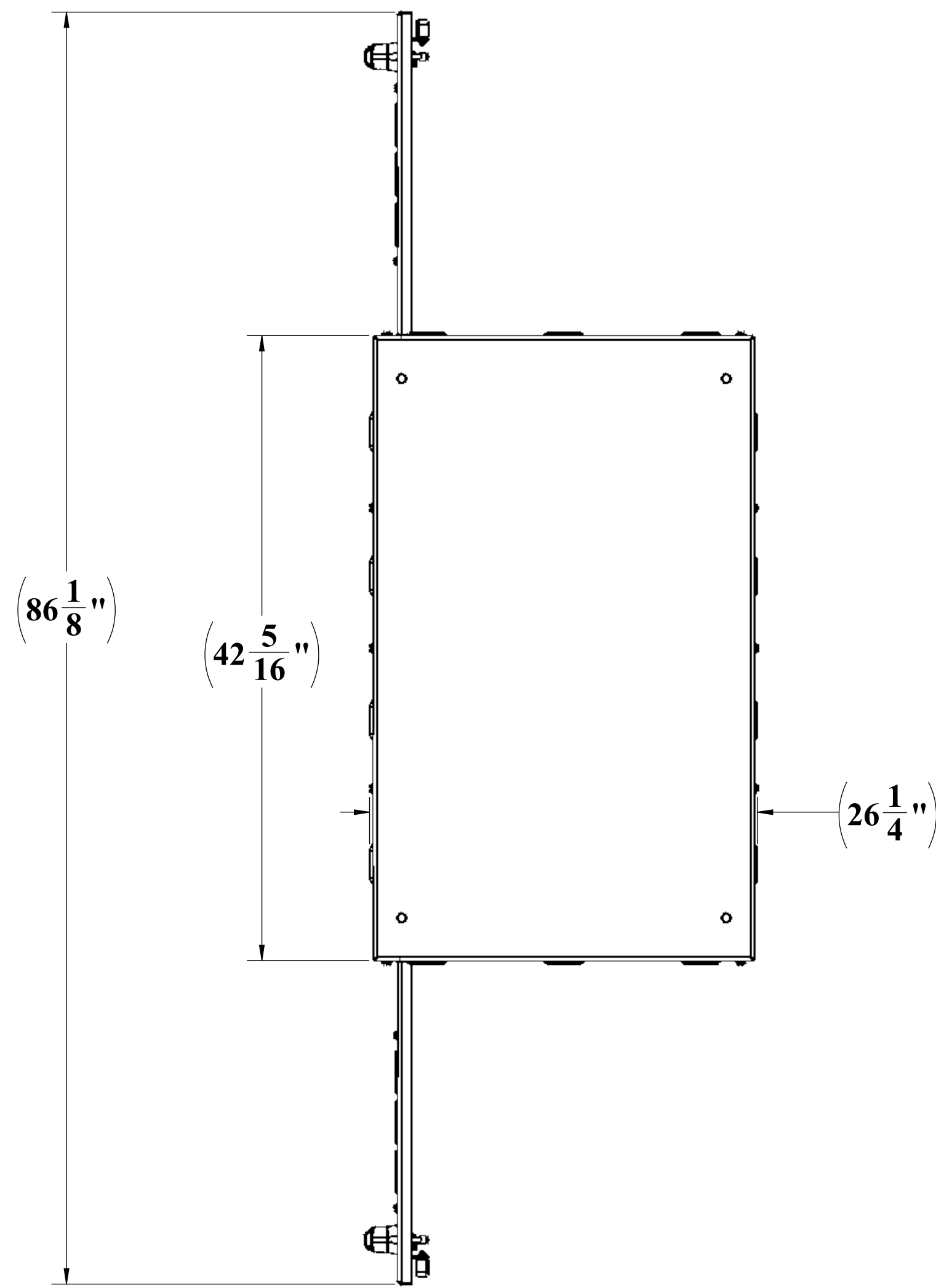
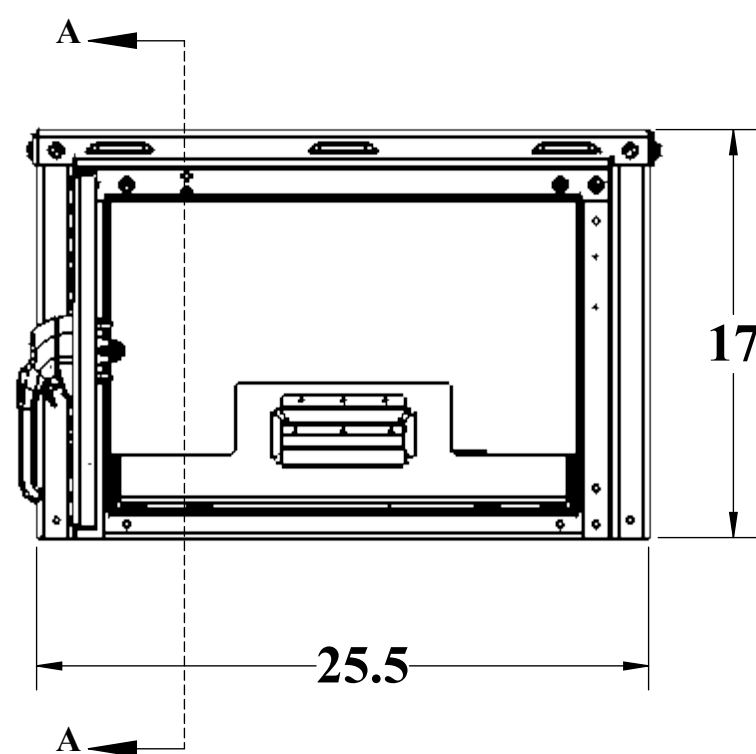


WEB DRAWING (NOT FOR FABRICATION)

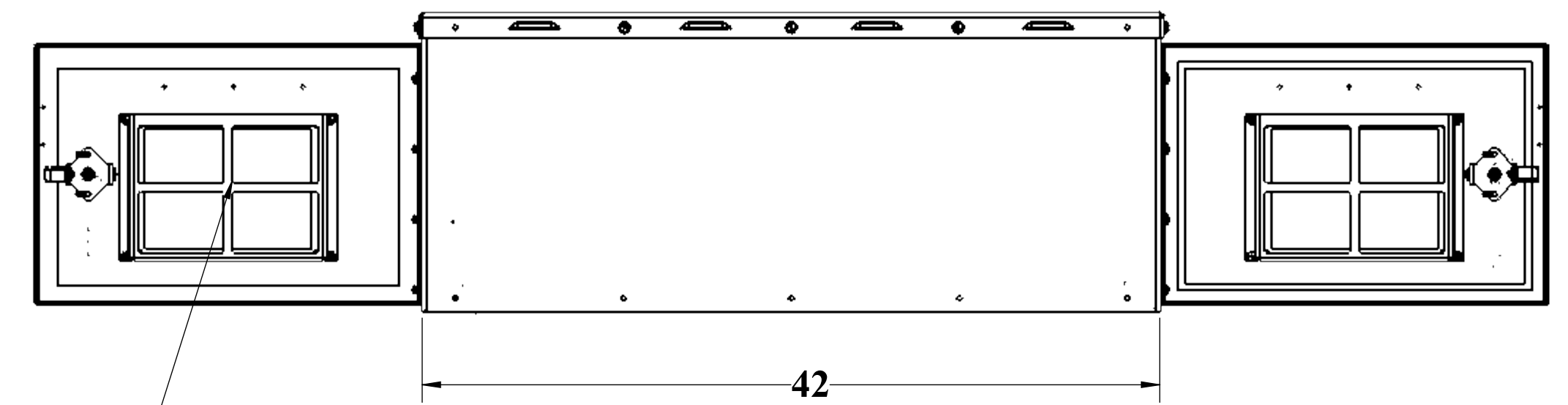
REVISIONS		
REV.	DESCRIPTION	DATE
A	BOD-DDX	6/9/2021



SECTION A-A



LOUVERS
AND FILTER
BRACKETS

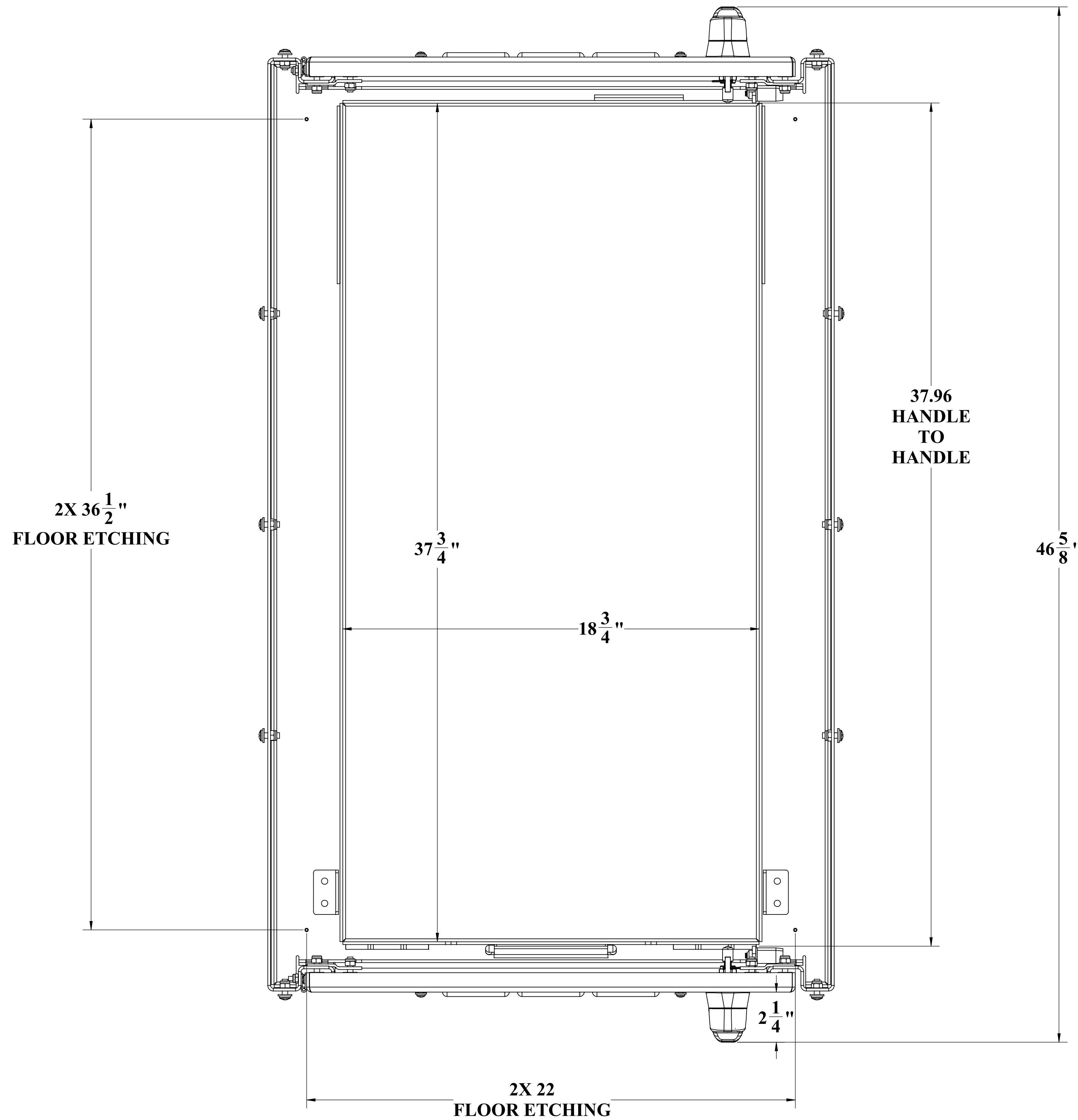


LOUVERS
AND FILTER
BRACKETS

WEB DRAWING (NOT FOR FABRICATION)

UNLESS OTHERWISE SPECIFIED:		NAME	DATE	DDB Unlimited Inc.			
DIMENSIONS ARE IN INCHES				BOD			
ANGULAR:	±1°	Model by:	DDB	06/09/21	Box, Battery, OD, DDX		
FRACTIONAL/NO DECIMAL:	±0.1250	Drawn by:	gerone	06/09/21	SIZE	Cage Code:	DWG. NO.:
ONE PLACE DECIMAL:	±0.0625	Sales.Rep.:			D	385Y5	02653
TWO PLACE DECIMAL:	±0.03125	Q.A.Appr.:	tray	06/10/21	SCALE: 1:8	WEIGHT: 83 lbs.	REV
THREE PLACE DECIMAL:	±0.015625	Prod.Mgr.:	ClarkK	06/10/21			A
ALL HOLES ±0.0010		Control Number:			SHEET 1 OF 2		
MATERIAL: 5052-H32-0.125" ASTM-B209-04							
PAINT: BAKKON VOGEL-BRGE-GLOSS-TEXTURE ET-4328							
DO NOT SCALE DRAWING							

WEB DRAWING (NOT FOR FABRICATION)



TOP VIEW CEILING NOT SHOWN

WEB DRAWING (NOT FOR FABRICATION)

UNLESS OTHERWISE SPECIFIED:			
DIMENSIONS ARE IN INCHES			
ANGULAR:	±1°		
FRACTIONAL NO DECIMAL:	±0.125		
ONE PLACE DECIMAL:	±0.0625		
TWO PLACE DECIMAL:	±0.03125		
THREE PLACE DECIMAL:	±0.015625		
ALL HOLES:	±0.0010		
MATERIAL:	5052-H32-O.125" ASTM-B209-04		
PAINT:	DIAMOND VOGEL, BEGE GLOSS TEXTURE ET-828		
DO NOT SCALE DRAWING			
DDB Unlimited Inc.		BOD-DDX (Web Closed)	
Box, Battery, OD, DDX, closed			
SIZE	Cage Code:	DWG. NO.:	REV
D	385Y5	02653	A
SCALE: 1:8		WEIGHT: 83 lbs.	SHEET 2 OF 2