



Why Choose the 20D Series?

When a single bay solution just isn't sufficient, the 20D series enclosures are ideal. Constructed of our own rugged Alumiflex®, it is noticeably lighter than steel yet strong enough to rack the heaviest equipment. The 20D-62DDC includes a number of standard features, such as an adjustable racking system with a versatile rail strut system (R-Strut), a 3-point locking system for security, a reversible rack system for 19" and 23" applications, lifting hooks for easy maneuvering into place, wind locks to secure doors safely when they are open, and our patented Alumishield® solar cap for managing heat loads. Furthermore, DDB offers an array of customizable choices, which include climate control (HVAC), electrical load panels, and cable entry solutions. These possibilities combine to produce an enclosure that can be customized to meet the specific needs that your site and clients may require. The 20D undoubtedly closes the gap between single-bay enclosures and larger building "hut" solutions, giving you the flexibility to meet any need in the field without the required stamps or inspections that traditional "huts" do. With an industry-leading 15-year warranty on every enclosure, DDB provides cutting-edge design, competitive pricing, benchmark lead times, and guaranteed delivery. Whether you require a custom enclosure or something from our substantial stock, our professional staff is here to help you today.



Features

- 15 Year Warranty
- 0.125" Aluminum Construction
- 3 Point Lock System
- Heavy Duty Out-Door Construction
- Front and Rear Access
- Standard Lifting Hooks
- Stainless Steel External Hardware/Hinge
- Cream Powder-Coat, Standard
- Quick Shipping

Application Types

- Telecommunications
- Wireless/Broadband
- Fiber Optics
- Back Haul
- Public Safety
- Utility
- Base Station
- Military
- Trailer-Based Communications
- Wi-Fi
- LTEE/4G/5G



Environmental & Safety Ratings:

- ✓ NEMA 3R (shown above)
- ✓ NEMA 4 and 4X configurable (not shown)

Weight and Dimensions

Approximate Exterior Enclosure Dimensions:

64"H x 65"W x 39"D

Shipping Dimensions:

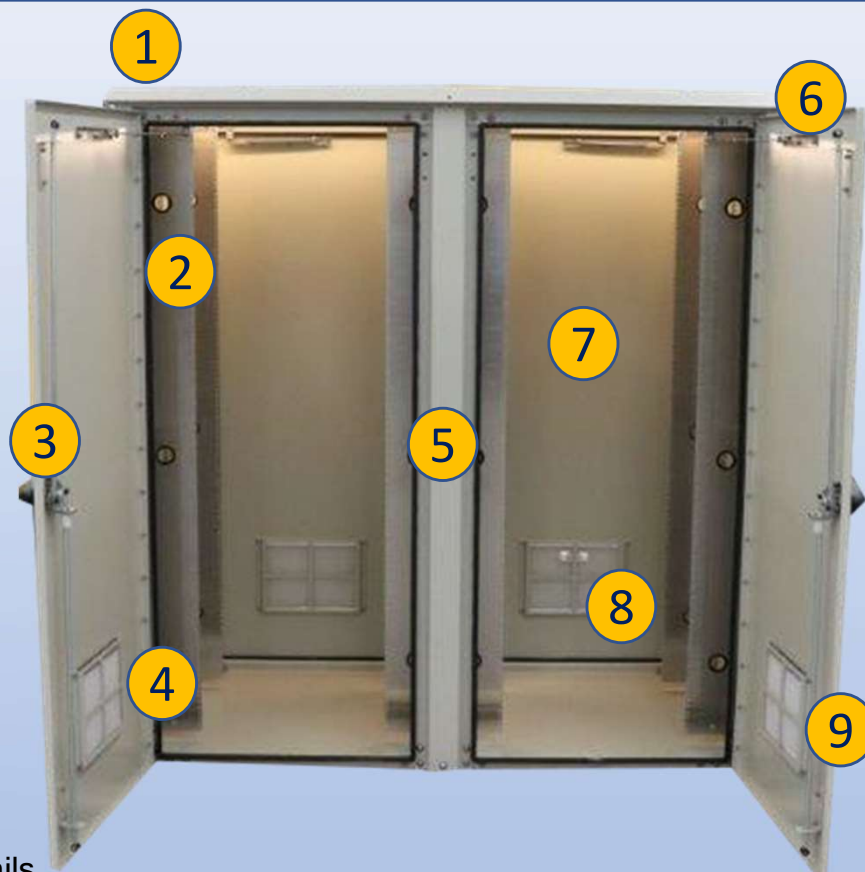
72"L x 82"W x 54"D - Palletized

Approximate Shipping Weight:

469 lbs.

20D Series

20D-62DDC



Features

1. Alumishield
2. 19" and 23" Adjustable Racking Rails
3. 3 Point Locking System
4. Stainless Steel Door Hinge
5. Powder-Coat Cream
6. Wind Lock
7. Rear Access Door
8. Reusable Filter
9. Heavy Duty 0.160" Doors

2301 S. HWY 77 Pauls Valley, OK 73075
T: (405)-665-2876

sales@ddbunlimited.com www.ddbunlimited.com

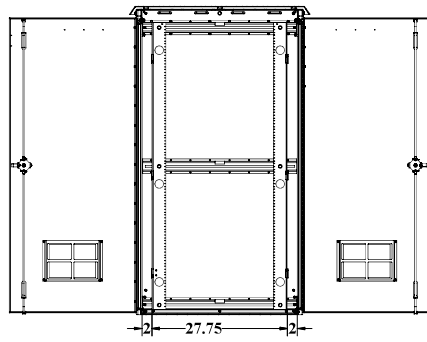
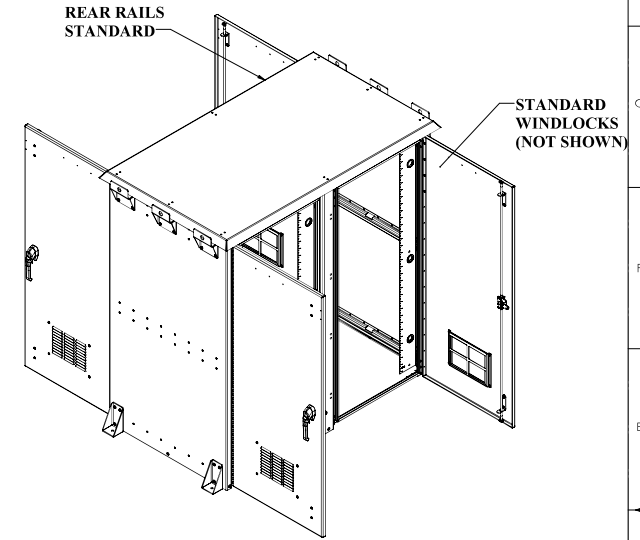
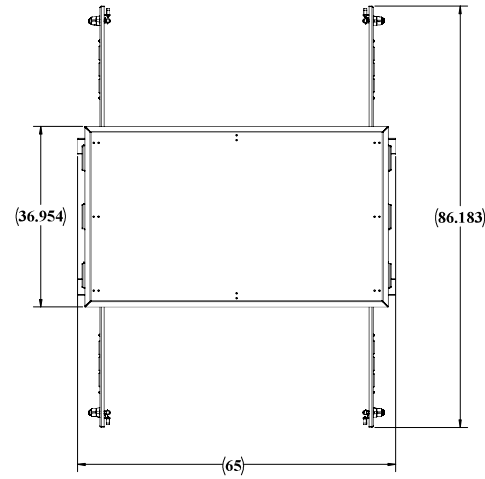
Scan this code for
Climate Control



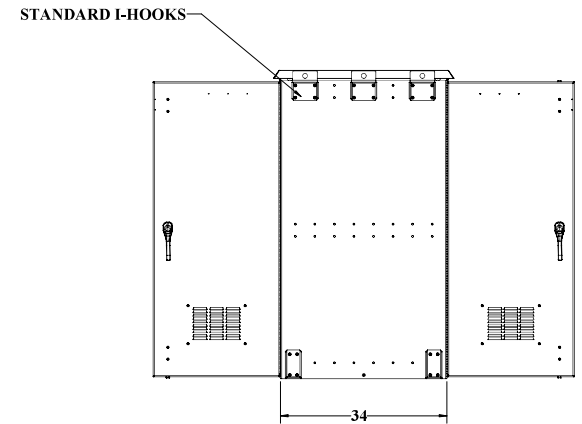
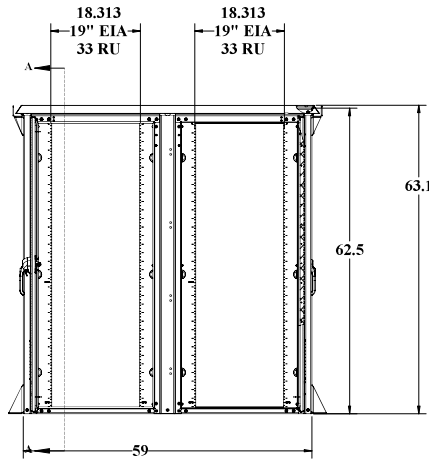
Scan this code for
Accessories



REVISIONS		
REV.	DESCRIPTION	DATE
A	Initial Release per DR-00967	5/28/2014
B	UPDATED TO 2017 WEBSITE FORMAT	8/9/2017
C	NEW FORMAT	11/24/2020

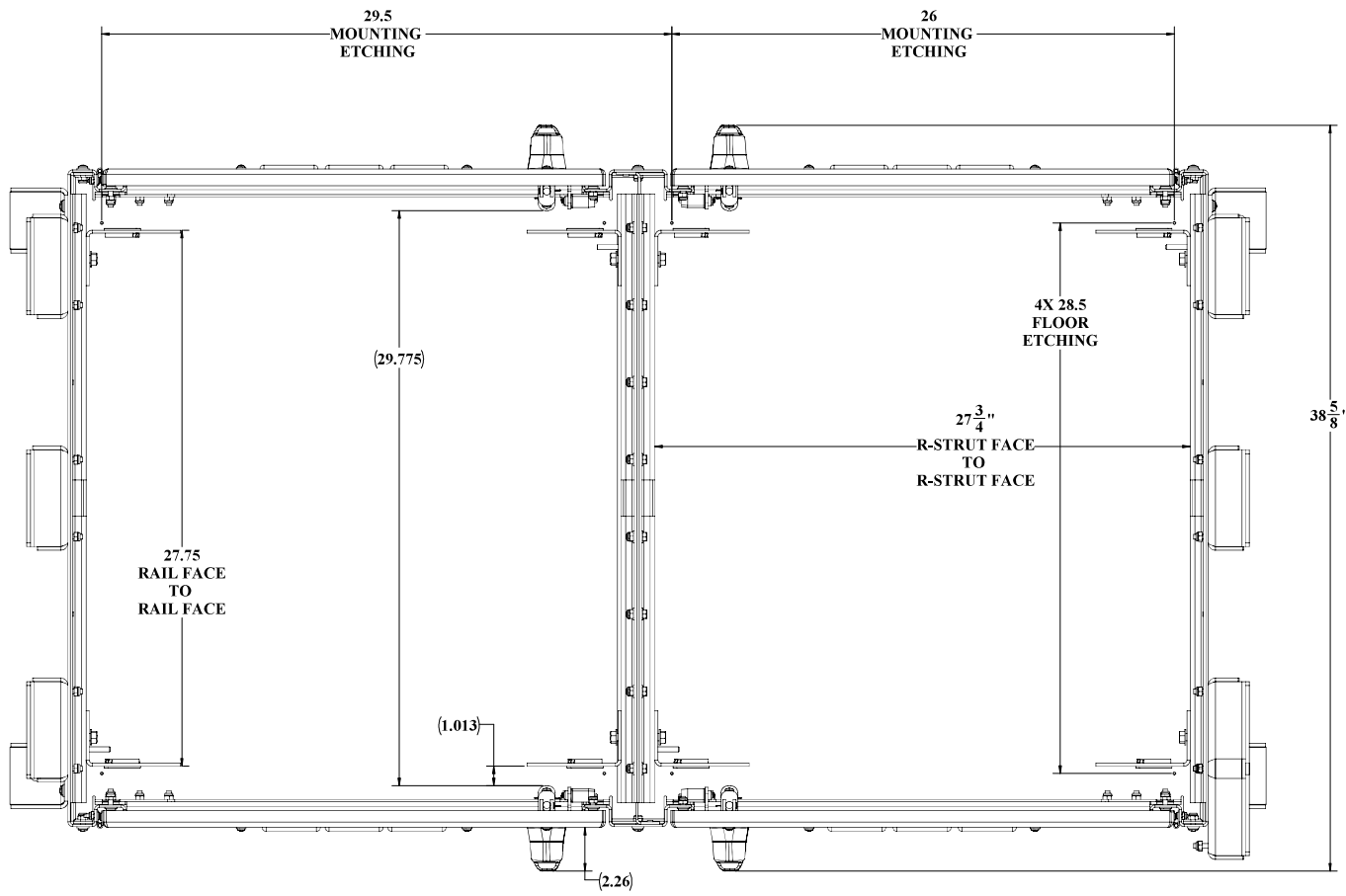


SECTION A-A
SCALE 1:12



UNLESS OTHERWISE SPECIFIED:			
DIMENSIONS ARE IN INCHES			
FINISH	STANDARD	1\"/>	
DRILLING	STANDARD	1/8\"/>	
TOLERANCES	STANDARD	±.005	
WELDING	STANDARD	AS SHOWN	
ALL DIMENSIONS	UNLESS OTHERWISE SPECIFIED	ARE TO FACE	
MATERIALS	AS SPECIFIED BY ALPHA SYMBOL		
PAINT	STANDARD	AS SHOWN	
DO NOT SCALE DRAWING			
DDP Unlimited Inc.			
2034-4200			
DWG. WEB, 2014.02, DD2014-4200			
REV	Code Code:	DWG. NO.:	REV
D	28515	00967	C
SCALE: 1:8		WEIGHT: 408 lbs.	SHEET 1 OF 3

UNCLASSIFIED PUBLIC

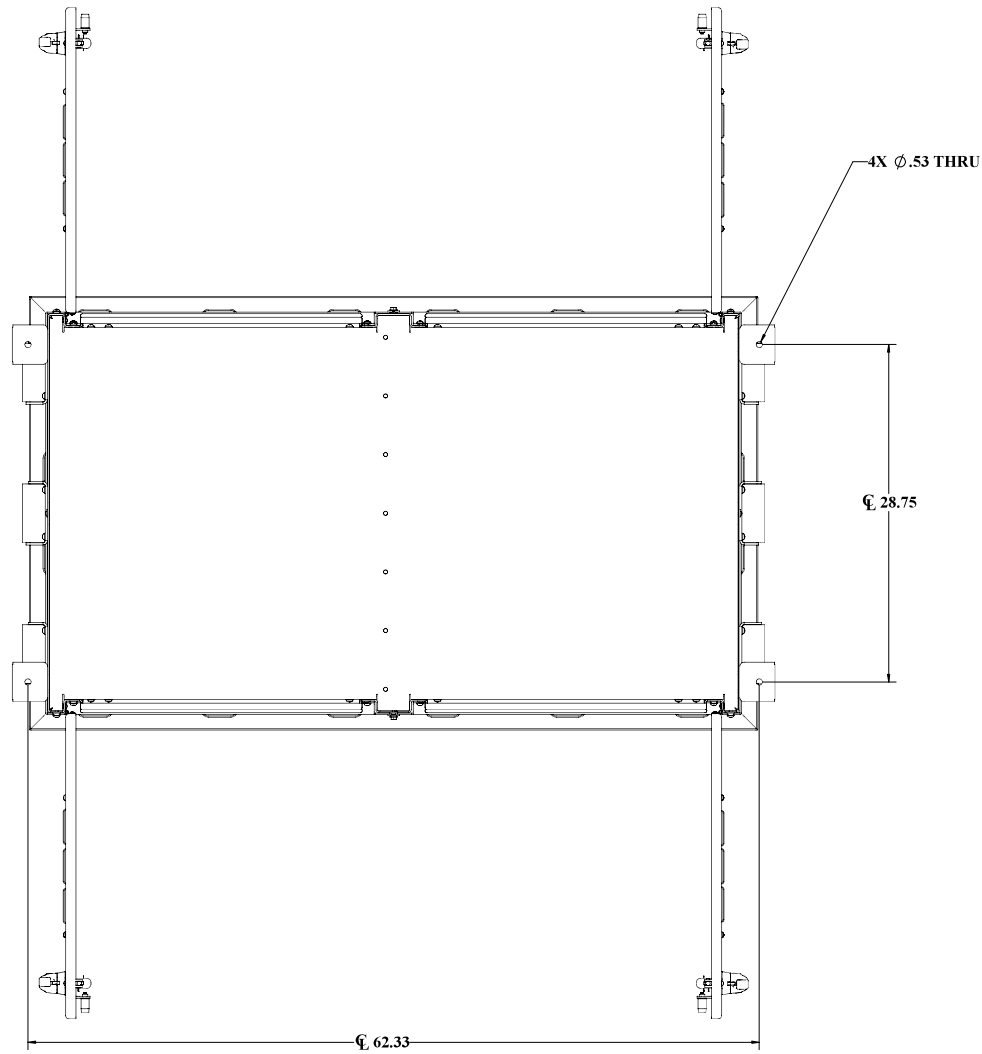


ALUMASHIELD AND CEILING NOT SHOWN

UNLESS OTHERWISE SPECIFIED:			
DIMENSIONS ARE IN INCHES			
FINISH	W/	FINISH	W/
EXTERIOR	20	INTERIOR	20
DRIVE/FLY	20	DRIVE/FLY	20
RAIL FACE	20	RAIL FACE	20
ALL DIMENSIONS ARE TO FACE UNLESS OTHERWISE SPECIFIED			
MATERIAL SPECIFIED BY ALUMA BROTHERS			
PAINT FINISHES AND COATINGS TO BE AS SPECIFIED			
DO NOT SCALE DRAWING			
204-3800 (CLOSED)		DDB Unlimited Inc.	
DWG. NO. 300, 36, D020B-3000 (CLOSED)			
REV	Code Code:	DWG. NO.:	REV
D	28515	00967	C
SCALE: 1/8"		WEIGHT: 272 Lbs.	SHEET 2 OF 3

UNCLASSIFIED PUBLIC

DDB FORM 7.1-2 REV. A (08/02/17)



MOUNTING LOCATIONS

UNLESS OTHERWISE SPECIFIED:			
DIMENSIONS ARE IN INCHES			
FINISH	AS ORDERED	1"	AS ORDERED
DRILLING	AS ORDERED	AS ORDERED	AS ORDERED
DRILLING TOLERANCE	±.005	±.005	±.005
DRILLING POSITIONAL TOLERANCE	±.010	±.010	±.010
DRILLING PLUG TOLERANCE	±.005	±.005	±.005
ALL DIMENSIONS UNLESS OTHERWISE SPECIFIED			
MATERIAL: ALUMINUM 6061-T6			
PAINT: ANODIZED ALUMINUM			
DDB UNLIMITED INC.			
2034-4200			
DWG. WEB, 2014.02, 002014-4200			
REV	Change Code:	DWG. NO.:	REV
D	28515	00967	C
SCALE: 1:8		WEIGHT: 408 lbs.	SHEET 2 OF 3

UNCLASSIFIED PUBLIC

DDB FORM 7.1-2 REV A (08/02/17)