



Why Choose the OD Series?

The OD series of enclosures are the ultimate choice for your outdoor racking requirements. Being made of our own rugged, Alumiflex®, you'll find it noticeably lighter than steel, yet strong enough to rack even the heaviest equipment. When choosing the OD series, you have handpicked the highest value in American construction. The OD-50DDC includes the standard features you have come to expect with DDB, incorporating the versatile rail strut (R-Strut) system for adjustable racking, the security of a 3- point locking system and our patented Alumishield® solar cap to manage heat loads. For those who need more than just our standard enclosure, DDB can also make a truly customized solution with our many available options including HVAC; providing a climate-controlled environment for any electronic equipment, electrical load panels and cable entry solutions to name a few. All of this comes together to create an enclosure able to meet all of the unique needs your customers have been seeking. DDB offers a state-of-the-art design, a competitive price, benchmark lead times and a guaranteed delivery, all backed up with an industry leading 15-year warranty on every enclosure. Put DDB's substantial stock to work for you today. Contact our professional staff to assist you with your made-to-order solution.

Application Types

- Telecommunications
- Wireless/Broadband
 - Fiber Optics
 - Back Haul
- Small Cell/DAS
- Public Safety
- Utility
- Base Station
- Military
- Trailer-Based Communications
 - Wi-Fi
 - LTEE/4G/5G



Environmental & Safety Ratings:

- ✓ NEMA 3R (shown above)
- ✓ NEMA 4 and 4X configurable (not shown)
- ✓ OD-50 Series, ETL environmentally listed to UL 50/50E, Type 4's
Available here: <https://www.ddbunlimited.com/new-ul-50e-listed/>
- ✓ ETL listed; Safety Requirements, UL 62368-1:2019 Ed.3, CSA C22.2



Features

- 0.125" Aluminum Construction
- Stainless Steel External Hardware/Hinge
- 3 Point Lock System
- Heavy Duty Out-Door Construction
- Front and Rear Access
- Custom Colors Available
- Cream Powder-Coat in Stock
- Flexible and Scalable
- 15 Year Warranty
- Quick Shipping

Weight and Dimensions

Approximate Exterior Enclosure Dimensions:

51"H x 28"W x 39"D

Shipping Dimensions:

32"W x 42"L - Palletized

Approximate Shipping Weight:

188 lbs.

2301 S. HWY 77 Pauls Valley, OK 73075

T: (800) 753-8459 – F: (877) 220-7236

sales@ddbunlimited.com www.ddbunlimited.com

OD Series

OD-50DDC



Features

1. Solar Shield (Alumishield)
2. Front and Rear 19" Adjustable Racking Rails, 52 RU's
3. Rear Access Door
4. Stainless Steel Door Hinge
5. 3-Point Locking System
6. Powder-Coat Cream
7. Reusable Vent Filters



Installation, operating and
safety instructions can be
downloaded here

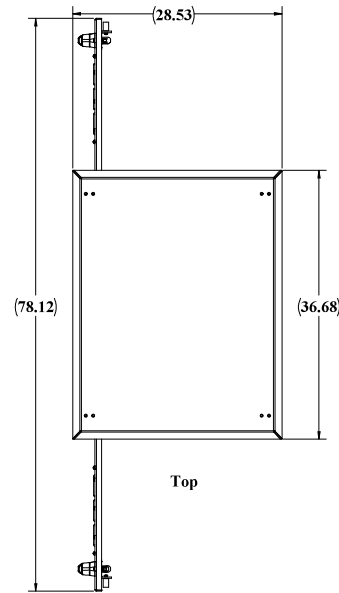


Scan this code for
replacement parts

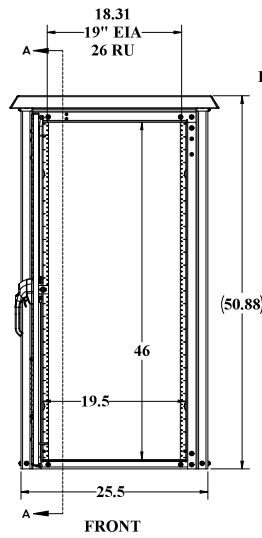
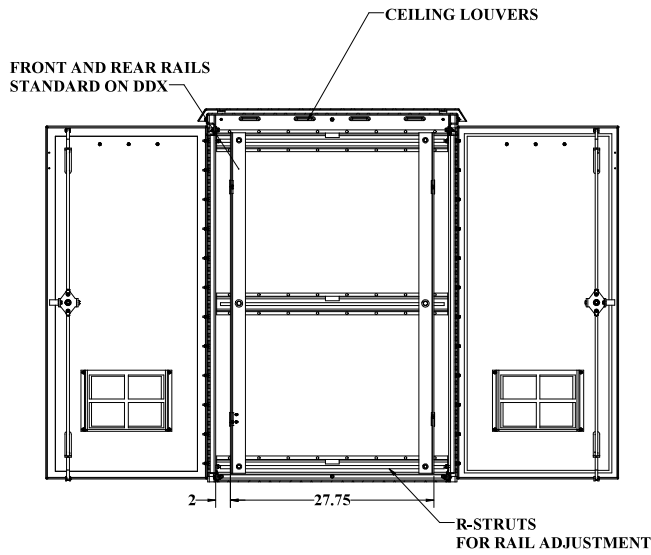
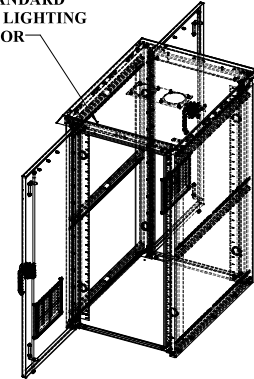


WEB DRAWING (NOT FOR FABRICATION)

REVISIONS		
REV.	DESCRIPTION	DATE
A	Web Drawing per DR-00425	11/15/2011
B	Add new components and DWG template to WEB DWG per DR-00921	5/12/2014
C	UPDATED TO NEW 2019 TEMPLATES	3/1/2019
D	UPDATED DRAWING WITH DOOR RODS WITH ROLLERS PER DR-02257	4/8/2020

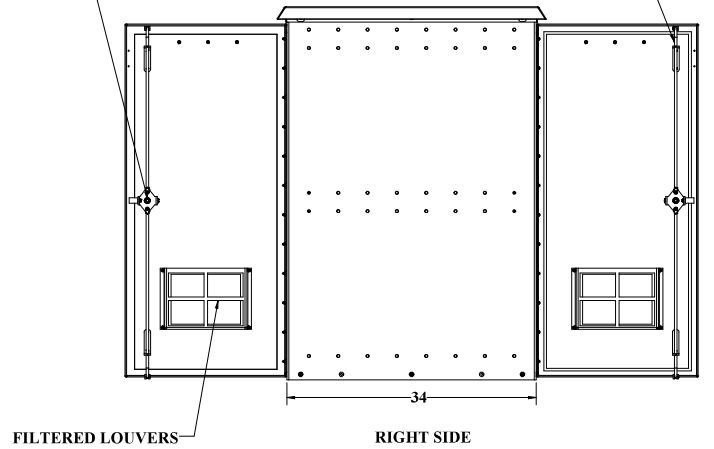


STANDOFFS STANDARD FOR OPTIONAL LIGHTING OVER EACH DOOR



3 POINT LOCKING EACH DOOR

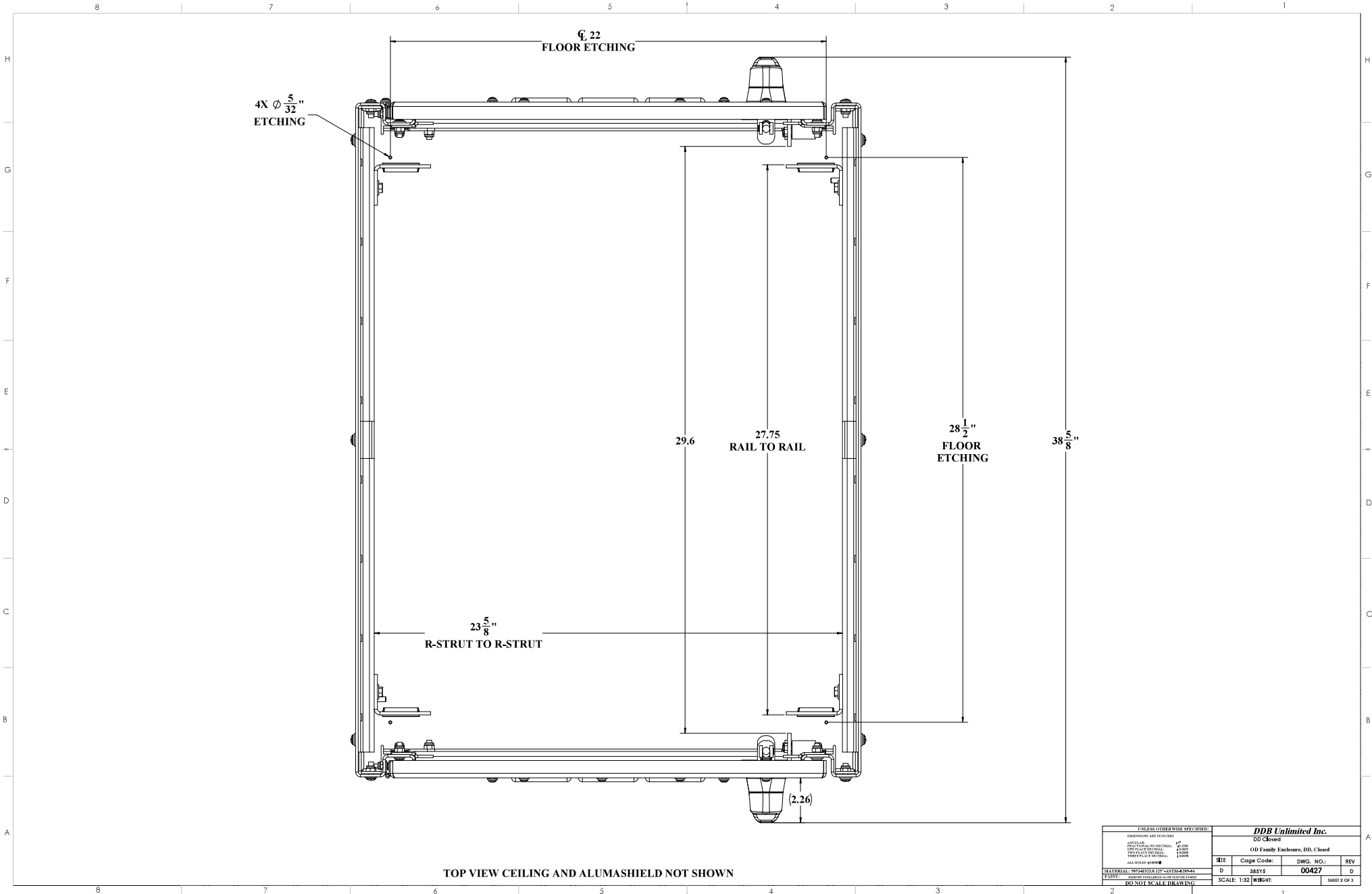
DOOR RODS WITH ROLLERS



WEB DRAWING (NOT FOR FABRICATION)

UNLESS OTHERWISE SPECIFIED:		NAME	DATE	DDB Unlimited Inc.			
CONSTRUCTION LINE OR STYLE	Model No.	0008	11/13/13	OD Family Engineers			
ARTICLE NO.	Drawn by:	zanne	04/08/20	Inclusion: OJD, SU, DTD			
REV. NO. AND DESCRIPTION	DATE						
DATE OF ISSUE	Scale	1:1					
DATE OF REVISION	DATE						
DATE OF CANCEL	DATE						
DATE OF DELETED	DATE						
DATE OF REVISION	DATE						
DATE OF CANCEL	DATE						
DATE OF DELETED	DATE						
DATE OF REVISION	DATE						
DATE OF CANCEL	DATE						
DATE OF DELETED	DATE						
DATE OF REVISION	DATE						
DATE OF CANCEL	DATE						
DATE OF DELETED	DATE						
DATE OF REVISION	DATE						
DATE OF CANCEL	DATE						
DATE OF DELETED	DATE						
DATE OF REVISION	DATE						
DATE OF CANCEL	DATE						
DATE OF DELETED	DATE						
DATE OF REVISION	DATE						
DATE OF CANCEL	DATE						
DATE OF DELETED	DATE						
DATE OF REVISION	DATE						
DATE OF CANCEL	DATE						
DATE OF DELETED	DATE						
DATE OF REVISION	DATE						
DATE OF CANCEL	DATE						
DATE OF DELETED	DATE						
DATE OF REVISION	DATE						
DATE OF CANCEL	DATE						
DATE OF DELETED	DATE						
DATE OF REVISION	DATE						
DATE OF CANCEL	DATE						
DATE OF DELETED	DATE						
DATE OF REVISION	DATE						
DATE OF CANCEL	DATE						
DATE OF DELETED	DATE						
DATE OF REVISION	DATE						
DATE OF CANCEL	DATE						
DATE OF DELETED	DATE						
DATE OF REVISION	DATE						
DATE OF CANCEL	DATE						
DATE OF DELETED	DATE						
DATE OF REVISION	DATE						
DATE OF CANCEL	DATE						
DATE OF DELETED	DATE						
DATE OF REVISION	DATE						
DATE OF CANCEL	DATE						
DATE OF DELETED	DATE						
DATE OF REVISION	DATE						
DATE OF CANCEL	DATE						
DATE OF DELETED	DATE						
DATE OF REVISION	DATE						
DATE OF CANCEL	DATE						
DATE OF DELETED	DATE						
DATE OF REVISION	DATE						
DATE OF CANCEL	DATE						
DATE OF DELETED	DATE						
DATE OF REVISION	DATE						
DATE OF CANCEL	DATE						
DATE OF DELETED	DATE						
DATE OF REVISION	DATE						
DATE OF CANCEL	DATE						
DATE OF DELETED	DATE						
DATE OF REVISION	DATE						
DATE OF CANCEL	DATE						
DATE OF DELETED	DATE						
DATE OF REVISION	DATE						
DATE OF CANCEL	DATE						
DATE OF DELETED	DATE						
DATE OF REVISION	DATE						
DATE OF CANCEL	DATE						
DATE OF DELETED	DATE						
DATE OF REVISION	DATE						
DATE OF CANCEL	DATE						
DATE OF DELETED	DATE						
DATE OF REVISION	DATE						
DATE OF CANCEL	DATE						
DATE OF DELETED	DATE						
DATE OF REVISION	DATE						
DATE OF CANCEL	DATE						
DATE OF DELETED	DATE						
DATE OF REVISION	DATE						
DATE OF CANCEL	DATE						
DATE OF DELETED	DATE						
DATE OF REVISION	DATE						
DATE OF CANCEL	DATE						
DATE OF DELETED	DATE						
DATE OF REVISION	DATE						
DATE OF CANCEL	DATE						
DATE OF DELETED	DATE						
DATE OF REVISION	DATE						
DATE OF CANCEL	DATE						
DATE OF DELETED	DATE						
DATE OF REVISION	DATE						
DATE OF CANCEL	DATE						
DATE OF DELETED	DATE						
DATE OF REVISION	DATE						
DATE OF CANCEL	DATE						
DATE OF DELETED	DATE						
DATE OF REVISION	DATE						
DATE OF CANCEL	DATE						
DATE OF DELETED	DATE						
DATE OF REVISION	DATE						
DATE OF CANCEL	DATE						
DATE OF DELETED	DATE						
DATE OF REVISION	DATE						
DATE OF CANCEL	DATE						
DATE OF DELETED	DATE						
DATE OF REVISION	DATE						
DATE OF CANCEL	DATE						
DATE OF DELETED	DATE						
DATE OF REVISION	DATE						
DATE OF CANCEL	DATE						
DATE OF DELETED	DATE						
DATE OF REVISION	DATE						
DATE OF CANCEL	DATE						
DATE OF DELETED	DATE						
DATE OF REVISION	DATE						
DATE OF CANCEL	DATE						
DATE OF DELETED	DATE						
DATE OF REVISION	DATE						
DATE OF CANCEL	DATE						
DATE OF DELETED	DATE						
DATE OF REVISION	DATE						
DATE OF CANCEL	DATE						
DATE OF DELETED	DATE						
DATE OF REVISION	DATE						
DATE OF CANCEL	DATE						
DATE OF DELETED	DATE						
DATE OF REVISION	DATE						
DATE OF CANCEL	DATE						
DATE OF DELETED	DATE						
DATE OF REVISION	DATE						
DATE OF CANCEL	DATE						
DATE OF DELETED	DATE						
DATE OF REVISION	DATE						
DATE OF CANCEL	DATE						
DATE OF DELETED	DATE						
DATE OF REVISION	DATE						
DATE OF CANCEL	DATE						
DATE OF DELETED	DATE						
DATE OF REVISION	DATE						
DATE OF CANCEL	DATE						
DATE OF DELETED	DATE						
DATE OF REVISION	DATE						
DATE OF CANCEL	DATE						
DATE OF DELETED	DATE						
DATE OF REVISION	DATE						
DATE OF CANCEL	DATE						
DATE OF DELETED	DATE						
DATE OF REVISION	DATE						
DATE OF CANCEL	DATE						
DATE OF DELETED	DATE						
DATE OF REVISION	DATE						
DATE OF CANCEL	DATE						
DATE OF DELETED	DATE						
DATE OF REVISION	DATE						
DATE OF CANCEL	DATE						
DATE OF DELETED	DATE						
DATE OF REVISION	DATE						
DATE OF CANCEL	DATE						
DATE OF DELETED	DATE						
DATE OF REVISION	DATE						
DATE OF CANCEL	DATE						
DATE OF DELETED	DATE						
DATE OF REVISION	DATE						
DATE OF CANCEL	DATE						
DATE OF DELETED	DATE						
DATE OF REVISION	DATE						
DATE OF CANCEL	DATE						
DATE OF DELETED	DATE						
DATE OF REVISION	DATE						
DATE OF CANCEL	DATE						
DATE OF DELETED	DATE						
DATE OF REVISION	DATE						
DATE OF CANCEL	DATE						
DATE OF DELETED	DATE						
DATE OF REVISION	DATE						
DATE OF CANCEL	DATE						
DATE OF DELETED	DATE						
DATE OF REVISION	DATE						
DATE OF CANCEL	DATE						
DATE OF DELETED	DATE						
DATE OF REVISION	DATE						
DATE OF CANCEL	DATE						
DATE OF DELETED	DATE						
DATE OF REVISION	DATE						
DATE OF CANCEL	DATE						
DATE OF DELETED	DATE						
DATE OF REVISION	DATE						
DATE OF CANCEL	DATE						
DATE OF DELETED	DATE						
DATE OF REVISION	DATE						
DATE OF CANCEL	DATE						
DATE OF DELETED	DATE						
DATE OF REVISION	DATE						
DATE OF CANCEL	DATE						
DATE OF DELETED	DATE						
DATE OF REVISION	DATE						
DATE OF CANCEL	DATE						
DATE OF DELETED	DATE						
DATE OF REVISION	DATE						
DATE OF CANCEL	DATE						
DATE OF DELETED	DATE						
DATE OF REVISION	DATE						
DATE OF CANCEL	DATE						
DATE OF DELETED	DATE						
DATE OF REVISION	DATE						
DATE OF CANCEL	DATE						
DATE OF DELETED	DATE						
DATE OF REVISION	DATE						
DATE OF CANCEL	DATE						
DATE OF DELETED	DATE						
DATE OF REVISION	DATE						
DATE OF CANCEL	DATE						
DATE OF DELETED	DATE						
DATE OF REVISION	DATE						
DATE OF CANCEL	DATE						
DATE OF DELETED	DATE						
DATE OF REVISION	DATE						
DATE OF CANCEL	DATE						
DATE OF DELETED	DATE						
DATE OF REVISION	DATE						
DATE OF CANCEL	DATE						
DATE OF DELETED	DATE						
DATE OF REVISION	DATE						
DATE OF CANCEL	DATE						
DATE OF DELETED	DATE						
DATE OF REVISION	DATE						
DATE OF CANCEL	DATE						
DATE OF DELETED	DATE						
DATE OF REVISION	DATE						
DATE OF CANCEL	DATE						
DATE OF DELETED	DATE						
DATE OF REVISION	DATE						
DATE OF CANCEL	DATE						
DATE OF DELETED	DATE						
DATE OF REVISION	DATE						
DATE OF CANCEL	DATE						
DATE OF DELETED	DATE						
DATE OF REVISION	DATE						
DATE OF CANCEL	DATE						
DATE OF DELETED	DATE						
DATE OF REVISION	DATE						
DATE OF CANCEL	DATE						
DATE OF DELETED	DATE						
DATE OF REVISION	DATE						
DATE OF CANCEL	DATE						
DATE OF DELETED	DATE						
DATE OF REVISION	DATE						
DATE OF CANCEL	DATE						
DATE OF DELETED	DATE						
DATE OF REVISION	DATE						
DATE OF CANCEL	DATE						
DATE OF DELETED	DATE						
DATE OF REVISION	DATE						
DATE OF CANCEL	DATE						
DATE OF DELETED	DATE						
DATE OF REVISION	DATE						
DATE OF CANCEL	DATE						
DATE OF DELETED	DATE						
DATE OF REVISION							

DDB FORM 7.1-2 REV. A (08/02/17)

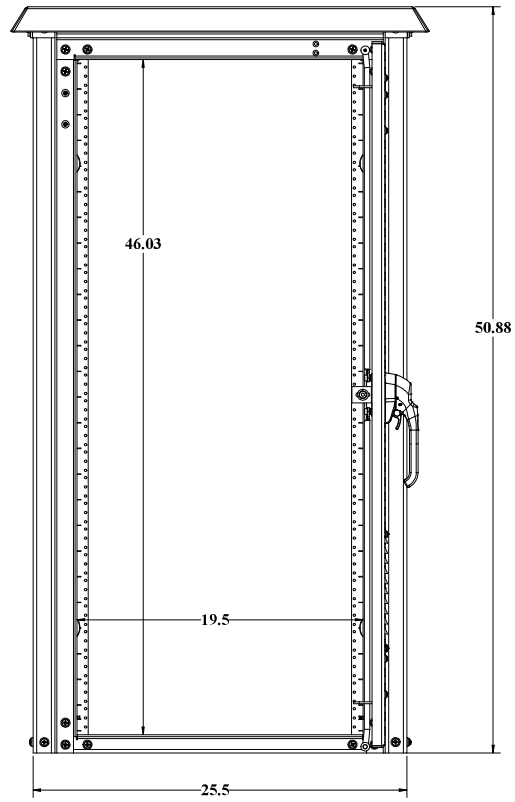


UNLESS OTHERWISE SPECIFIED:			
DIMENSIONS ARE IN INCHES			
FINISH	1"	2"	4"
DRILLING	AS SHOWN	AS SHOWN	AS SHOWN
TOLERANCE	±.005	±.010	±.015
WELDING	AS SHOWN	AS SHOWN	AS SHOWN
PAINT	AS SHOWN	AS SHOWN	AS SHOWN
DO NOT SCALE DRAWING			
DDB Unlimited Inc.			
DDB Corp			
601 Family Kitchens, BD, Cleveland			
REV	Code Code:	DWG. NO.:	REV
D	28515	00427	D
SCALE: 1:32		W/BHT:	SHEET 2 OF 3

UNCLASSIFIED PUBLIC
 THE INFORMATION CONTAINED IN THIS DRAWING IS THE SOLE PROPERTY OF DDB Unlimited, INC. ANY
 REPRODUCTION IN PART OR AS A WHOLE WITHOUT THE WRITTEN PERMISSION OF DDB Unlimited, INC. IS PROHIBITED.

File Location: (DDB) (EPDM Vault)
 C:\DDB\Drawing Request\Customers\WEB DWG\CD Family WEB DWG\CD (05-500D)\

DDB FORM 7.1-2 REV. A (08/02/17)



BACK VIEW GASKET NOT SHOWN

UNLESS OTHERWISE SPECIFIED:			
DDB Unlimited Inc.			
OS-5000			
Inch/mm: 0/ 50, 100			
DESCRIPTION OF FINISH	1" / 25.4		
PROTECTIVE COATING	1000		
PROTECTIVE FINISH	1000		
PROTECTIVE FINISH	1000		
ALL OTHERS	1000		
MATERIALS SPECIFICATIONS: LATEST REVISIONS			
PAINT	1000		
DO NOT SCALE DRAWING			
REV	Code Code:	DWG. NO.:	REV
D	28515	00427	D
SCALE: 1:32		WEIGHT:	SHEET 2 OF 3

UNCLASSIFIED PUBLIC
THE INFORMATION CONTAINED IN THIS DRAWING IS THE SOLE PROPERTY OF DDB Unlimited, INC. ANY REPRODUCTION IN PART OR AS A WHOLE WITHOUT THE WRITTEN PERMISSION OF DDB Unlimited, INC. IS PROHIBITED.

File Location: (DDB) EPDM Vault
C:\DDB\Drawing Request\Customers\1218 WEB DWG\CD Family WEB\DR-00427 (OS-5000)\