

Why Choose the ST Series?

The ST series of enclosures are the ultimate choice for your indoor racking requirements. Being made of our own rugged Alumiflex®, you'll find it noticeably lighter than steel, yet strong enough to rack even the heaviest equipment. When choosing the ST series, you have handpicked the highest value in American construction. The ST-30DD includes the standard features you have come to expect with DDB, incorporating the versatile strut system for adjustable racking, the security of a lockable slam-latch system and easy clean filters. For those who need more than just our standard enclosure, DDB can also make a truly customized solution with our many available options including fan kits, heater strips, mounting trays, & cable management. All of this comes together to create an enclosure able to meet all of the unique needs our customers have been seeking. DDB offers a state-of-the-art design, a competitive price, benchmark lead times and a guaranteed delivery, all backed up with an industry leading 15-year warranty on every enclosure. Put DDB's substantial stock to work for you today. Contact our professional staff to assist you with your made-to-order solution.



Features

- 15 Year Warranty
- 0.100" Aluminum Construction
- Stainless Steel External Hardware/Hinge
- Lockable Slam-Latch
- Heavy Duty Indoor Construction
- Front and Rear Access
- Cream Powder-Coat, Standard
- Flexible and Scalable
- Quick Shipping

Application Types

- | | |
|-----------------------------|--------------|
| Telecommunications | Utility |
| Wireless/Broadband | Military |
| Fiber Optics | Base Station |
| Data Centers | Backhaul |
| Server rooms | Wi-Fi |
| Small Cell/DAS | LTEE/4G/5G |
| Trailer-Base Communications | |
| Public Safety | |



Environmental & Safety Ratings:

✓ NEMA 2

Weight and Dimensions

- Approximate Exterior Enclosure Dimensions:
30"H x 24"W x 34"D
- Shipping Dimensions:
32"W x 42"L -Palletized
- Approximate Shipping Weight:
103 lbs.

2301 S. HWY 77 Pauls Valley, OK 73075
T: (405)-665-2876

sales@ddbunlimited.com www.ddbunlimited.com

ST Series

ST-30DD



Features

1. 0.100" Aluminum Construction
2. Lockable Slam-Latch
3. Reusable Foam Filters
4. Stainless Steel Door Hinge
5. 19" Adjustable Racking Rails
6. Rear Door Access
7. Powder Coat Cream

2301 S. HWY 77 Pauls Valley, OK 73075
T: (405)-665-2876

sales@ddbunlimited.com www.ddbunlimited.com

Scan this code for
Climate Control

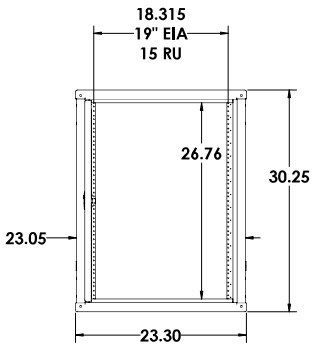
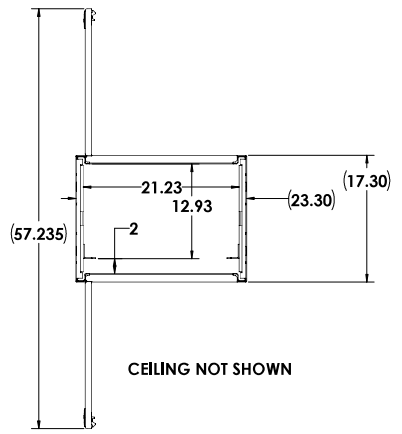
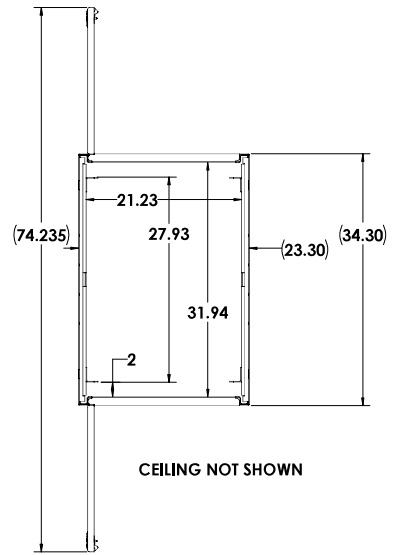
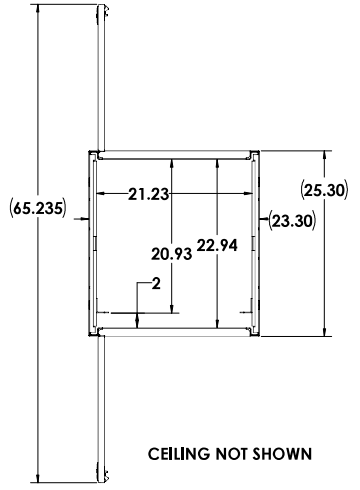
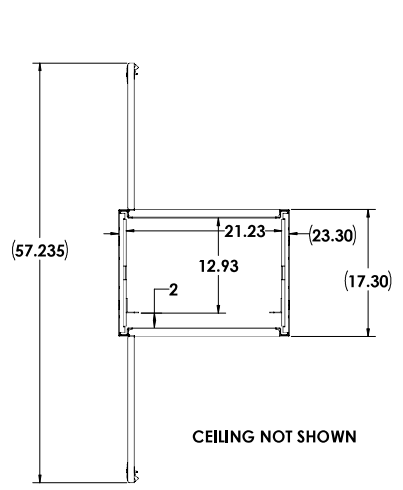


Scan this code for
Accessories

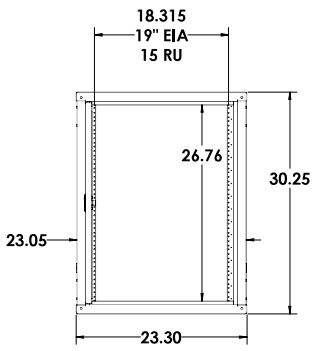


8 7 6 5 4 3 2 1

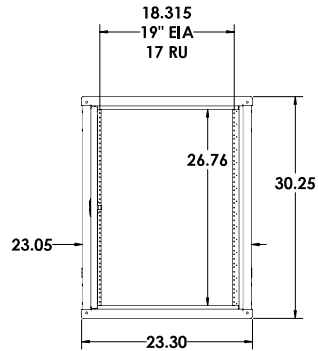
H
G
F
E
D
C
B
A



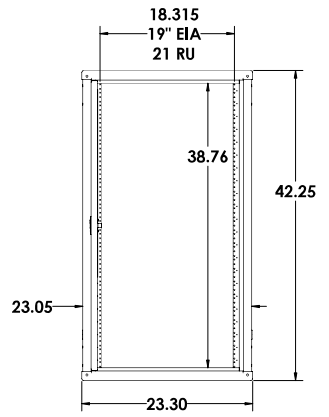
ST-30D



ST-30DX



ST-30DD



IOD-42D

- 30D DIAMOND VOGEL, BEIGE GLOSS TEXTURE ET-8320
- 30DX DIAMOND VOGEL, BEIGE GLOSS TEXTURE ET-8320
- 30DD DIAMOND VOGEL, BEIGE GLOSS TEXTURE ET-8320
- 42D DIAMOND VOGEL, BEIGE GLOSS TEXTURE ET-8320
- 42DX DIAMOND VOGEL, BEIGE GLOSS TEXTURE ET-8320
- 42DD DIAMOND VOGEL, BEIGE GLOSS TEXTURE ET-8320
- 62DXB DIAMOND VOGEL, BLACK RIVER TEXTURE ET-9384

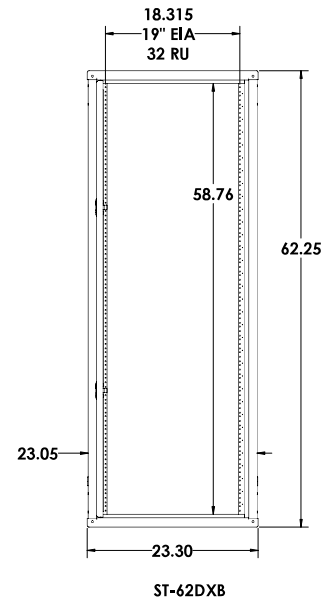
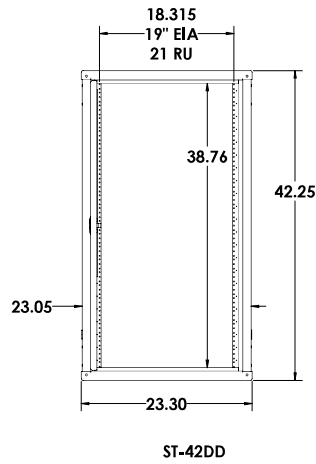
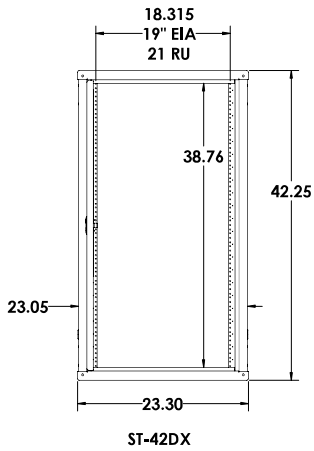
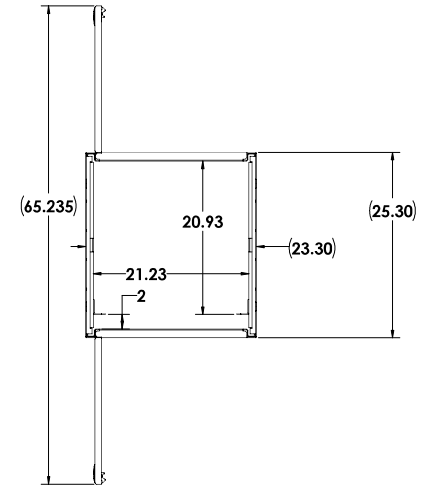
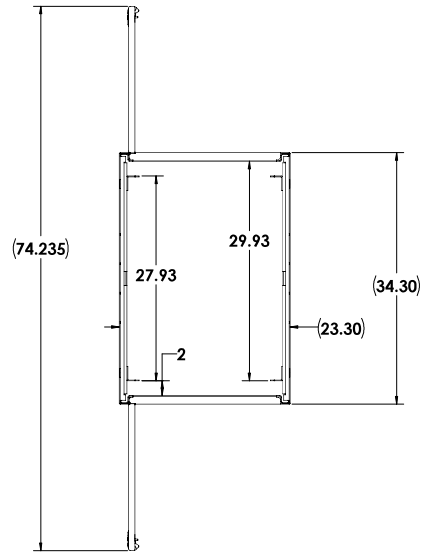
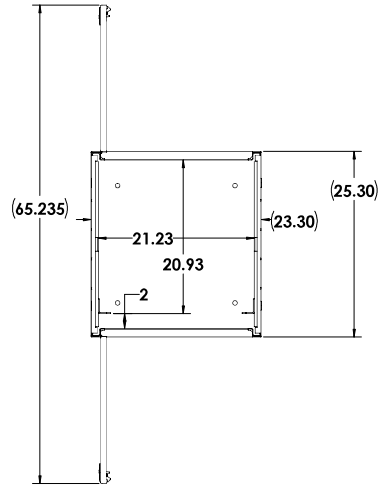
<small>UNLESS OTHERWISE SPECIFIED: DIMENSIONS ARE IN INCHES</small>		DDB Unlimited Inc. 300	
<small>PROJECT: DATE: 08/19/24 DRAWN BY: [REDACTED] CHECKED BY: [REDACTED] SCALE: 1/8"</small>	<small>DATE: 08/19/24 DRAWN BY: [REDACTED] CHECKED BY: [REDACTED] SCALE: 1/8"</small>	<small>DWG. NO.: 00070</small>	<small>REV: E</small>
<small>SCALE: 1/8" WEIGHT: 47 lbs.</small>		<small>SHEET 3 OF 4</small>	

UNCLASSIFIED PUBLIC

08/19/24

8 7 6 5 4 3 2 1

H
G
F
E
D
C
B
A



DDB Unlimited Inc. 420D	
REV	Code Code: DWG. NO.: REV
D	28515 00070
SCALE: 1:8 WEIGHT: 12 lbs. SHEET 4 OF 4	

PROPRIETARY AND CONFIDENTIAL
 THE INFORMATION CONTAINED IN THIS DRAWING IS THE SOLE PROPERTY OF DDB Unlimited, INC. ANY
 REPRODUCTION IN PART OR AS A WHOLE WITHOUT THE WRITTEN PERMISSION OF DDB Unlimited, INC. IS PROHIBITED.

File Location: (DDB)\EPDM Vault\ C:\DDB\DR Requests\Customers\DDB WEB DWG\151-XXXX\

08/19/24