



Why Choose the ST Series?

The ST series of enclosures are the ultimate choice for your indoor racking requirements. Being made of our own rugged Alumiflex®, you'll find it noticeably lighter than steel, yet strong enough to rack even the heaviest equipment. When choosing the ST series, you have handpicked the highest value in American construction. The ST-30DX includes the standard features you have come to expect with DDB, incorporating the versatile strut system for adjustable racking, the security of a lockable slam-latch system and easy clean filters. For those who need more than just our standard enclosure, DDB can also make a truly customized solution with our many available options including fan kits, heater strips, mounting trays, & cable management. All of this comes together to create an enclosure able to meet all of the unique needs our customers have been seeking. DDB offers a state-of-the-art design, a competitive price, benchmark lead times and a guaranteed delivery, all backed up with an industry leading 15-year warranty on every enclosure. Put DDB's substantial stock to work for you today. Contact our professional staff to assist you with your made-to-order solution.



Features

- 15 Year Warranty
- 0.100" Aluminum Construction
- Stainless Steel External Hardware/Hinge
- Lockable Slam-Latch
- Heavy Duty Indoor Construction
- Front and Rear Access
- Cream Powder-Coat, Standard
- Flexible and Scalable
- Quick Shipping

Application Types

- | | |
|-----------------------------|--------------|
| Telecommunications | Utility |
| Wireless/Broadband | Military |
| Fiber Optics | Base Station |
| Data Centers | Backhaul |
| Server rooms | Wi-Fi |
| Small Cell/DAS | LTEE/4G/5G |
| Trailer-Base Communications | |
| Public Safety | |



Environmental & Safety Ratings:

✓ NEMA 2

Weight and Dimensions

- Approximate Exterior Enclosure Dimensions:
30"H x 23"W x 25"D
- Shipping Dimensions:
32"W x 42"L Palletized
- Approximate Shipping Weight:
93 lbs.

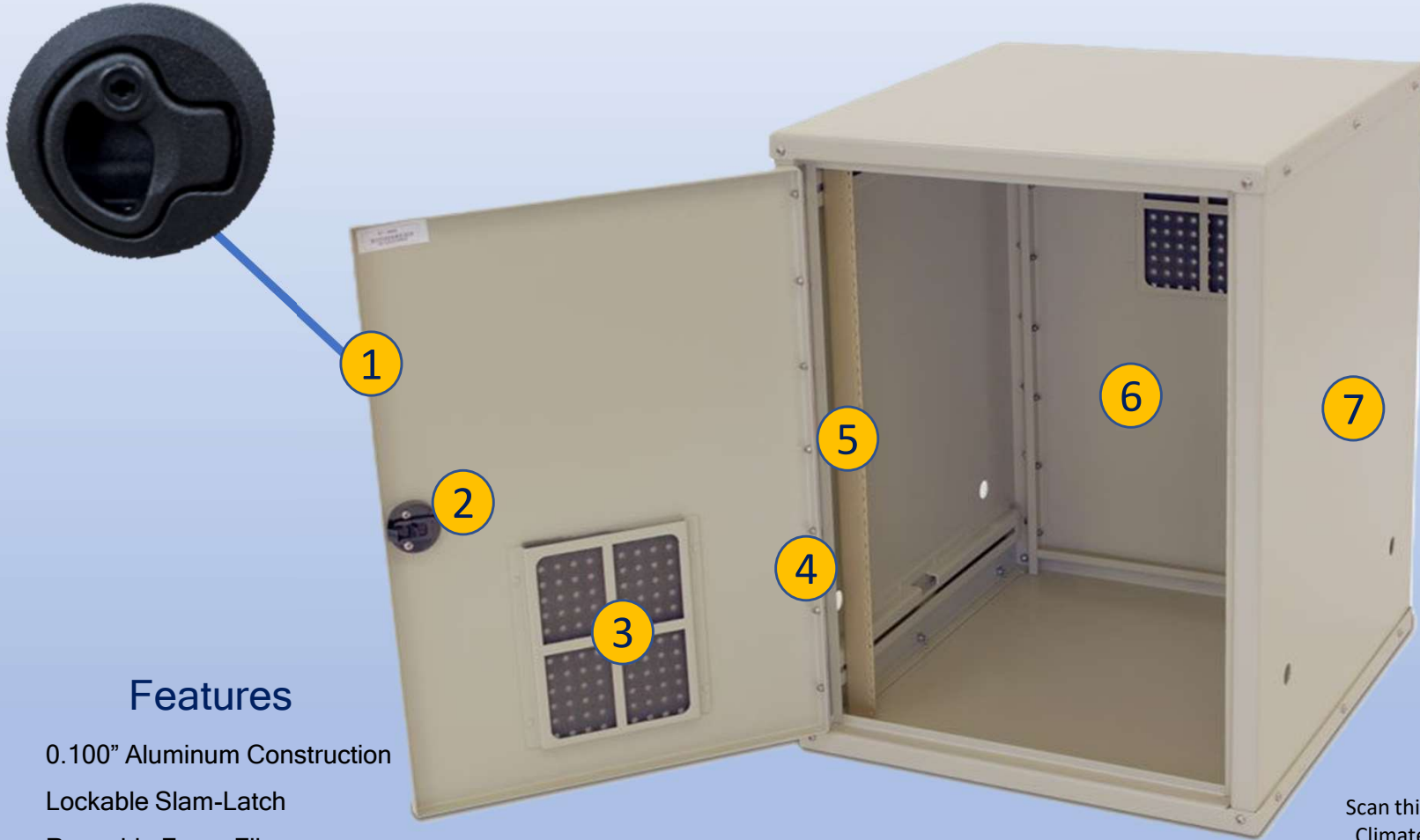
2301 S. HWY 77 Pauls Valley, OK 73075

T: (405)-665-2876

sales@ddbunlimited.com www.ddbunlimited.com

ST Series

ST-30DX



Features

1. 0.100" Aluminum Construction
2. Lockable Slam-Latch
3. Reusable Foam Filters
4. Stainless Steel Door Hinge
5. 19" Adjustable Racking Rails
6. Rear Door Access
7. Powder Coat Cream

2301 S. HWY 77 Pauls Valley, OK 73075
T: (405)-665-2876

sales@ddbunlimited.com www.ddbunlimited.com

Scan this code for
Climate Control

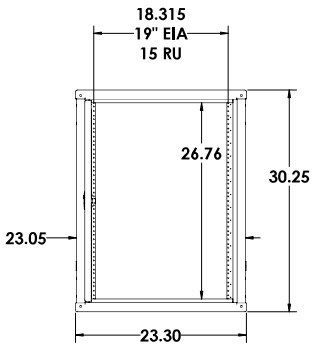
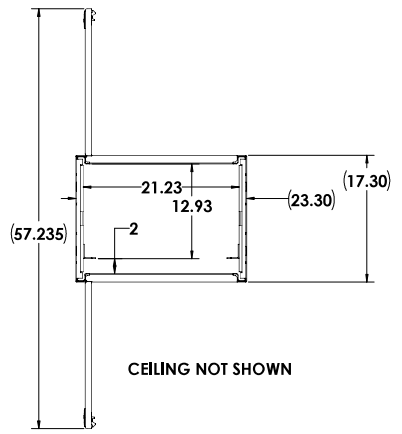
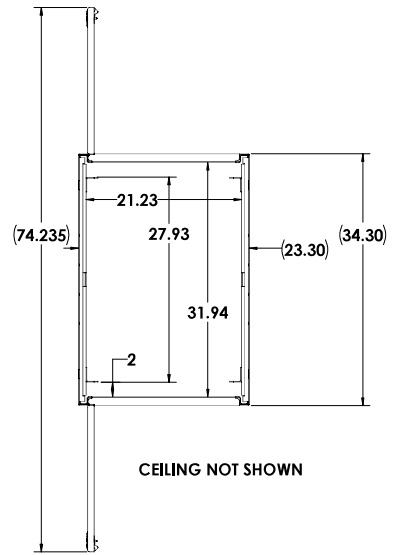
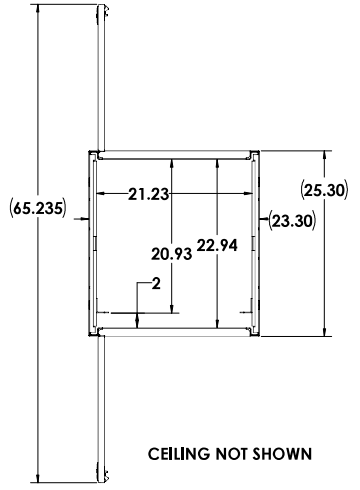
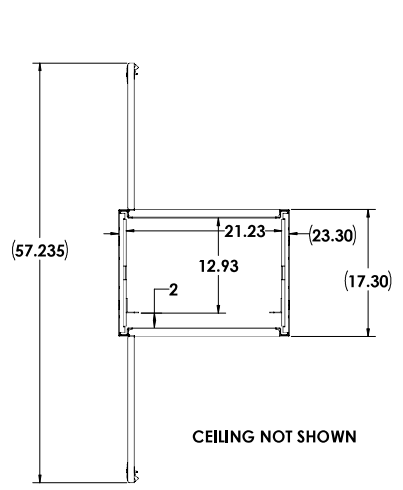


Scan this code for
Accessories

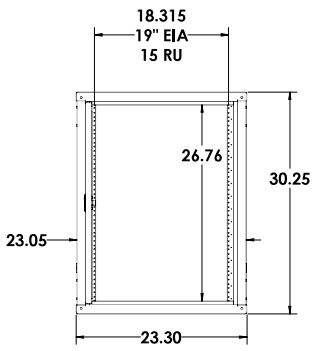


8 7 6 5 4 3 2 1

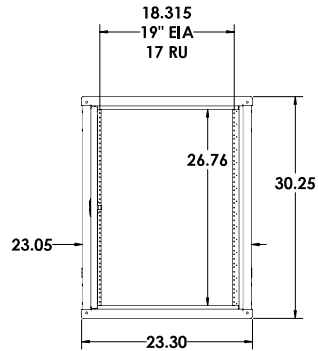
H
G
F
E
D
C
B
A



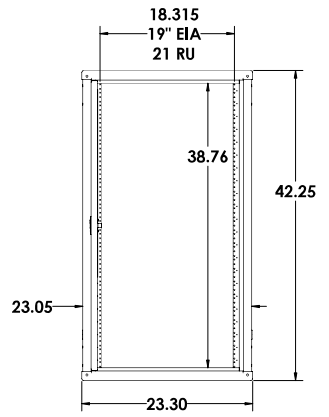
ST-30D



ST-30DX



ST-30DD



IOD-42D

- 30D DIAMOND VOGEL, BEIGE GLOSS TEXTURE ET-8320
- 30DX DIAMOND VOGEL, BEIGE GLOSS TEXTURE ET-8320
- 30DD DIAMOND VOGEL, BEIGE GLOSS TEXTURE ET-8320
- 42D DIAMOND VOGEL, BEIGE GLOSS TEXTURE ET-8320
- 42DX DIAMOND VOGEL, BEIGE GLOSS TEXTURE ET-8320
- 42DD DIAMOND VOGEL, BEIGE GLOSS TEXTURE ET-8320
- 62DXB DIAMOND VOGEL, BLACK RIVER TEXTURE ET-9384

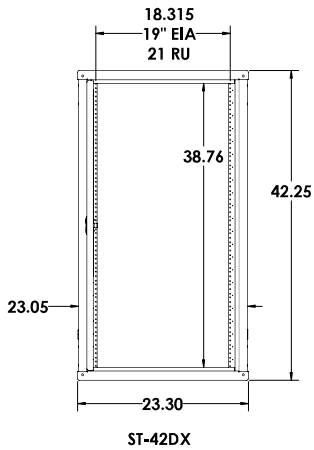
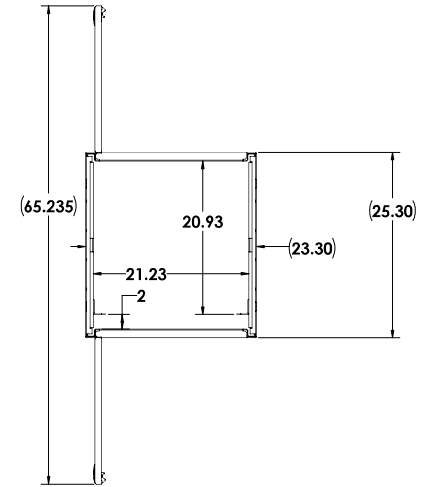
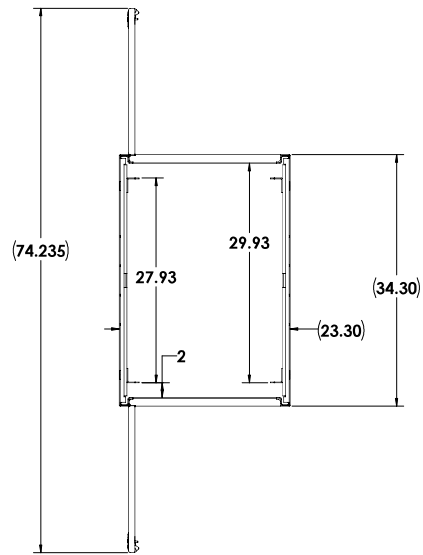
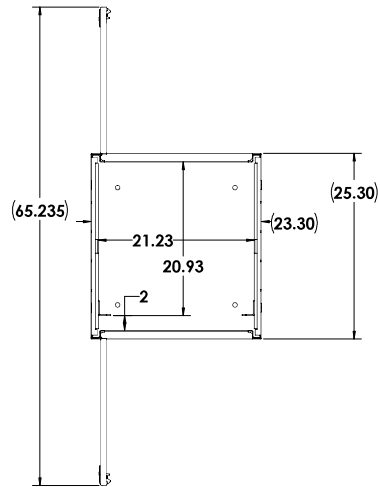
<small>UNLESS OTHERWISE SPECIFIED: DIMENSIONS ARE IN INCHES</small>		DDB Unlimited Inc. 300	
<small>PROJECT: DATE OF THIS DRAWING: 01/17/24 DRAWN BY: [REDACTED] CHECKED BY: [REDACTED] SCALE: 1/8" = 1'-0"</small>	<small>REV:</small> D	<small>Code Code:</small> 38515	<small>DWG. NO.:</small> 00070
<small>DATE: 01/17/24</small>	<small>SCALE: 1/8"</small>	<small>WEIGHT: 47 lbs.</small>	<small>REV:</small> E SHEET 3 OF 4
<small>DO NOT SCALE DRAWING</small>			

UNCLASSIFIED PUBLIC

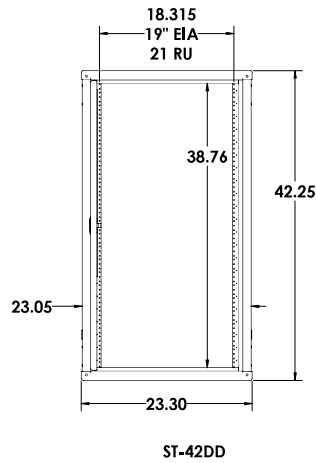
01/19/24

8 7 6 5 4 3 2 1

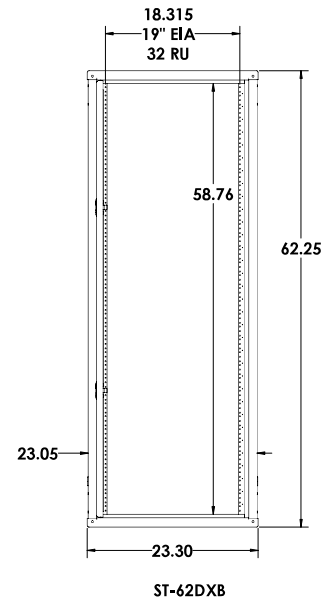
H
G
F
E
D
C
B
A



ST-42DX



ST-42DD



ST-62DXB

DDB Unlimited Inc. 4200 10000 W. 10th Ave. Suite 100 Denver, CO 80202 Phone: (303) 751-1000 Fax: (303) 751-1001 Email: sales@databases.com Website: www.databases.com		DDB Unlimited Inc. 4200 SHEET Code: DWG. NO.: REV D 28515 00070 E SCALE: 1:8 WEIGHT: 12 lbs. SHEET 4 of 4	
ALL RIGHTS RESERVED THIS DRAWING IS THE PROPERTY OF DDB UNLIMITED, INC. ANY REPRODUCTION IN PART OR AS A WHOLE WITHOUT THE WRITTEN PERMISSION OF DDB UNLIMITED, INC. IS PROHIBITED.		DO NOT SCALE DRAWING	

PROPRIETARY AND CONFIDENTIAL
 THE INFORMATION CONTAINED IN THIS DRAWING IS THE SOLE PROPERTY OF DDB UNLIMITED, INC. ANY REPRODUCTION IN PART OR AS A WHOLE WITHOUT THE WRITTEN PERMISSION OF DDB UNLIMITED, INC. IS PROHIBITED.

File Location: (DDB)\EPDM Vault\ C:\DDB\DR Requests\Customers\DDB WEB DWG\151-0000\

08/19/24